

14RR-48-4+1-PARASPIN  
 Width 59.4 in. Depth 48 in. Height 62.2 in.  
 Load: Flange 48 in. Traverse 8.3 in. Drum 16 in.  
 G: Flange 48 in. Traverse 7 in. Drum 16 in.  
 Empty Weight: 1,085 lb.

## Reduce Unproductive Labor

Let Anixter install pulling eyes onto each layer. By doing so, you'll:

- Reduce the need for jobsite tooling
- Eliminate the need to order, receive, store and retrieve yes
- Increase quality, because eyes are installed in clean, controlled environments.

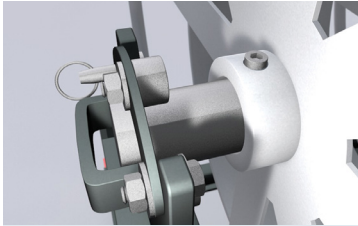
The 4 & 1 Enhanced PARASPIN<sup>SM</sup> reels have four fixed chambers and one independently rotating chamber that allows the simultaneous pulling of the load conductors and a reduced diameter ground wire. Our Enhanced PARASPIN solutions are shipped on their own reel caddy and have removable casters for easy set up at the job site.

- Allows for simultaneous pulls
- Eliminates disposal costs with returnable reel and caddies
- Facilitates easy set up with cable caddy
- Accommodates two cables of different diameters
- Comes with rolling casters available in select locations

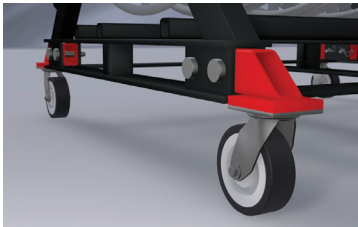
AWG THHN	CABLE DIAMETER	4+1 ParaSpin	
		5 COMPARTMENT	
		14RR-48-4+1-PARASPIN	
		LOAD X4	GROUND X1
8	0.23	17,790	15,022
6	0.25	15,058	12,714
4	0.33	8,642	7,297
2	0.39	6,187	5,225
1	0.45	4,647	3,924
1/0	0.50	3,764	3,179
2/0	0.54	3,227	2,725
3/0	0.60	2,614	2,207
4/0	0.66	2,160	1,824
250	0.72	1,815	1,533
300	0.77	1,587	1,340
350	0.83	1,366	1,154
400	0.87	1,243	1,050
500	0.96	1,021	862
600	1.06	838	707
750	1.17	687	581

Reels must be returned to Anixter in good working condition or there will be a \$3,500 charge.

# 4+1 ENHANCED PARASPIN REEL



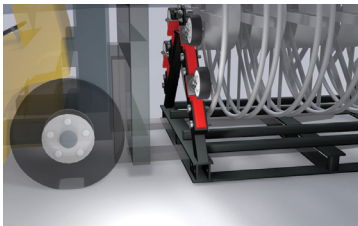
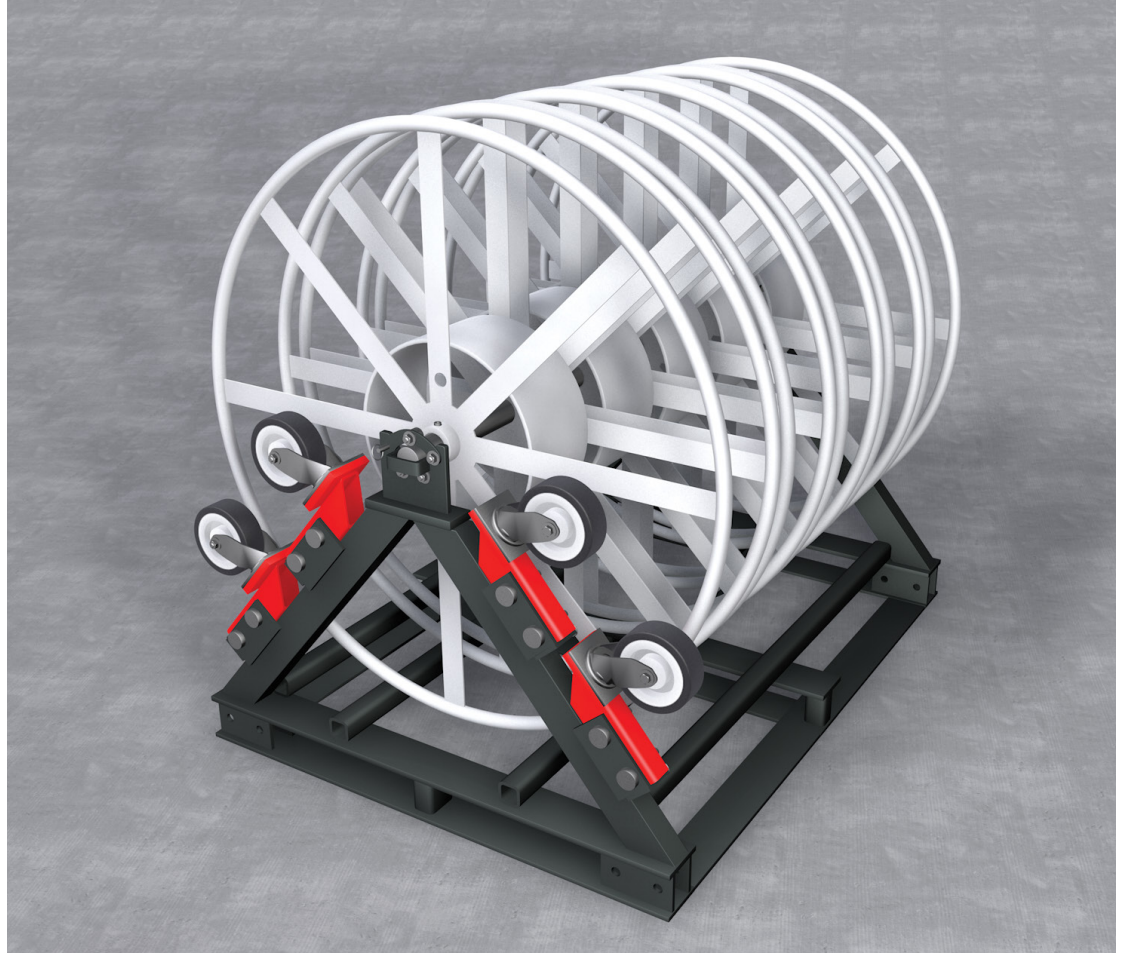
Rollers on stand provide easy spinning of reel shaft.



Removable casters make for easy mobility on smooth surfaces.



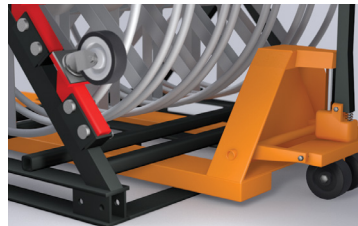
Reels are shipped with the casters removed to prevent damage.



Fork brackets allow lifting from side for easy mobility in tight spaces.



Two reels can fit side by side in a standard box trailer, reducing freight.



Fork brackets provide stability and are spaced to allow lifting with pallet jack.



48-in. chamber diameter allows for a greater fill rate.

**About Anixter:** [anixter.com/aboutus](http://anixter.com/aboutus)  
**Legal Statement:** [anixter.com/legalstatement](http://anixter.com/legalstatement)

15D4445 © 2015 Anixter Inc. · 01/15

## Anixter Inc. World Headquarters

2301 Patriot Boulevard  
Glenview, Illinois 60026  
224.521.8000

1.800.ANIXTER | [anixter.com](http://anixter.com)



Products. Technology. Services. Delivered Globally.