

## Product Guide

# SONOS



## PLAYBAR

THIS DOCUMENT CONTAINS INFORMATION THAT IS SUBJECT TO CHANGE WITHOUT NOTICE.

No part of this publication may be reproduced or transmitted in any form or by any means, electronic or mechanical, including but not limited to photocopying, recording, information retrieval systems, or computer network without the written permission of Sonos, Inc. Sonos and all other Sonos product names and slogans are trademarks or registered trademarks of Sonos, Inc. Sonos Reg. U.S. Pat. & Tm. Off.

Sonos products may be protected by one or more patents. Our patent-to-product information can be found here:

**[sonos.com/legal/patents](http://sonos.com/legal/patents)**

AirPlay®, Apple Music™, FairPlay®, iPad®, iPhone®, iPod®, iTunes®, and OS X®, are trademarks of Apple Inc., registered in the U.S. and other countries.

"Made for iPod", "Made for iPhone", and "Made for iPad" mean that an electronic accessory has been designed to connect specifically to iPod, iPhone, or iPad, respectively, and has been certified by the developer to meet Apple performance standards. Apple is not responsible for the operation of this device or its compliance with safety and regulatory standards. Please note that the use of this accessory with iPod, iPhone, or iPad may affect wireless performance.

Windows® is a registered trademark of Microsoft Corporation in the United States and other countries.

Android™ is a trademark of Google, Inc.

Manufactured under license from Dolby Laboratories. Dolby and the double-D symbol are trademarks of Dolby Laboratories.

Amazon, Kindle, Kindle Fire, the Amazon Kindle logo and the Kindle Fire logo are trademarks of Amazon.com, Inc. or its affiliates.

Sonos uses MSNTP software, which was developed by N.M. Maclaren at the University of Cambridge.

© Copyright, N.M. Maclaren, 1996, 1997, 2000; © Copyright, University of Cambridge, 1996, 1997, 2000.

All other products and services mentioned may be trademarks or service marks of their respective owners.

October 2017

©2004-2017 by Sonos, Inc. All rights reserved.

# Sonos PLAYBAR

Flood any room with epic, full-theater HiFi sound and wirelessly stream all the music on earth through one easy-to-use player.

- Sophisticated 9-speaker design
- Connects to your TV using a single optical cable and plays everything that's connected to the TV, including cable boxes and game consoles
- Can be placed flat on a TV stand or mounted horizontally above or below the TV
- Compatible with Dolby® Digital and stereo

It takes just a few minutes to get your PLAYBAR® up and running—see **What's required** to get started. Once you've got it set up, you can add additional Sonos products any time.

## What's in the box

- Sonos PLAYBAR
- Power Cord
- 5 ft. /1.5m TOSLINK Optical Audio Cable
- Ethernet Cable
- Quick Start Guide
- Important Product Information Booklet

## What's required

### Television

The PLAYBAR is compatible with any television that has an optical digital audio output.

### Home network

To use the Sonos app, your device must be on the same network as Sonos. If you need help, please go to <http://faq.sonos.com/notfound>.

### Requirements

To access music services, Internet radio, and music stored on your computer or Network-Attached Storage (NAS) device, make sure your network meets these requirements.

**Note:** Make sure your network has a high-speed Internet connection because Sonos is designed to provide you with free, online software updates. Your Sonos system must be registered to receive these updates so **be sure to register** during the setup process. We do not share your e-mail address with other companies.

- High-speed DSL/cable modem, or fiber-to-the-home broadband connection for proper playback of music services. (If your Internet service provider only offers satellite Internet access, you may experience

playback issues due to fluctuating download rates.)

- If your modem isn't a modem/router combination and you want to take advantage of Sonos' automatic online updates or use a streaming music service, you'll need to install a wireless router before setting up Sonos.

**Note:** Sonos communicates over a 2.4GHz home network supporting 802.11 b/g/n wireless technology. 802.11n only network configurations are not supported—you can either change the router settings to 802.11 b/g/n or connect a Sonos product to your router.

- Connect a Sonos BOOST or speaker to your router if:
  - You have a larger home where the Wi-Fi performance isn't reliable and you want to strengthen the wireless performance of your Sonos system.
  - Your Wi-Fi network is already in high demand with streaming video and web surfing and you want to create a separate wireless network exclusively for your Sonos speakers.
  - Your network is 5GHz only (not switchable to 2.4GHz).
  - You have configured your router to support only 802.11n and can't change the settings to support 802.11 b/g/n.
- For best results, you should connect the computer or NAS drive that contains your personal music library collection to your network router using an Ethernet cable.

## Sonos App

Download the free Sonos app to any compatible device:

- **Sonos app (iOS)**—iPhone, iPad and iPod touch running iOS 9.0 or later
- **Sonos app (Android)**—Android 4.3 and higher
- **Sonos app (PC)**—Windows® 7 and higher
- **Sonos app (Mac)**—Macintosh® OS X 10.10 or later

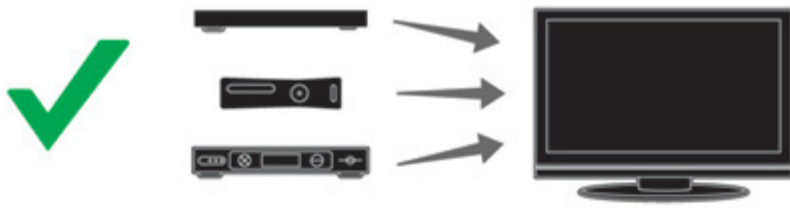
Get the app for your computer at [www.sonos.com/support/downloads](http://www.sonos.com/support/downloads).

For the latest system requirements and compatible audio formats, go to <http://faq.sonos.com/specs>.

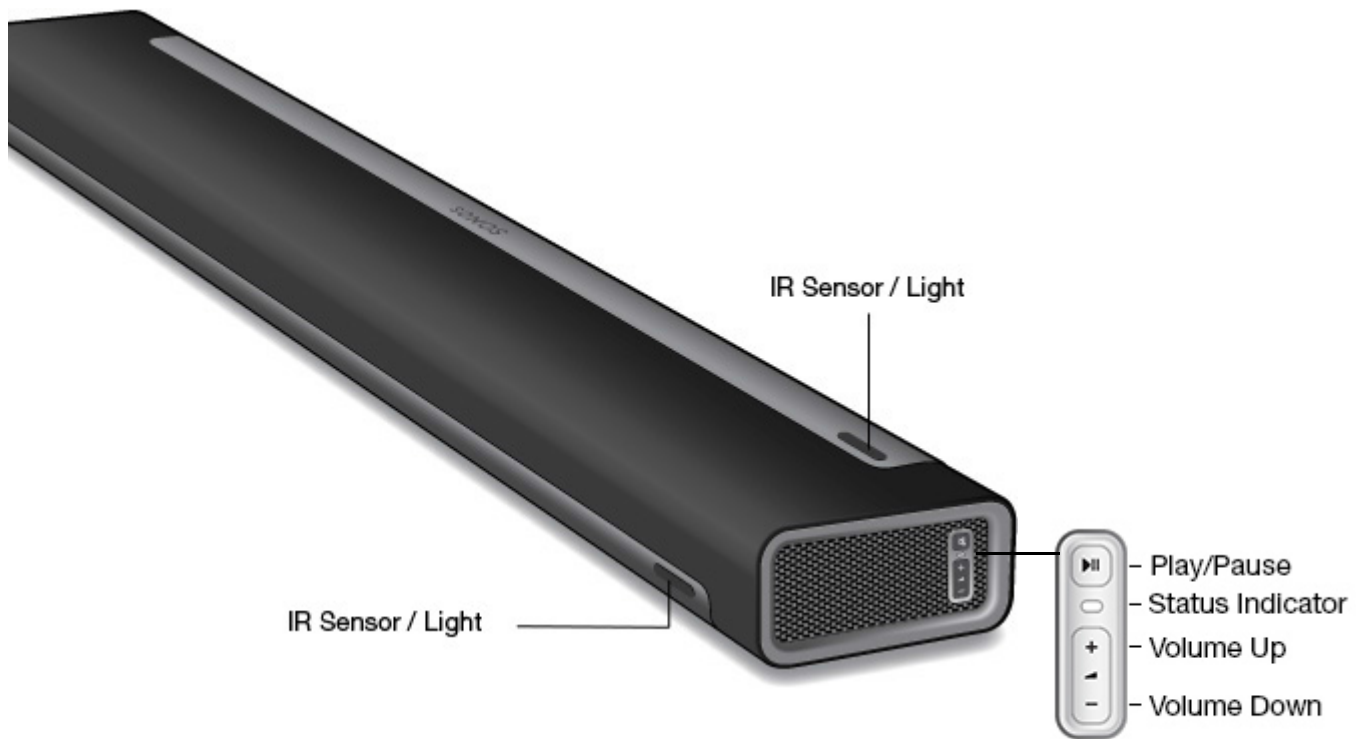
## Before you begin

Prior to installing the Sonos PLAYBAR, make sure all external components, such as your cable box, DVD player, etc. are connected directly to your TV.

If you have any existing home theater or surround sound equipment, disconnect it from your television.



## PLAYBAR front



**Note:** The grill cloth is not removable. Tampering with the cloth may damage your PLAYBAR.

### Play/Pause

Toggles between playing and pausing the audio.

- When the TV is on, press *once* to mute the audio
- When the TV is off, press *once* to restart the music source that was in use prior to the TV audio; press *twice* to skip to the next track (if applicable to the selected music source); press *three times* to skip to the previous track (if applicable to the selected music source)
- Press and hold to add the music playing in another room.

### Status Indicator

Indicates the status of the PLAYBAR.

When the PLAYBAR is in normal operation, the LED is white. If desired, you can adjust this setting so the white light does not display. See **Status light** for more information.

See **Status indicators** for a complete list of status indications.

### Volume Up (+) Volume Down (-)

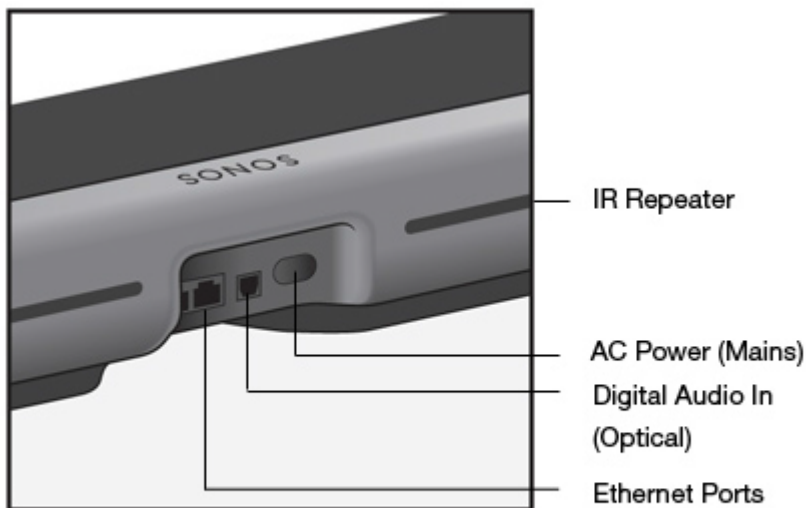
Press these buttons to adjust the volume up and down.

### IR (InfraRed) Sensors / Signal Lights

The IR sensor receives the signals sent by a remote control.

When the PLAYBAR receives a volume or mute command, the IR signal light displays momentarily. If desired, you can adjust this setting so the light never displays. See **IR signal light** for more information.

## PLAYBAR back



**Ethernet Ports (2)**

You can use an Ethernet cable to connect the PLAYBAR to your home network.

**Digital Audio In (Optical)**

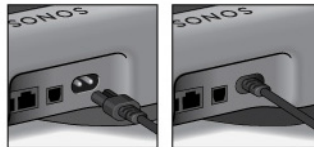
Use an audio optical cable (supplied) to connect the Sonos PLAYBAR's digital audio input to the optical digital output on your television. Take care not to bend or twist the cable.



*The PLAYBAR's digital audio in and the optical cable end are 'D-shaped'—be sure to align for proper insertion.*

**AC Power (Mains) Input**

Use only the supplied power cord to connect to a power outlet (using a third party power cord will void your warranty). Be sure to use the proper power adapter for your country. *Push the power cord firmly into the PLAYBAR until it is flush with the surface.*

**IR Repeater**

Allows the commands from your remote control to reach your TV if the PLAYBAR is positioned in front of the TV. This setting is on by default, but can be turned off. See **IR repeater** for more information.

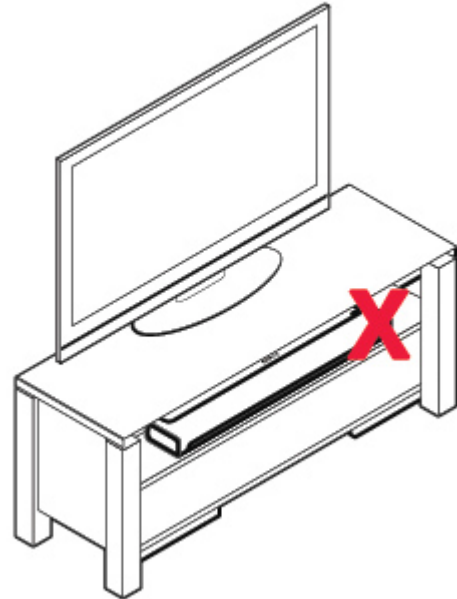
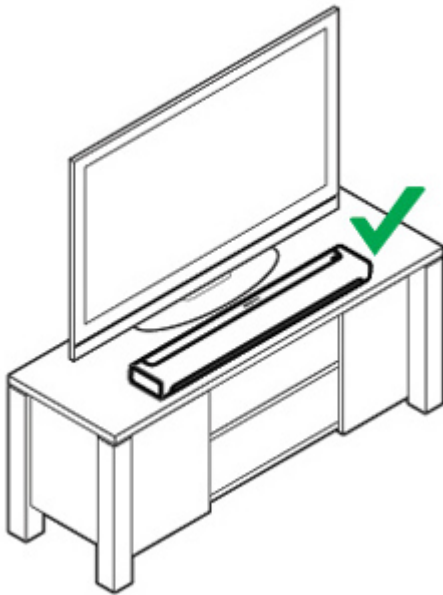
## Selecting a location

The PLAYBAR's flexible design allows for multiple orientations. You can wall mount it above or below your television or place it on a tabletop. See the guidelines below for more information.

**Tabletop**

- Lay the PLAYBAR horizontally and flat on its feet.
- Do not place vertically or upright on its side.
- To preserve audio quality, ensure the connector panel faces **toward** the TV—Sonos logo should be closer to your TV.
- There is no placement restriction between the TV and PLAYBAR as long as the television's IR is not blocked. The PLAYBAR IR repeater is designed for at least 2" (50mm) distance, but may work at a closer distance.

- Do not place the PLAYBAR in a cabinet or on a walled shelf. Both ends of the PLAYBAR should be at least 1 ft. (30cm) from a wall or other obstruction.



## Wall mounting

The PLAYBAR can be mounted above or below your television using the PLAYBAR Wall Mount Kit (purchased separately). See **Wall mounting** for detailed instructions.

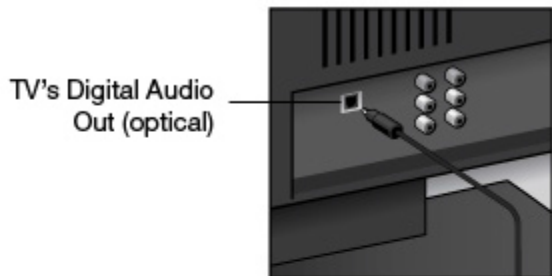
# Setting up the PLAYBAR

The PLAYBAR is compatible with Sonos software versions **4.0 and later**. If you are adding the PLAYBAR to an existing Sonos system, be sure to check for software updates before adding the PLAYBAR.

1. Carefully unpack the package contents.
2. Choose a location for the PLAYBAR. Refer to **Selecting a location** for help with this step.
3. Remove the protective cap from each end of the optical audio cable.

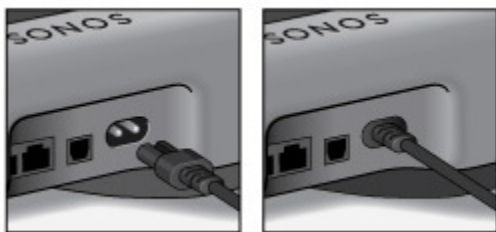


4. Connect the optical audio cable (supplied) from your TV's digital audio **out** (optical) to the PLAYBAR's digital audio **in** (optical) being careful not to twist or bend the cable. **The PLAYBAR's digital audio in and the optical cable are 'D-shaped'—be sure to align for proper insertion.**

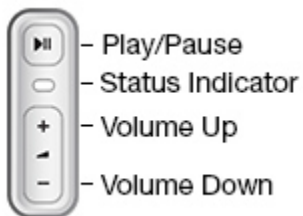


**IMPORTANT:** Be sure to remove the protective caps from each end of the supplied optical audio cable before inserting.

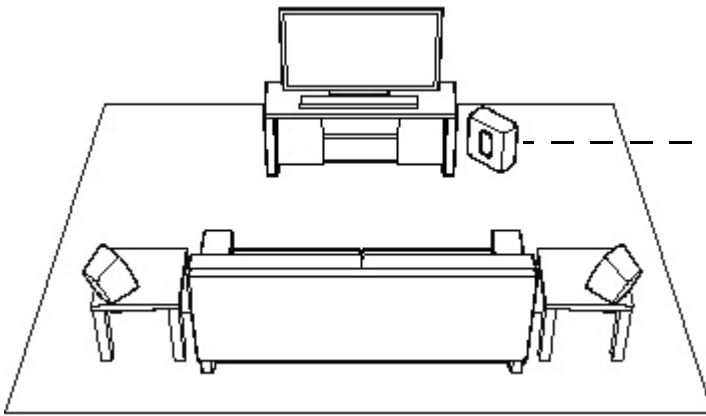
5. Attach the power adapter to the PLAYBAR and apply power. *Be sure to push the power cord firmly into the PLAYBAR until it is flush with the surface.*



The status indicator light on the right side of the unit will begin to flash.

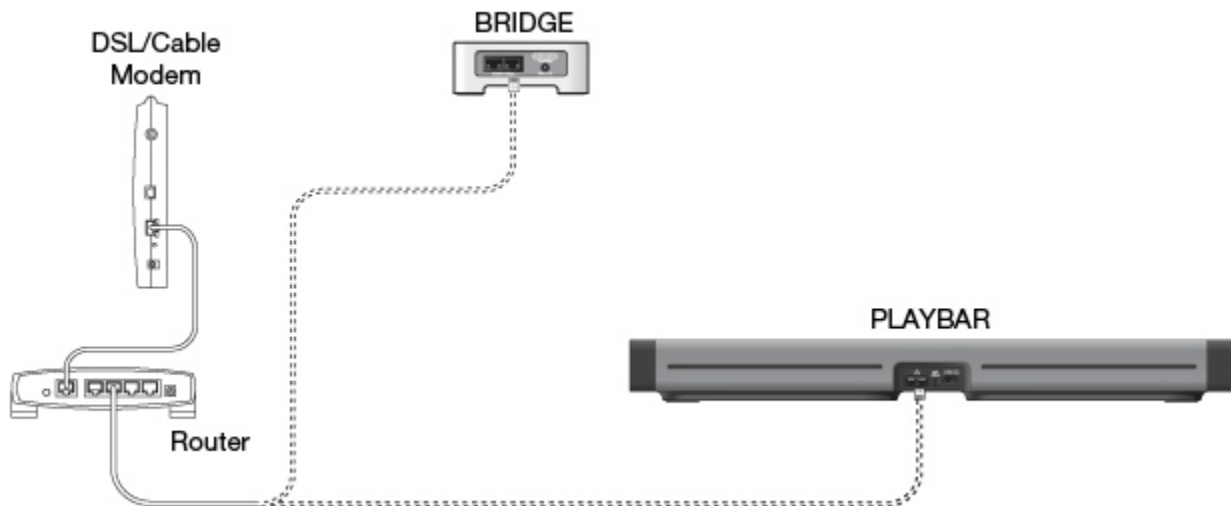


6. (OPTIONAL) If you are setting up your PLAYBAR with a SUB and/or surround speakers, position them in your room and apply power.  
(You will be prompted to add these components to Sonos after the PLAYBAR is added.)



If you purchased a Sonos SUB, place the SUB wherever it best fits your room—standing up or lying flat. You can place it in a corner, against the wall, behind, under, or next to any piece of furniture on any kind of floor surface.

If you purchased a pair of Sonos speakers, such as two PLAY:5s, place the speakers to the left and right of your main viewing position, level with or behind the main viewing position. They can be placed either horizontally or vertically, but make sure both speakers have the same orientation.



**Note: Expandable PLAYBAR home theater setup**

For a 3.1 home theater experience, pair a SUB with your PLAYBAR.  
For a 5.0 home theatre experience, set up two speakers, such as two PLAY:5s, as surround speakers with your PLAYBAR.  
For a 5.1 home theater experience, pair a SUB and two speakers, such as two PLAY:5s, with your PLAYBAR.

7. Using the Sonos app on a mobile device (including iPad®, iPhone®, iPod touch®, Android® smartphone or tablet, Kindle Fire™), open the app and follow the prompts to set up Sonos.

If you don't have a Sonos app installed, download it from the app store on your device.

**Note:** Sonos does not recommend using the Sonos app on a Mac or PC to set up your PLAYBAR.

**If you are setting up a new Sonos system, when prompted, add your Sonos products in the following order:**

- a. If you have connected a Sonos product to your router, add it first.
- b. Add the PLAYBAR (if it is not the product connected to your router.)
- c. Add any additional Sonos products you purchased.

**If you are adding to an existing Sonos system:**

- a. First check for software updates—the PLAYBAR is compatible with Sonos software versions **4.0 and later**.
- b. Go to **More** -> **Settings** -> **Add a Player or SUB**.
- c. Add any additional Sonos products you purchased.

You may be prompted to update the new Sonos product(s) after you add them.

**Note:** Thick walls, 2.4 GHz cordless telephones, or the presence of other wireless devices can interfere with or block the wireless network signals from Sonos. If you're experiencing difficulty, you can try one of these—relocate the Sonos product; change the wireless channel your music system is operating on; connect a Sonos product to your router if your setup is currently wireless.

**If you'd like additional assistance:**

- *If you need help turning off your TV speakers*, see **Turning off your television's speakers** for more information.
- *If you need help configuring a remote control to work with your PLAYBAR*, see **Remote control setup** for more information.
- *If a message appears on the TV whenever you adjust the volume up and down*, it may be possible to eliminate it. If you are using a cable remote, see **Eliminating annoying messages on your TV when using a cable, satellite, or set top box remote**. If you are using a universal remote, see **Eliminating annoying messages on your TV when using a universal remote** for additional help.
- *If you want to play music through the PLAYBAR*, see **Playing music** for more information.

## PLAYBAR settings

Follow the steps below if you wish to make changes to any PLAYBAR settings or the way the PLAYBAR works with your television.

- Trueplay™
- Equalization
- Remote Control Setup
- Recalibrating the Audio

- TV Dialog Settings
- Speech Enhancement
- Night Sound
- TV Autoplay
- IR Signal Light
- IR Repeater
- White Indicator Light
- Room Name
- Add SUB / Remove SUB (if SUB is present)
- Add / Remove Surround Speakers (if surround speakers are present)

## Tune your room with Trueplay™

Go ahead, put your Sonos speakers wherever you want. Trueplay listens to your room and tunes your speakers so you hear the sound you love, custom tuned to the room where you're listening (works on mobile devices running iOS 8 or later).

1. Choose **More** -> **Settings** -> **Room Settings**.
2. Pick a room and tap **Trueplay Tuning** to get started.

**Note:** Trueplay tuning is not available if VoiceOver is enabled on your iOS device. If you want to tune your speakers, turn off VoiceOver on your device first.

## Equalization (EQ)

During the PLAYBAR setup process you were guided through the audio calibration process. If desired, you can change the sound settings (bass, treble or loudness) for the Sonos PLAYBAR. *Bass* boosts lower frequencies, *treble* boosts higher frequencies, while *loudness* boosts certain frequencies, including bass, to improve the sound at low volume.

Any manual EQ changes you make will be reset whenever you go through the audio recalibration process (see **Recalibrating the audio** for more information).

### Using the Sonos app on a mobile device

1. Go to **More** -> **Settings** -> **Room Settings**.
2. Select a room.
3. Select **EQ**.
4. Choose one of the following options:
  - Drag your finger across the bass or treble sliders to make adjustments.
  - Select **On** or **Off** to adjust the **Loudness** setting.

### Using the Sonos app on a Mac or PC

1. Select **Manage** -> **Settings** (PC) or **Sonos** -> **Preferences** (Mac).
2. Select **Room Settings** if it is not already highlighted on the left.
3. Choose the room the PLAYBAR is located in from the **Room Settings for** list, and then select the **EQ** tab.
4. Choose one of the following options:

- Click and drag the bass or treble sliders to make adjustments.
  - Click the **Loudness** checkbox to turn the loudness setting on or off.
5. Close the **Settings** window when changes are complete.

## Remote control setup

During PLAYBAR setup, you were guided through the process of configuring a remote control. If you did not configure one then, or wish to use a different remote control with your PLAYBAR, follow the steps below.

If you are configuring a new remote because a distracting message appears on the television whenever you adjust the volume, please go to **Eliminating annoying messages on your TV when using a cable, satellite, or set top box remote**, or **Eliminating annoying messages on your TV when using a universal remote** for additional information.

### Using the Sonos app on a mobile device

1. Go to **More** -> **Settings** -> **Room Settings**.
2. Select the room your PLAYBAR is located in.
3. Select **TV Setup and Control** -> **Remote Control Setup**.  
If a remote control is already configured for use with your PLAYBAR you will be asked if you want to replace it.
4. Pick up the remote control you wish to begin using with the PLAYBAR.
5. Point the remote at the PLAYBAR and press the **Volume Up** button on the remote control.
  - If the remote control is recognized, click **Done**. You can now use that remote to control the volume and mute settings on your PLAYBAR.
  - If the remote control is not recognized, you will be prompted to make additional button presses to complete the setup process.

### Using the Sonos app on a Mac or PC

1. Select **Manage** -> **Settings** (PC) or **Sonos** -> **Preferences** (Mac).
2. Select **Room Settings** if it is not already highlighted on the left.
3. Choose the room the PLAYBAR is located in from the **Room Settings for** drop-down.
4. Select the **TV Setup** tab.
5. Click **Remote Control Setup**.
6. Pick up the remote control you wish to begin using with the PLAYBAR, and then click **Next**.
7. Point the remote at the PLAYBAR and press the **Volume Up** button on the remote control.
  - If the remote control is recognized, click **Done**. You can now use that remote to control the volume and mute settings on your PLAYBAR.
  - If the remote control is not recognized, you will be prompted to make additional button presses to complete the setup process.



If a message appears on the television whenever you adjust the volume up and down, please see **Eliminating annoying messages on your TV when using a cable, satellite, or set top box remote** or **Eliminating annoying messages on your TV when using a universal remote** for additional information.

## Recalibrating the audio



If you have a SUB and/or Sonos surround speakers associated with your PLAYBAR, you may wish to make some adjustments after initial setup. You will likely wish to recalibrate the audio if you move any Sonos products in the room.

If you made any manual adjustments to EQ settings, these will be reset during the recalibration process.

### Using the Sonos app on Android

1. Go to **More** -> **Settings** -> **Room Settings**.
2. Select the room that is associated with the surround components. It appears as *Room (+SUB)* or *Room (+LS+RS)* or *Room (+SUB+LS+RS)* in **Room Settings**.
3. Select **Advanced Audio** -> **Recalibrate Audio**.
4. Follow the prompts to optimize your audio performance.
  - If you have a SUB associated with your PLAYBAR, you will be asked to choose between 2 test sounds:
    - Press Play  to compare the volume of two test sounds, A and B, and then select **No Difference**, **A is louder** or **B is louder**. If you don't hear a noticeable difference, select **No Difference**.
    - Press Play  to listen to a test sound, and then select the level you prefer.
  - If you have surround speakers associated with your PLAYBAR, you will be asked to answer some room configuration questions.

### Using the Sonos app on a Mac or PC

1. Select **Manage** -> **Settings** (PC) or **Sonos** -> **Preferences** (Mac).
2. Select **Room Settings**.
3. Select the room that is associated with the surround components. It appears as *Room (+SUB)* or *Room (+LS+RS)* or *Room (+SUB+LS+RS)* on the **Room Settings for** drop-down.
4. Select the **Basic** tab, and then select **Recalibrate Audio**.
5. Follow the prompts to optimize your audio performance:
  - If you have a SUB associated with your PLAYBAR, you will be asked to choose between 2 test sounds:
    - Press Play  to compare the volume of two test sounds, A and B, and then select **No Difference**, **A is louder** or **B is louder**. If you don't hear a noticeable difference, select **No Difference**.
    - Press Play  to listen to a test sound, and then select the level you prefer.
  - If you have surround speakers associated with your PLAYBAR, you will be asked to answer some room configuration questions.

## TV dialog settings

### Using the Sonos app on a mobile device

1. Go to **More** -> **Settings** -> **Room Settings**.
2. Select the room the PLAYBAR is located in.
3. Select **Advanced Audio** -> **TV Dialog Settings**.
4. **Audio Delay (Lip Sync)**. Drag your finger across the slider to increase or decrease the sound delay if the image and the sound are not in sync.

### Using the Sonos app on a Mac or PC

1. Select **Manage** -> **Settings** (PC) or **Sonos** -> **Preferences** (Mac).

2. Select **Room Settings** if it is not already highlighted on the left.
3. Choose the room the PLAYBAR is located in from the **Room Settings for** drop-down.
4. Select the **TV Dialog** tab.
5. Click and drag the **Audio Delay (Lip Sync)** slider to increase or decrease the sound delay if the image and the audio are not in sync.
6. Close the **Settings** window when changes are complete.

## Additional TV sound options



### Speech Enhancement

The **Speech Enhancement** setting makes the TV dialog easier to hear. Touch the icon on your Sonos app's **Now Playing** screen to turn this setting on or off. (If the setting isn't visible, make sure the room with the PLAYBAR is selected.)



### Night Sound

The **Night Sound** setting adjusts the audio for night time viewing so you can reduce the volume and still experience proper balance and range. At lower volumes, quiet sounds are enhanced and the intensity of loud sounds is reduced. Touch the icon on your Sonos app's **Now Playing** screen to turn this setting on or off. (If the setting isn't visible, make sure the room with the PLAYBAR is selected.)

## TV autoplay

When TV Autoplay is set to *On*, TV audio automatically plays through the PLAYBAR when you turn on your television—if music is playing when the TV is turned on, the music immediately stops and the PLAYBAR switches to TV audio. Additionally, if the PLAYBAR is in a room group when the TV is turned on, it automatically drops from the group. This setting is *On* by default.

### Using the Sonos app on a mobile device

1. Go to **More** -> **Settings** -> **Room Settings**.
2. Select the room the PLAYBAR is located in.
3. Select **TV Setup and Control** -> **TV Autoplay**.
4. Select **On** or **Off**.

### Using the Sonos app on a Mac or PC

1. Select **Manage** -> **Settings** (PC) or **Sonos** -> **Preferences** (Mac).
2. Select **Room Settings** if it is not already highlighted on the left.
3. Choose the room the PLAYBAR is located in from the **Room Settings for** drop-down.
4. Select the **TV Setup** tab.
5. Check the **TV Autoplay** checkbox to turn this setting on, uncheck to turn it off.
6. Close the **Settings** window when changes are complete.

## Ungroup on autoplay

As with any Sonos player, you can group and ungroup the PLAYBAR with other rooms. If *ungroup on autoplay* is checked, any Sonos rooms that are grouped with the PLAYBAR when the TV is turned on will automatically drop from the group. This setting is *Yes* by default.

### Using the Sonos app on a mobile device

1. Go to **More** -> **Settings** -> **Room Settings**.
2. Select the room the PLAYBAR is located in.
3. Select **TV Setup and Control** -> **Ungroup on Autoplay**.
4. Select **Yes** or **No**.

### Using the Sonos app on a Mac or PC

1. Select **Manage** -> **Settings** (PC) or **Sonos** -> **Preferences** (Mac).
2. Select **Room Settings** if it is not already highlighted on the left.
3. Choose the room the PLAYBAR is located in from the **Room Settings for** drop-down.
4. Select the **TV Setup** tab.
5. Check the **Ungroup on Autoplay** checkbox to turn this setting on, uncheck to turn it off.
6. Close the **Settings** window when changes are complete.

### IR signal light

A light displays on the PLAYBAR when an IR signal is being sent. If desired, you can adjust this setting so the IR light never displays. This setting is *On* by default.

### Using the Sonos app on a mobile device

1. Go to **More** -> **Settings** -> **Room Settings**.
2. Select the room the PLAYBAR is located in.
3. Select **TV Setup and Control** -> **IR Signal Light**.
4. Select **On** or **Off**.

### Using the Sonos app on a Mac or PC

1. Select **Manage** -> **Settings** (PC) or **Sonos** -> **Preferences** (Mac).
2. Select **Room Settings** if it is not already highlighted on the left.
3. Choose the room the PLAYBAR is located in from the **Room Settings for** drop-down.
4. Select the **TV Setup** tab.
5. Check the **IR Signal Light** checkbox to turn this setting on, uncheck to turn it off.
6. Close the **Settings** window when changes are complete.

### IR repeater

When the PLAYBAR is placed in front of your TV on a tabletop, it may block the IR sensor on your TV. The IR repeater setting allows the PLAYBAR to repeat the signal to your TV. This setting is *On* by default.

### Using the Sonos app on a mobile device

1. Go to **More** -> **Settings** -> **Room Settings**.
2. Select the room the PLAYBAR is located in.
3. Select **TV Setup and Control** -> **IR Repeater**.
4. Select **On** or **Off**.

### Using the Sonos app on a Mac or PC

1. Select **Manage** -> **Settings** (PC) or **Sonos** -> **Preferences** (Mac).

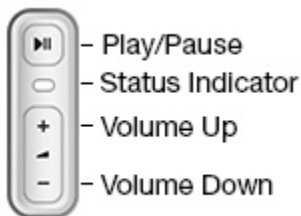


2. Select **Room Settings** if it is not already highlighted on the left.
3. Choose the room the PLAYBAR is located in from the **Room Settings for** drop-down.
4. Select the **TV Setup** tab.
5. Check the **IR Repeater** checkbox to turn this setting on, uncheck to turn it off.
6. Close the **Settings** window when changes are complete.

## Status light

A white light displays on the side of the PLAYBAR to indicate that the unit is functioning in normal operation. If desired, you can turn this indicator light off so that when the PLAYBAR is in normal operation the white light does not display. This setting is *On* by default.

If the Status indicator light begins to flash orange, go to <http://faq.sonos.com/led> for additional information.



### Using the Sonos app on a mobile device

1. Go to **More** -> **Settings** -> **Room Settings**.
2. Select the room you want to change.
3. Select **White Indicator Light**.
4. Select **On** or **Off**.

### Using the Sonos app on a Mac or PC

1. Select **Manage** -> **Settings** (PC) or **Sonos** -> **Preferences** (Mac).
2. Select **Room Settings** if it is not already highlighted on the left.
3. Choose the room you want to change from the **Room Settings for** drop-down.
4. From the **Basic** tab, click the **White Status Light On** checkbox to turn the light on or uncheck to turn it off.

## Changing room names

### Using the Sonos app on a mobile device

1. Go to **More** -> **Settings** -> **Room Settings**.
2. Select a room.
3. Tap **Room Name**.
4. Select a name from the list, or enter a new name, and tap **Done**.

### Using the Sonos app on a Mac or PC

1. Select **Manage** -> **Settings** (PC) or **Sonos** -> **Preferences** (Mac).
2. Select **Room Settings** if it is not already highlighted on the left.
3. Choose the room you wish to change from the **Room Settings for** drop-down.
4. From the **Basic** tab, enter a new name or choose one from the **Room Name** list.

# Sonos SUB

## Adding a Sonos SUB

You can pair a SUB with the PLAYBAR to add to your cinematic experience.

### Using the Sonos app on a mobile device

1. Go to **More** -> **Settings** -> **Room Settings**.
2. Select the room the PLAYBAR is located in.
3. Select **Add SUB**.
4. Follow the prompts to add the SUB to your Sonos system.

### Using the Sonos app on a Mac or PC

1. Select **Manage** -> **Settings** (PC) or **Sonos** -> **Preferences** (Mac).
2. Select **Room Settings** if it is not already highlighted on the left.
3. From the **Basic** tab, select **Add SUB**.
4. Follow the prompts to add the SUB to your Sonos system.

## SUB settings

Follow the steps below if you wish to make any changes to the SUB settings.

### Using the Sonos app on a mobile device

1. Go to **More** -> **Settings** -> **Room Settings**.
2. Select the room the PLAYBAR and SUB are located in. It appears as *Room (+SUB)* in **Room Settings**.
3. Select **Advanced Audio** -> **SUB Settings**.
4. Choose one of the following:
  - **SUB**: Choose **On** or **Off** to turn the sound from the SUB on and off.
  - **SUB Level**: Drag your finger across the slider to increase or decrease the volume of the SUB. (You can use this setting to match the subwoofer level to the level of your main speakers.)
  - **Placement Adjustment** (phase): Select **On** or **Off**.

### Using the Sonos app on a Mac or PC

1. Select **Manage** -> **Settings** (PC) or **Sonos** -> **Preferences** (Mac).
2. Select **Room Settings** if it is not already highlighted on the left.
3. Choose the room the PLAYBAR and SUB are located in from the **Room Settings for** drop-down. It appears as *Room (+SUB)*.
4. Select the **SUB** tab.
5. Choose one of the following:
  - **SUB**: Check to turn the sound from the SUB on; uncheck to turn it off.
  - **SUB Level**: Click and drag the slider to increase or decrease the volume of the SUB. (You can use this setting to match the subwoofer level to the level of your main speakers.)
  - **Placement Adjustment** (phase): Check to turn on; uncheck to turn it off.

## Removing a SUB

### Using the Sonos app on a mobile device

1. Go to **More** -> **Settings** -> **Room Settings**.
2. Select the room the SUB is associated with. It appears as *Room* (+SUB) in **Room Settings**.
3. Select **Remove SUB**.
4. Choose one of the following settings:
  - If you want to associate the SUB with a different Sonos player, select **Choose Room for SUB** and then select another room.
  - If you are not going to use the SUB right now, select **Don't use SUB**. It will appear in **Rooms** as *SUB (unused)* until you select it and associate it with another Sonos player.

### Using the Sonos app on a Mac or PC

1. Select **Manage** -> **Settings** (PC) or **Sonos** -> **Preferences** (Mac).
2. Select **Room Settings** if it is not already highlighted on the left.
3. Choose the room the PLAYBAR is located in from the **Room Settings for** drop-down list.
4. From the **Basic** tab, click **Remove SUB**.
5. Choose one of the following settings:
  - If you want to associate the SUB with a different Sonos player, select **Choose Room for SUB** and then select another room.
  - If you are not going to use the SUB right now, select **Don't use SUB**. It will appear in **Rooms** as *SUB (unused)* until you select it and associate it with another Sonos player.

# Surround speakers

## Adding surround speakers

You can easily pair two speakers, such as two PLAY:5s, with a PLAYBAR to function as left and right surround channels in your Sonos surround sound experience. You can either configure surround speakers during the setup process, or follow the steps below to add them.

- Make sure the Sonos products are the same—you cannot combine a PLAY:1 and a PLAY:3 to function as surround speakers.
- Be sure to follow these instructions to set up your surround speakers. Do not create a room group or stereo pair as these will not achieve the left and right surround channel functionality.

### Using the Sonos app on a mobile device

1. Go to **More** -> **Settings** -> **Room Settings**.
2. Select the room the PLAYBAR is located in.
3. Select **Add Surrounds**.
4. Follow the prompts to add first a left and then a right surround speaker.

### Removing surround speakers

1. Go to **More** -> **Settings** -> **Room Settings**.

2. Select the room the surround speakers are associated with. The room name appears as *Room (+LS+RS)* in **Room Settings**.
3. Select **Remove Surrounds**.
4. Select **Next** to drop the surround sound speakers from your surround system. If these were newly purchased speakers they will appear as **Unused** on **Rooms**. If these speakers existed in your household previously, they revert back to their previous state.

You can now move them to another room for individual use.

### Changing the surround settings

The default setting is determined by the calibration process. If you wish to make a change, you can follow the steps below.

1. Go to **More** -> **Settings** -> **Room Settings**.
2. Select the room the PLAYBAR and surround speakers are located in. It appears as *Room (+LS+RS)* in **Room Settings**.
3. Select **Advanced Audio** -> **Surround Settings**.
4. Choose one of the following:
  - **Surrounds**: Choose **On** or **Off** to turn the sound from the surround speakers on and off.
  - **TV Level**: Drag your finger across the slider to increase or decrease the volume of the surround speakers for playing TV audio.
  - **Music Level**: Drag your finger across the slider to increase or decrease the volume of the surround speakers for playing music.
  - **Music Playback**: Choose **Ambient** (default; subtle, ambient sound) or **Full** (enables louder, full range sound). This setting applies only to music playback, not TV audio.
  - **Balance Surround Speakers** (iOS): Select **Balance Surround Speakers** and follow the prompts to manually balance your surround speaker levels.

### Using the Sonos app on a Mac or PC

1. Select **Manage** -> **Settings** (PC) or **Sonos** -> **Preferences** (Mac).
2. Select **Room Settings** if it is not already highlighted on the left.
3. Choose the room the PLAYBAR is located in from the **Room Settings for** drop-down list.
4. From the **Basic** tab, select **Add Surrounds**.
5. Follow the prompts to add first a left and then a right surround speaker.

### Removing surround speakers

1. Select **Manage** -> **Settings** (PC) or **Sonos** -> **Preferences** (Mac).
2. Select **Room Settings** if it is not already highlighted on the left.
3. Choose the room the PLAYBAR is located in from the **Room Settings for** drop-down list. The room name appears as *Room (+LS+RS)*.
4. From the **Basic** tab, click **Remove Surrounds**. If these were newly purchased speakers, they will appear as **Unused** in the **Rooms** pane. If these speakers existed in your household previously, they revert back to their previous state.

### Changing the surround settings

The default setting is determined by the calibration process. If you wish to make a change, you can follow the steps below.

1. Select **Manage** -> **Settings** (PC) or **Sonos** -> **Preferences** (Mac).
2. Select **Room Settings** if it is not already highlighted on the left.
3. Choose the room the PLAYBAR and surround speakers are located in from the **Room Settings for** drop-down.
4. Select the **Surrounds** tab.
5. Choose one of the following:
  - **Surrounds**: Check to turn the sound from the surround speakers on; uncheck to turn it off.
  - **TV Level**: Click and drag the slider to increase or decrease the volume of the surround speakers for playing TV audio.
  - **Music Level**: Click and drag the slider to increase or decrease the volume of the surround speakers for playing music.
  - **Music Playback**: Choose **Ambient** (default; subtle, ambient sound) or **Full** (enables louder, full range sound). This setting applies only to music playback, not TV audio.

## Playing music

The PLAYBAR doubles as an all-in-one Sonos player that allows you to stream all the music on earth. Make a selection from **Browse** (on mobile devices) or the **MUSIC** pane (on a Mac or PC).

**Note:** If TV Autoplay is set to *On*, the PLAYBAR automatically stops playing music and switches to TV audio whenever the TV is turned on. See **TV autoplay** for more information.

### Radio

Sonos includes a radio guide that provides immediate access to thousands of free Internet radio stations and broadcast programs. You can easily find radio stations from all over the world—music, news, and variety programming, including archived shows and podcasts.

To select a radio station, simply select **Browse** -> **Radio by TuneIn**.

### Music services

A music service is an online music store or online service that sells audio on a per-song, per audiobook, or subscription basis. Sonos is compatible with several music services - you can visit our website at [www.sonos.com/music](http://www.sonos.com/music) for the latest list. (Some music services may not be available in your country. Please check the individual music service's website for more information.)

If you are currently subscribed to a music service that's compatible with Sonos, simply add your music service user name and password information to Sonos as needed and you'll have instant access to the music service from your Sonos system.


1. To add a music service, go to **More** -> **Add Music Services**.
2. Select a music service.
3. Select **Add to Sonos**, and then follow the prompts. Your login and password will be verified with the music service. As soon as your credentials have been verified, you will be able to select the music service from **Browse** (on mobile devices) or the **MUSIC** pane (on a Mac or PC).

## Local music library

Sonos can play music from any computer or network-attached storage (NAS) device on your home network where you have shared music folders (up to 65,000 songs). During the setup process, you are guided through the process of accessing your local music library (such as your iTunes library). Over time, you may wish to add or remove folders from this list.

**Note:** We recommend using the Sonos app for Mac or PC to add shared folders. For more information, please visit our website at <http://faq.sonos.com/manage>.

To make changes to your local library using a mobile device, go to **More** -> **Settings** and choose one of the following options:

- To add a music folder, select **Manage Music Library** -> **Music Library Setup** and:
  - Touch **...** -> **Add New Share** (iOS).
  - Touch **Add New Share** (Android).
- To remove a music folder, select **Manage Music Library** -> **Music Library Setup** and:
  - Touch  next to the folder you wish to remove (iOS).
  - Touch the folder and select **Remove Share** (Android).

Sonos indexes your local music so you can view your music collection by categories (such as artists, albums, composers, genres, or songs.) If you add new music, simply update your music index to add this music to your Sonos music library.

- To update your music library, select **Manage Music Library** -> **Update Music Index Now**. If you'd like your music library to update automatically each day, select **Schedule Music Index Updates** and then select an update time.

## Playing music from your mobile device

You can play music and podcasts stored on any mobile device that's on the same network as Sonos. Just choose **Browse** -> **On this [mobile device]**.

### Google Play Music (Android devices)

You can play music to Sonos directly from the Google Play Music app on any Android device. This feature is available for both Standard and All Access Google Play Music customers.

To play music directly from the Google Play Music app to Sonos, you must have both the Google Play Music app and the Sonos app installed on your mobile device.

Simply open the Google Play Music app and connect to a Sonos room or room group to start the music.

## Control Sonos from your Spotify app

You can always play Spotify from the Sonos app. Now you can control Sonos directly from your Spotify app too (Spotify premium subscribers only).

While you're listening to music in the Spotify app, select **DEVICES AVAILABLE** to connect to a Sonos room or room group.

To use this feature you need to have a Sonos account. If you don't have one, choose one of the following options:

- On a mobile device: Go to **More** -> **Settings** -> **Advanced Settings** -> **Control Sonos from Spotify**.
- On a PC: Go to **Manage** -> **Settings** and choose **Advanced**. From the **Music Sources** tab, choose **Control Sonos from Spotify**.
- On a Mac: Go to **Sonos** -> **Preferences** and select **Advanced**. From the **Music Sources** tab, choose **Control Sonos from Spotify**.

## Wall mounting

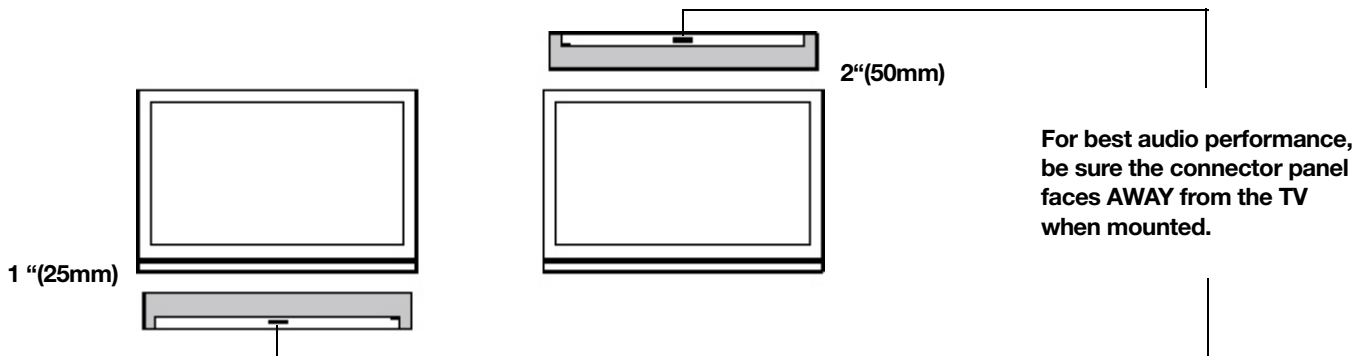
PLAYBAR can be wall mounted above or below your wall-mounted television using the PLAYBAR Wall Mount Kit. To preserve audio quality, ensure the connector panel faces away from the TV when mounted—the Sonos logo should be farther from your TV.

**Note:** It is recommended that you connect the power and audio cables to the PLAYBAR before mounting on the wall.

### What you will need

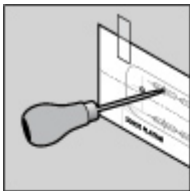
- PLAYBAR Wall Mount Kit (sold separately)
- Masking tape
- An awl or other pointed tool
- A Phillips head screw driver
- Power drill with Phillips head attachment

1. Hold the PLAYBAR wall mount template (included in the wall mount kit) in the desired position on your wall. The PLAYBAR can be mounted either above or below your television.



**Caution:** For optimal audio performance, Sonos recommends:  
 When mounting **below** a television, allow 1 inch (25mm) clearance between the PLAYBAR and the TV.  
 When mounting **above** a television, allow 2 inches (50mm) clearance between the PLAYBAR and the TV.

2. Use a level (included in wall mount kit) to ensure the template is horizontally level, and then tape the template securely to the wall.
3. Use an awl or other sharp object to punch 4 small holes through 4 of the marked locations on the template. (If additional reinforcement is desired, 2 spare screws and anchors are included in the wall mount kit.) Placement may vary but holes should be located toward the corners, away from center.





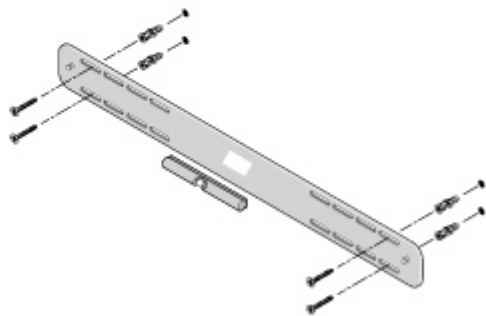
4. Remove the template from the wall.
5. Drill pilot holes.

Because the anchors and screws are designed to be self-starting, this step is optional. However pre-drilling will result in a more accurate installation. Refer to the table below for more information.

Wall Material	Pre Drill	Use Wall Anchors	Use Screws
Wood Stud	with 1/8" (3mm) bit	No	Yes
Drywall (no stud)	with 3/16" (4.5mm) bit	Yes	Yes
Hard wallboard or double board	with 3/16" (4.5mm) bit	Yes	Yes
Plaster	with 1/4" (6.5mm) bit	Yes	Yes
Concrete or Brick	with 1/8" (3mm) bit	Yes	Yes

6. Insert and secure the wall anchors (supplied in the wall mount kit).
  - If you are drilling into wood stud, do not use the wall anchors.
  - If you are drilling into Sheetrock, screw the wall anchors into the drywall with a Phillips head screwdriver until the head is flat against or slightly below the wall surface, being careful not to overtighten.

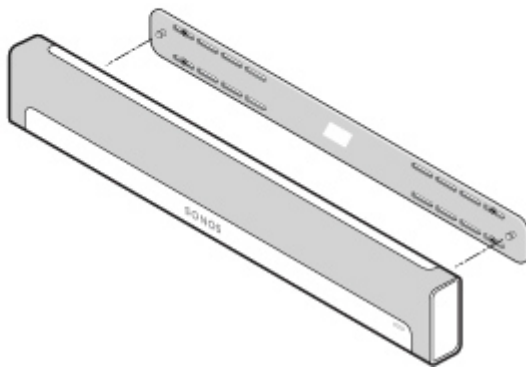
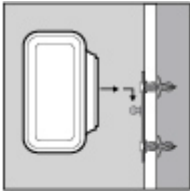
**Note:** The anchors can be installed using a screw gun or a regular power drill with a Phillips head screwdriver attachment. If you are drilling into sheetrock, the surface of the drywall may distort slightly or dimple as the anchor is installed. This is not unusual.



7. Fasten the PLAYBAR bracket to the wall using the screws supplied in the wall mount kit. Use the level to verify accuracy a final time, and then tighten the screws securely.

**Note:** If using wall anchors, continue to drill for a few seconds even after it appears the screw is secure— the anchor will likely spin a little as the anchor expands inside the wall.

8. Hang the PLAYBAR securely on the two (2) bracket pegs.



## Basic troubleshooting

**Warning:** Do not open the product as there is a risk of electric shock. Under no circumstances should the product be repaired by anyone other than an authorized Sonos repair center, as this will invalidate the warranty. Please contact Sonos Customer Support for more information.

The grill cloth is not removable. Tampering with the cloth may damage your PLAYBAR.

If a problem occurs, you can try the troubleshooting suggestions listed below. If one of these doesn't remedy the problem, or you are not sure how to proceed, please contact the Sonos Customer Support team and we'll be happy to help.

- **Customer Support**

- Visit our PLAYBAR reference section at <http://moreinfo.sonos.com/PLAYBAR>
- Visit our website at [www.sonos.com/support](http://www.sonos.com/support)
- Email us at [support@sonos.com](mailto:support@sonos.com)

## PLAYBAR not detected during setup

- Did you allow Sonos to check for updates? *The Sonos PLAYBAR requires software version 4.0 or later.*
- Is the power cord properly seated? *Be sure to push the power cord firmly into the PLAYBAR until it is flush with the surface.*
- If either of these is not the problem, a network issue may be preventing the PLAYBAR from connecting to Sonos. *Try moving the Sonos products closer together.*

## Eliminating annoying messages on your TV when using a cable, satellite, or set top box remote

After you disable your TV speakers, your television might display an annoying or confusing message when you adjust the volume on the PLAYBAR. This could be a message reminding you that your TV speakers are off, or a volume indicator unrelated to the sound from your PLAYBAR. If you have a programmable remote control, you can try the steps below. These steps will configure your remote control to send volume commands that are only recognized by the PLAYBAR so the message no longer appears when you increase or decrease the volume.

You will need to refer to the printed instructions that came with your remote control, or browse the on-screen help menu on your cable/satellite/set-top box as the specific details will vary. Please contact your cable service provider for additional help.

### Identify an unused device key

Your remote control can likely control a variety of devices. The device keys are usually located at the top of the remote and labeled TV/Cable/CBL/STB/DVD/AUX. Identify a device key that is not currently being used (for example, the AUX key).

If your remote will not allow additional devices to be programmed, you might wish to purchase a universal remote to make it easier to control all your devices. Sonos recommends a Logitech® Harmony® universal remote. See **If you are using a Logitech universal remote** for more information.

### Program the unused device key

Programming the unused device key will add new volume commands to your remote control.

To perform this step you will need to refer to the printed instructions that came with your remote control or browse the on-screen help menu on your cable/satellite/set-top box as the specific details will vary by manufacturer. If you cannot locate the instructions, contact your cable service provider for additional help.

- From the list of codes that can be programmed, select a Sonos code if it appears in the list.
- If Sonos does not appear in the list, select a code for any manufacturer brand **other than your TV or other devices** connected to the TV. For example if you own a Vizio TV and a Samsung Blu-ray player, choose a Panasonic code from the list.
- *DO NOT initiate an automated search for a code.*

### Lock your remote control to the new volume commands

Locking volume control to the new device will ensure your remote always sends the new volume commands.

This feature is likely referred to as *volume lock* or *volume punch through* in the instructions that accompanied your remote control.

### Configure your PLAYBAR to work with these new volume commands

See **Remote control setup** for help with this step.

### Verify that the problem is solved

If the problem persists, try repeating the steps above, choosing a different manufacturer brand when programming the unused device key.

### Eliminating annoying messages on your TV when using a universal remote

After you disable your TV speakers, your television might display an annoying or confusing message whenever you adjust the volume on the PLAYBAR. This could be a message reminding you that your TV speakers are off, or a volume indicator unrelated to the sound from your PLAYBAR. Try the steps below to configure your universal remote so this message no longer appears when you increase or decrease the PLAYBAR's volume.

If you do not own a universal remote, Sonos recommends you purchase a Logitech® Harmony® remote.

#### If you are using a Logitech universal remote

If this remote is a new purchase, you will first need to set up a Logitech user account and install the Harmony Remote software. Then follow the steps below to add the PLAYBAR as a new device.

1. Use the USB cable provided by Logitech to connect your Harmony remote to your computer.

**Note:** If this remote is a new purchase, you will need to set up a Logitech user account and install the Harmony Remote software before proceeding.

2. Launch the Logitech Harmony Remote software or go to [www.logitech.com/myharmony](http://www.logitech.com/myharmony) and login to your account. (Where you are directed depends on the Logitech universal remote model you purchased.)
3. Select the **Add Device** setting.
4. Choose one of the following options:
  - If you are using Logitech Harmony Remote software:
    - Select **Sonos** as the manufacturer, and enter **PLAYBAR** as the model name/number. If the Sonos PLAYBAR is not in their database, you will be asked to add it.
    - Confirm that you've entered the information correctly, and then save your changes.
  - If you are using My Harmony website:
    - Type **Sonos** as the manufacturer and **PLAYBAR** as the model name. If the Sonos PLAYBAR is not in their database, you will be asked to confirm your entry or make another choice.
    - Confirm that you've entered the information correctly, and then save your changes.

#### If you are using another universal remote

Please follow the instructions in **Eliminating annoying messages on your TV when using a cable, satellite, or set top box remote**.

### Turning off your television's speakers

During the setup process you are prompted to turn off your TV speakers so the sound comes only through the PLAYBAR. While Sonos cannot provide instructions for every television model, please try the steps below.

If you cannot find the correct setting to turn off your TV speakers, please consult the owner's guide that was packaged with your television.

1. Select the **Menu** or **Setup** button on your television's remote control (not your cable remote control).  
An on-screen menu will appear.

2. Select the menu option that controls your television's **audio** functions.

**Note:** This menu selection is most often labeled **Audio, Sound, Tools, or Options** or may display as a musical note icon.

3. Select the appropriate setting to **turn off** your TV speakers. Depending on your TV make and model, choices may include:
  - **Off / On**
  - **External Speaker / Television Speaker**
  - **Audio System / Television Speaker**

The choice in **bold** will turn the TV speakers off.

- If none of these are applicable to your television, look for a setting that switches your TV output between variable and fixed and try switching the setting.

### Can't turn off TV speakers

You should make every effort to turn off your TV's internal speakers. However some brands, including Toshiba and Dynex, may not include this setting. If you are unable to turn off the TV speakers, follow the steps below.

1. Using the volume control buttons on your television, turn the TV volume all the way down. Do not use the **Mute** button.
2. From this point forward use only the volume buttons on your Sonos app to adjust the PLAYBAR's volume.

### I have a new router

If you purchase a new router or change your ISP (Internet service provider), you will need to restart all your Sonos products after the router is installed.

**Note:** If the ISP technician connects a Sonos product to the new router, you only need to restart your wireless Sonos products.

1. Disconnect the power cord from all of your Sonos products for at least 5 seconds.
2. Reconnect them one at a time, starting with the Sonos product that is connected to your router (if one is usually connected).

Wait for your Sonos products to restart. The status indicator light will change to solid white on each product when the restart is complete.

**If your Sonos setup is completely wireless** (you don't keep a Sonos product connected to your router), you will also need to change your wireless network password. Follow the steps below:

1. Temporarily connect one of your Sonos players to the new router with an Ethernet cable.
2. Select **More** -> **Settings** -> **Advanced Settings** -> **Wireless Setup**.  
Sonos will detect your network.
3. Enter the password for your wireless network.
4. Once the password is accepted, unplug the player from your router and move it back to its original location.

## I want to change my wireless network password

If your Sonos system is set up wirelessly and you change your wireless network password, you will also need to change it on your Sonos system.

1. Temporarily connect one of your Sonos players to your router with an Ethernet cable.
2. Choose one of the following options:
  - Using the Sonos app on a mobile device, select **More** -> **Settings** -> **Advanced Settings** -> **Wireless Setup**.
  - Using the Sonos app on a PC, select **Settings** -> **Advanced** from the **Manage** menu. On the **General** tab, select **Wireless Setup**.
  - Using the Sonos app on a Mac, select **Preferences** -> **Advanced** from the **Sonos** menu. On the **General** tab, select **Wireless Setup**.
3. Enter the new wireless network password when prompted.
4. Once the password is accepted, you can unplug the player from your router and move it back to its original location.

## Status indicators

Indicator Lights	Status	Sonos Product	Additional Information
Flashing white	Powering up	BRIDGE, BOOST, CONNECT, SUB, CONNECT:AMP, DOCK, PLAY:1, PLAY:3, PLAY:5, PLAYBAR, PLAYBASE	
Solid white ( <i>dimly lit</i> )	Powered up and associated with a Sonos system (normal operation)	BRIDGE, BOOST, CONNECT, SUB, CONNECT:AMP, DOCK, PLAY:1, PLAY:3, PLAY:5, PLAYBAR, PLAYBASE	You can turn the white status indicator light on or off from <b>More</b> -> <b>Settings</b> -> <b>Room Settings</b> . (Sonos products that are paired together share the same setting.)
Solid white ( <i>brightly lit</i> )	Touch control(s) active	PLAY:5 (gen2), PLAYBASE	Brightens when touch controls are activated.
Flashing green	Powered up, not yet associated with a Sonos system Or, WAC (wireless access configuration) join ready	BRIDGE, BOOST, CONNECT, SUB, CONNECT:AMP, DOCK, PLAY:1, PLAY:3, PLAY:5, PLAYBAR, PLAYBASE	For a SUB, this may indicate the SUB is not yet paired with a speaker.

Indicator Lights	Status	Sonos Product	Additional Information
Slowly flashing green	Surround audio is off or SUB audio is off	PLAY:1, PLAY:3, PLAY:5 (gen2), SUB	Applicable for speaker configured as a surround speaker, or for a SUB paired with a PLAYBAR.
Solid green	Volume set to zero or muted	CONNECT, CONNECT:AMP, PLAY:1, PLAY:3, PLAY:5, PLAYBAR, PLAYBASE	
Flashing orange	During SonosNet setup, this occurs after a button press while the product is searching for a household to join.	BRIDGE, BOOST, CONNECT, SUB, CONNECT:AMP, DOCK, PLAY:1, PLAY:3, PLAY:5, PLAYBAR, PLAYBASE	
Rapidly flashing orange	Playback / Next Song failed	CONNECT, CONNECT:AMP, PLAY:1, PLAY:3, PLAY:5, PLAYBAR, PLAYBASE	Indicates either playback or next song was not possible.
Solid orange	During wireless setup, this occurs while the Sonos open access point is temporarily active. If you are not setting up Sonos, this may indicate warning mode.	CONNECT, SUB, CONNECT:AMP, PLAY:1, PLAY:3, PLAY:5, PLAYBAR, PLAYBASE	<p>If the orange light is on AND the speaker's volume level automatically reduces, this indicates the speaker is in warning mode.</p> <ul style="list-style-type: none"> <li>• Press the <b>Pause</b> button to stop the audio.</li> <li>• For Sonos products with a vent opening (SUB, CONNECT:AMP), check to make sure it's not blocked.</li> <li>• Check the room temperature to make sure it's less than 104°F/ 40° C.</li> <li>• If the speaker is in direct sunlight, provide shade.</li> <li>• Allow the speaker to cool for several minutes and then press <b>Play</b> to restart the audio.</li> <li>• If the problem does not resolve, please contact Customer Care.</li> </ul>
Flashing green and white	Speakers are being linked to your Sonos account.	BRIDGE, BOOST, CONNECT, SUB, CONNECT:AMP, DOCK, PLAY:1, PLAY:3, PLAY:5, PLAYBAR, PLAYBASE	Link the speaker(s) to your account. For more information, see <a href="http://faq.sonos.com/accountlink">http://faq.sonos.com/accountlink</a> .

Indicator Lights	Status	Sonos Product	Additional Information
Flashing red and white	Speaker repartitioning failed.	BRIDGE, BOOST, CONNECT, SUB, CONNECT:AMP, DOCK, PLAY:1, PLAY:3, PLAY:5, PLAYBAR, PLAYBASE	Please contact Customer Care.
Flashing red	Speaker setup timed out. This happens if a speaker is plugged in for 30 minutes without being set up.	CONNECT, SUB, CONNECT:AMP, PLAY:1, PLAY:3, PLAY5, PLAYBAR, PLAYBASE	Unplug the speaker, wait 10 seconds, plug it back in, and set it up.

## Important safety information

Please read these instructions and heed all warnings. Keep them in a convenient location and make sure everyone in the household is aware of them.

### Location

- Do not place the unit where it will be exposed to excessive heat (e.g., radiators, heat registers, stoves), direct sunlight, or a dusty environment (e.g., woodworking shop.)
- Do not place the unit where it will be exposed to flammable liquids and/or fumes.
- Do not place the unit in a small confined space (e.g., closet or cabinet, under a bed or sofa) where ventilation is restricted. Both ends of the PLAYBAR should be at least 1 ft. (30cm) from a wall or other obstruction.
- Protect the power cable from being walked on or pinched, particularly at plugs, convenience receptacles, and the point where it exits the product. The mains cord should be readily available to disconnect the power.
- The product should not be used near water—avoid close proximity to a bathtub, kitchen sink, laundry tub, wet basement, swimming pool, etc.
- If the unit is being wall-mounted, use the PLAYBAR Wall Mount Kit (purchased separately) and follow the instructions carefully. Improper or inadequate installation could cause your device to fall, resulting in personal injury.

### Proper ventilation

- Leave one inch of open space around the sides and above the unit to ensure proper ventilation.
- Ventilation should not be impeded by covering the ventilation openings with items such as tablecloths, curtains, or papers.
- Do not let foreign objects into the unit. If a foreign object should get into the unit, unplug the unit and contact Sonos for servicing guidance.



## Usage

- Do not operate or handle the product with wet hands.
- Do not place any object on top of the product (e.g. vase, coffee cup, potted plant, books, magazines, etc.)
- Only use attachment/accessories specified by Sonos.
- Unplug the power cord during lightning storms or when unused for long periods of time.
- Never disassemble or modify the product in any way.
- If the PLAYBAR is wall-mounted, never hang from the PLAYBAR or the wall mount bracket.
- If the PLAYBAR is wall-mounted, perform safety checks on a regular basis to ensure screws remain tightened securely.

## Cleaning & maintenance

- Keep the PLAYBAR fabric free from dust, pet hair, and other fine particles.
- To clean the fabric, use a vacuum with a hose or non-moving bristle attachment. Do not vacuum with a rotating bristle attachment.
- A lint **brush** can be used to smooth out visible lines in the fabric. Do not clean fabric with a lint **roller**.
- Clean non-fabric portions of the PLAYBAR only with a dry, soft cloth. Household cleaners or solvents may damage the finish on your Sonos products.
- Do not use chemical solvents (e.g. alcohol, benzene, paint thinner) or other flammable cleaning liquids.
- Refer all servicing to Sonos qualified service personnel. Servicing is required when the unit or the power cord has been damaged in any way, if liquid or other foreign matter has fallen into the ventilation openings, or the unit has been exposed to rain or moisture.

**Warning:** To reduce the risk of fire or electric shock, do not expose this apparatus to rain or moisture.

# PLAYBAR specifications

Feature	Description
<b>Audio</b>	
<b>Amplifier</b>	Nine Class-D digital amplifiers perfectly tuned to match the speakers and acoustic architecture.
<b>Speakers</b>	Nine amplified speakers—six midrange and three tweeters. PLAYBAR's automatic equalization means the system self-adjusts for rich, seamless performance.
<b>3.0 Home Theater</b>	PLAYBAR's nine-speaker design plunges you into the cinematic action with huge waves of sound that capture every whisper and footfall. The player connects to your TV with a single cable and plays all sources, including satellite boxes and game consoles.

Feature	Description
<b>3.1 Home Theater</b>	Pair PLAYBAR with SUB, and with the push of a button you can add spine-curling bass to your cinematic experience—wirelessly.
<b>5.1 Home Theater</b>	Add speakers, such as two PLAY:5s, to your PLAYBAR and SUB for a true surround sound experience. Sleek and understated with wireless control, this deeply immersive home theater experience wraps you in crystal-clear, state-of-the-art Sonos sound.
<b>System Requirements</b>	TV with optical audio output, broadband Internet, and a Sonos app.
<b>Music</b>	
<b>Music Services Supported</b>	Sonos works seamlessly with most music services, including Apple Music™, Deezer, Google Play Music, Pandora, Spotify and Radio by Tuneln, as well as downloads from any service offering DRM-free tracks. Service availability varies by region. For a complete list, see <a href="http://www.sonos.com/music">http://www.sonos.com/music</a> .
<b>Internet Radio Supported</b>	Streaming MP3, HLS/AAC, WMA
<b>Audio Formats Supported</b>	Support for compressed MP3, AAC (without DRM), WMA without DRM (including purchased Windows Media downloads), AAC (MPEG4), AAC+, Ogg Vorbis, Apple Lossless, Flac (lossless) music files, as well as uncompressed WAV and AIFF files. Native support for 44.1kHz sample rates. Additional support for 48kHz, 32kHz, 24kHz, 22kHz, 16kHz, 11kHz, and 8kHz sample rates. MP3 supports all rates except 11kHz and 8kHz. <b>Note:</b> Apple “Fairplay”, WMA DRM and WMA Lossless formats not currently supported. Previously purchased Apple “Fairplay” DRM-protected songs may be upgraded.
<b>Album Art Supported</b>	JPEG, PNG, BMP, GIF
<b>Playback Modes</b>	Crossfade, shuffle, repeat
<b>Playlists Supported</b>	Napster, iTunes, WinAmp, and Windows Media Player (.m3u, .pls, .wpl)
<b>Networking</b>	
<b>Ethernet Port (2)</b>	2-port switch allows a connection to your network or to other Sonos speakers.
<b>Wireless Connectivity</b>	Connects to your home Wi-Fi network with any 802.11 b/g/n router. 802.11n only network configurations are not supported—you can either change the router settings to 802.11 b/g/n or connect a Sonos product to your router.
<b>SonosNet™ Extender</b>	Functions to extend and enhance the power of SonosNet, a secure AES encrypted, peer-to-peer wireless mesh network dedicated exclusively for Sonos to reduce Wi-Fi interference.
<b>General</b>	
<b>Side Panel Buttons</b>	Volume Up, Volume Down and Mute

Feature	Description
<b>Side Panel LEDs</b>	Indicates PLAYBAR status
<b>Power Supply</b>	100 - 240 VAC, 50/60 Hz, auto-switchable
<b>Dimensions (H x W x D)</b>	3.35" (H) x 35.43" (W) x 5.51" (D), 85mm (H) x 900mm (W) x 140 mm (D)
<b>Weight</b>	11.9 lbs (5.4kgs)
<b>Operating Temperature</b>	32°F to 104°F (0°C to 40°C)
<b>Storage Temperature</b>	4°F to 158°F (-20°C to 70°C)
<b>Package Contents</b>	PLAYBAR, AC power cord, optical audio cable, quickstart guide and legal booklet.
<b>Multiple Orientations</b>	Mount PLAYBAR on the wall either above or below your television, or lay flat on your television table.
<b>Control</b>	Control PLAYBAR volume and mute using your existing TV, cable or universal remote. Or download a free Sonos app to control PLAYBAR from your smartphone, tablet, PC or Mac computer.
<b>Supported Devices</b>	PLAYBAR works with all amplified and non-amplified Sonos products. PLAYBAR connects to your TV using a single optical cable and plays all sources connected to the TV, including cable boxes and game consoles.

\* Specifications subject to change without notice.

Manufactured under license from Dolby Laboratories. Dolby and the double-D symbol are trademarks of Dolby Laboratories.

## Product guide feedback?

We'd love to hear from you! We'll read your feedback carefully and use it to help us improve our product guides. Write to us at: [docfeedback@sonos.com](mailto:docfeedback@sonos.com)

If you're having a problem with your Sonos system, please contact Customer Care so they can help. Email them at <http://www.sonos.com/emailsupport>.

## Need more help?

- Tap **More** -> **Help & Tips** for simple tips for getting the most out of your speakers.
- Visit our Frequently Asked Questions (FAQ) pages at [www.sonos.com/support](http://www.sonos.com/support).
- Ask us a question at <http://www.sonos.com/emailsupport>.