

# Audio, Video & Control Over a Network

CONFERENCE ROOMS | TRAINING ROOMS | EDUCATIONAL SETTINGS | ENTERTAINMENT | DIGITAL SIGNAGE | HOME



**Liberty**

The proliferation of HDMI audio, video, and control signals on IP network continues, allowing for detailed system configuration and robust endpoint management. Liberty AV, an industry leader in innovation backed by exceptional customer service, unveils a powerful new AV signal distribution solution addressing today's networked AV needs.



**Proud Member of SDVoE Alliance**

As a member of the industry-leading trade association SDVoE (software-defined video over ethernet), we are at the forefront of Pro AV software solutions.

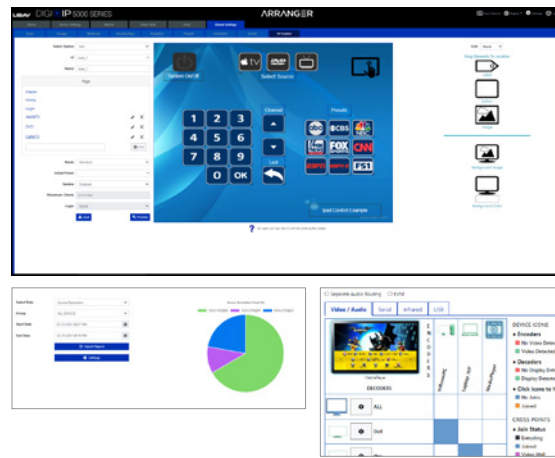
# A Powerful AVoIP Software and Hardware Platform

Mass distribution and management of HDMI audio, video, IR, RS232 and USB signals on a network!



## Introducing Arranger, an AV software server application.

Arranger is designed to configure and manage AVoIP endpoints and AV systems with EASY to build user interfaces with NO PROGRAMMING SKILLS REQUIRED!



## AVoIP Hardware Support by DigitalInxIP.

Just as important as the software is the powerful and reliable hardware host. Arranger is designed to fully leverage the powerful capabilities of all Digi IP hardware. MULTI APPLICATION USE! Integrate into entertainment venues, conference rooms, training and education spaces, KVM systems, NOCs, EOCs – any application where multiple AV and control signals must be used and managed.

### 2100 SERIES



### 5000 SERIES



4K60 4:2:0 Low Latency

### 6000 SERIES




4K60 4:4:4 ZERO Latency

# ARRANGER

## AVoIP Management Application

One software platform to build, manage, and control ALL Digi IP and AV devices on a network for MANY vertical applications.

 10 languages supported in Arranger

### BUILD

Configure AVoIP Systems With Ease



Arranger is intuitive - easily configure Digi IP AV endpoints and other devices



Route video, audio, control, and USB signals independently throughout a network



Create video wall and multi-view Layouts



Create system presets to be used for system control, automation, and events



Real-time status for easy deployment and management

### CONTROL

No Programming Required!



Build UNLIMITED customized touchscreen UI control for iPads, iPhones, and Android devices (remember - no programming skills required!)



Touchless AV control using QR codes



Use voice commands using Google Assistant to trigger system presets quickly



Use global cache devices to control and activate relays, switches, contact closures, and sensors for automation control



### MANAGE

Monitor System Activity and Collect Metrics!



AV system analytics delivers a strong ROI by tracking lost revenue resulting from downtime, unused space, and technology demands



Access Arranger controller and Digi IP device firmware updates over the cloud



Easy-to-use customized system service notifications by email



Remote access allows managers to manage AV system from anywhere online

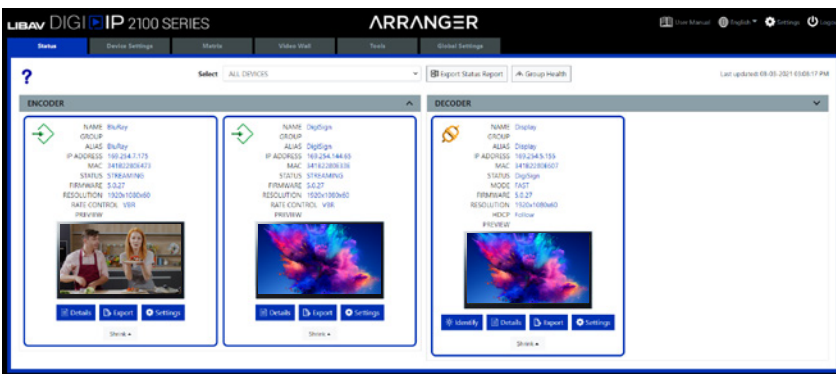


Integrates seamlessly as a Network/IOT device in CXDetect

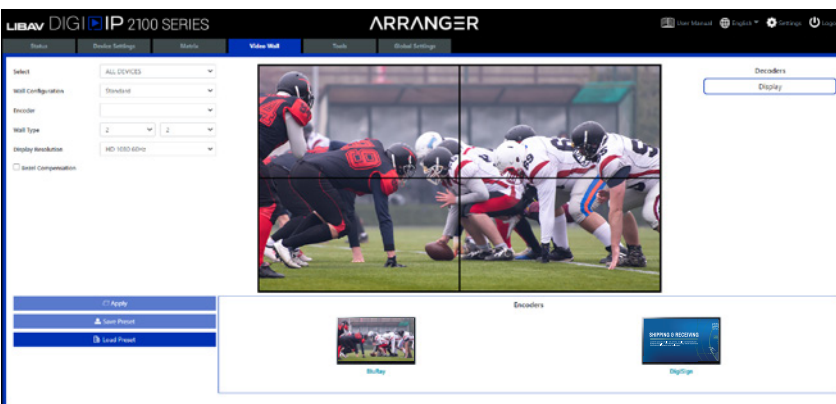
End users and system integrators need intuitive yet robust software tools to help build and manage AVoIP systems easily. Arranger solves that problem, providing an easy-to-use and intuitive interface deep with features.



- Arranger is intuitive - easily configure Digi IP AV endpoints and other devices
- Route video, audio, control, and USB signals independently throughout a network
- Create video wall and multi-view Layouts
- Create system macro presets to be used for system control, automation, and events



## Auto Device Discovery



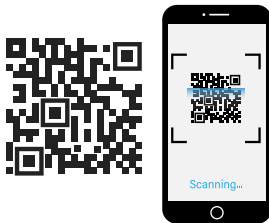
## Easy Video Wall Configuration



Custom AV control can be costly for users to build and manage. With Arranger you can create touchless and touchscreen user interfaces at a fraction of the cost. No programming languages required, making it easy to deploy and maintain AVoIP systems over time.



Build UNLIMITED customized touchscreen UI control for iPads, iPhones, and Android devices



Touchless AV control using QR codes



Configure AV system automation and scheduling



Use voice commands using Google Assistant to trigger system presets quickly



Natively manage Global Cache Devices to control and activate relays, switches, contact closures, and IR sensors for automation control

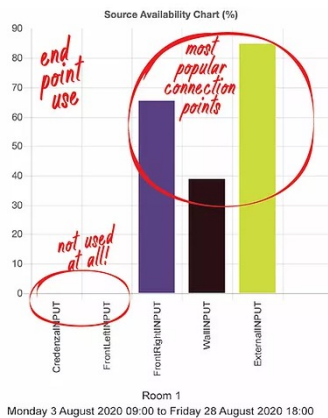
Generate rich sets of actionable data that allows users and organizations to better manage their AV for continuous service improvement and strong ROI for all stake holders. A new tool to manage costs and maximize facilities.



## ANALYTICS

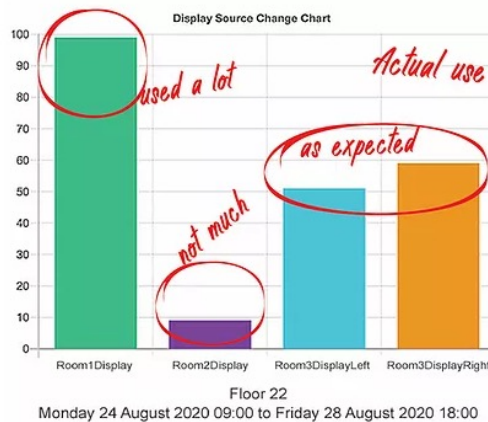
### Technology Use

- How much use are your devices actually getting?
- Could you re-deploy for greater ROI?



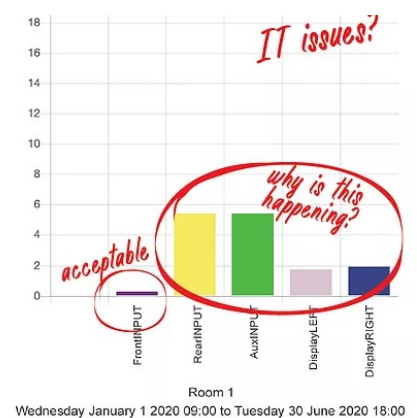
### Room Use

- How much use is your AV getting?
- Are AV booked rooms being utilized as they should?



### Network Downtime

- Are devices falling off the network unexpectedly?
- Drill down to reveal timings for such events



Customized system service notifications by email



Access Arranger controller and Digi IP device firmware updates over the cloud

## 6000 Series 4K VIDEO OVER IP

Build high-quality, zero frame latency 4K-capable AV matrix, multi-view, and video wall solutions easily over a 10Gb network infrastructure. The 6000 series can route HDMI 2.0 4K video, HD audio, USB Touch Control, bi-directional IR, and RS232 signals as an encoder or decoder or can be used as both an encoder and decoder in transceiver mode.



IPEX6000TC-C (RJ45)



IPEX6000TC-F (SFP+)

Two models available, the IPEX6000TC-C can be connected to a switch using CAT6A / RJ45 and the IPEX6000TC-F can be connected to switch using fiber optic cable and an SFP+ transceiver (10Gb transceiver included). The copper version (RJ45) supports PoE.



Arranger System Controller  
IPEXAR-6000



\*Rack mounting accessories available

### SUITABLE APPLICATIONS



REAL-TIME OPERATION CONTROL



CORPORATE



EDUCATION AND TRAINING



RESIDENTIAL



KVM



Stream 4K@60Hz 4:4:4 video as well as static and dynamic HDR content over a 10Gb managed network. Scale and route ANY content to ANY type of display, 4K, 1080p or 720p



Zero frame latency for critical live environments



Support video wall applications with easy-to-build video wall presets



Through interoperability and standardization, the SDVoE platform enables great AV user experiences



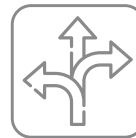
Offers 40+ preset multi-view layout configurations



Follows 10Gbps network standards and extends full 4K@60 4:4:4 resolution format and capability up to 100m over Cat6A or 300m using multi-mode fiber



Extend Gigabit ethernet to any endpoint for control system, streaming, and other network connectivity

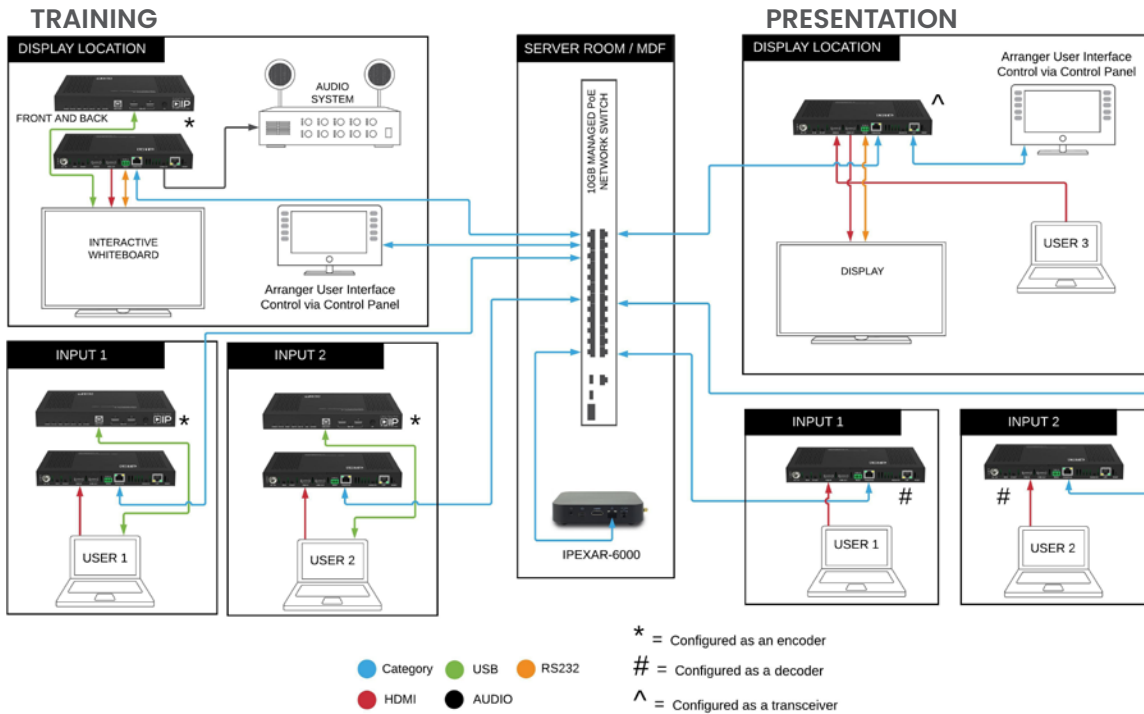


Flexible HDCP management per decoder is built in. 4K TV with no HDCP 2.2 support? No problem



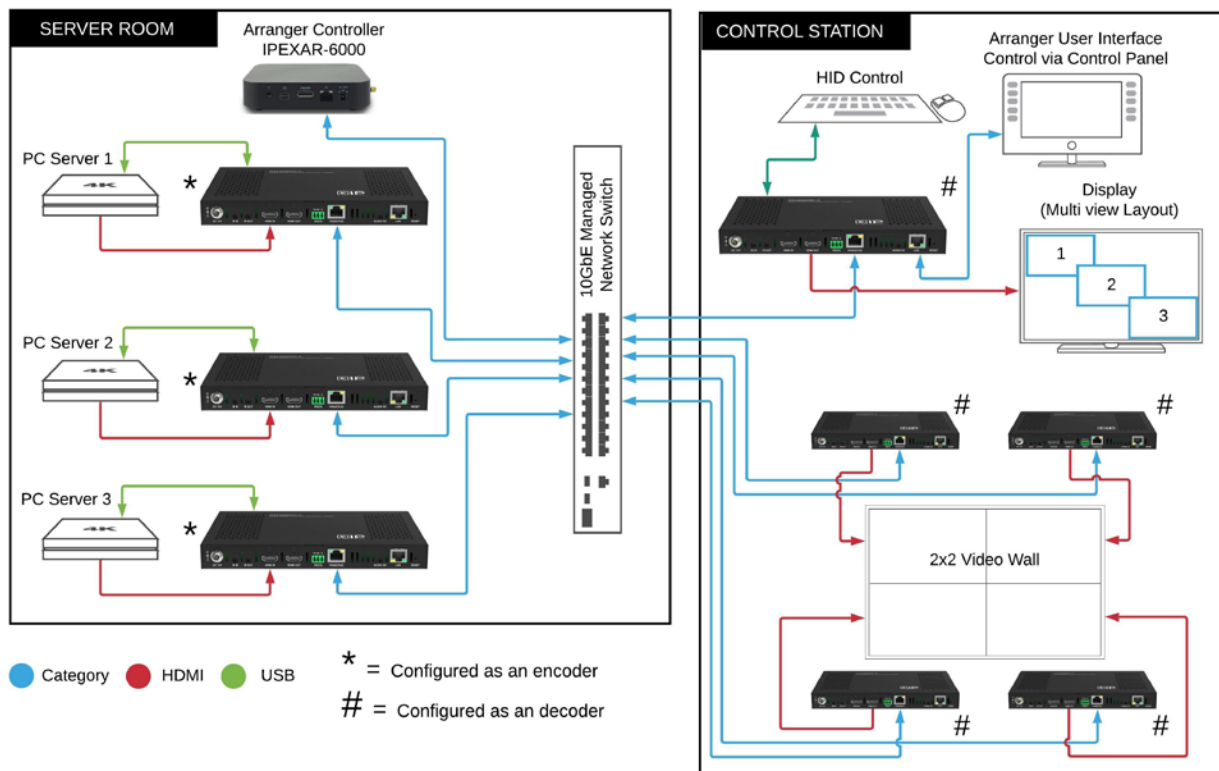
TRAINING / PRESENTATION ROOMS

Manage Many Room Types with One Platform



KVM SYSTEM, RTOC

Zero Latency Control!



# 5000 Series 4K VIDEO OVER IP

Build flexible 4K-capable AV matrix and video wall solutions easily over a 1Gb network infrastructure. The 5000 series can route HDMI 4K video, HD audio, USB full speed, bi-directional IR and RS232 signals from any encoder to any decoder independently.



IPEX5001-D



IPEX5002



IPEX5001



IPEX5001-WP-W



Arranger System Controller  
 IPEXAR-5000

\*Rack mounting accessories available

## SUITABLE APPLICATIONS



CORPORATE



EDUCATION AND TRAINING



VENUES



KVM



Encoders and decoders can be powered using a Managed PoE Network switch. No power supplies required



Encoding AV streams with JPEG 2000 is ideal for generating visually lossless AV signals over 1Gb network and providing AV systems such as training rooms and conference rooms with low-latency performance



Streams visually lossless 4K HDR10 content over a 1Gb Managed Network. Scale and route ANY content to ANY type of display, 4K, 1080p or 720p



Visually lossless compression allows for low-latency performance, <2fps



Supports video wall applications with easy to configure video wall presets



Route AV signals over a low-cost 1Gb network infrastructure. No 10Gb switches required

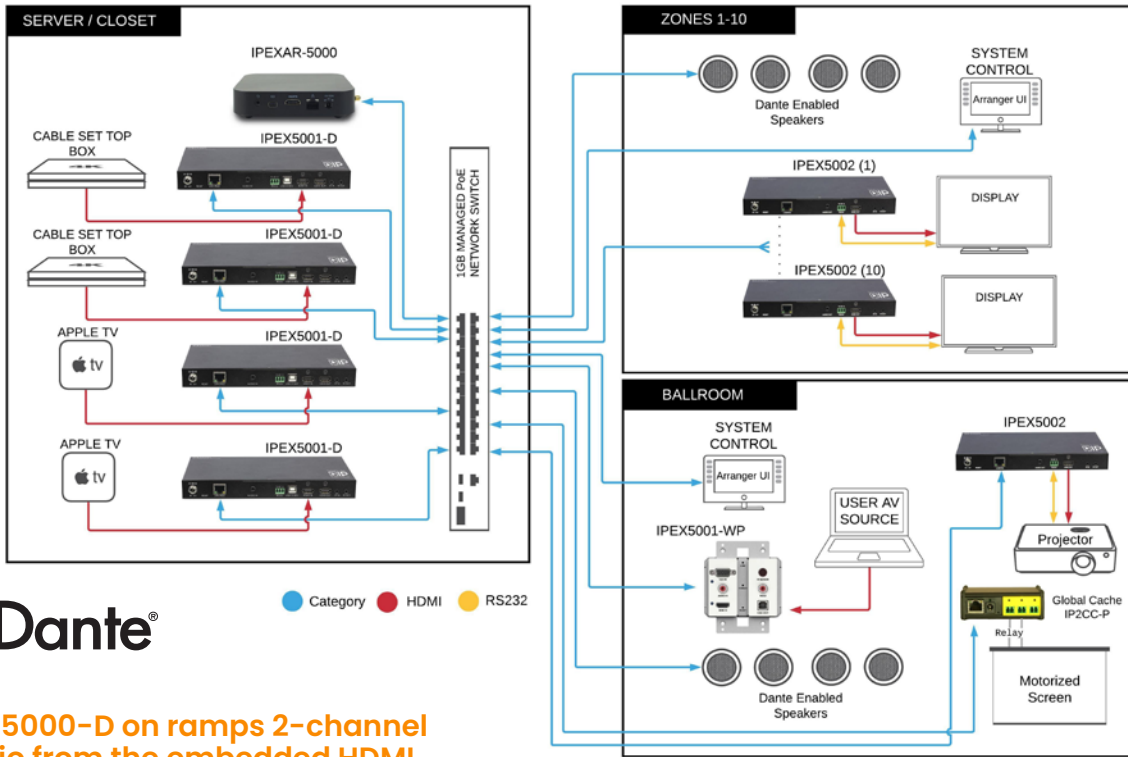


Using the IPEX5001-D Dante enabled encoder, on ramp 2 channels of audio either from the HDMI embedded audio or from the 3.5mm analog audio input onto a Dante network. Video and Dante audio in ONE cable



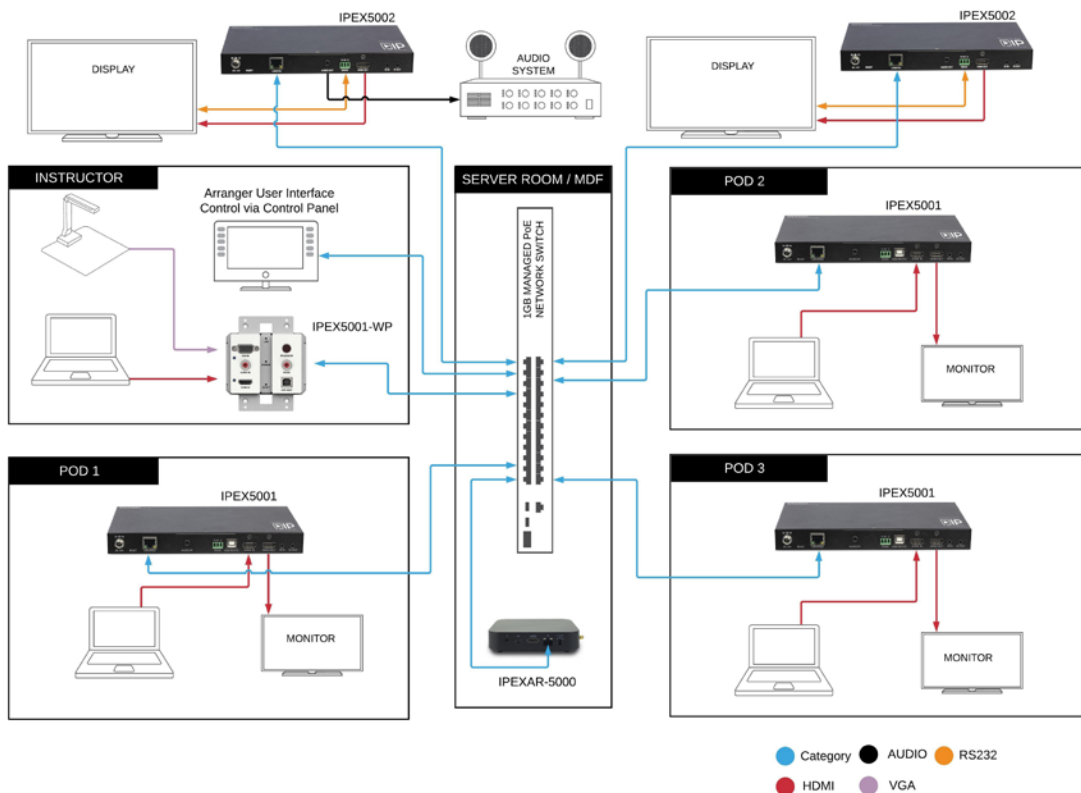
Flexible HDCP management per decoder is built in. 4K TV with no HDCP 2.2 support? No problem

## ENTERTAINMENT / HOSPITALITY VENUE



**IPEX5000-D on ramps 2-channel audio from the embedded HDMI audio or analog audio input**

## LEARNING SPACES



# 2100 Series 1080p VIDEO OVER IP

Build flexible 1080p capable AV matrix and video wall solutions easily over a 1Gb network infrastructure. The 2100 series can route HDMI HD audio/video and RS232 signals from any encoder to any combination of decoders.



IPEX2100

\*Rack mounting accessories available



Arranger System Controller  
 IPEXAR-2100

## SUITABLE APPLICATIONS



RETAIL



CORPORATE



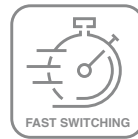
VENUES



HOSPITALITY



Encoders and decoders can be powered using a Managed PoE Network switch. No power supplies required



Features fast / seamless switching for high-performance environments



Stream signals up to 1080p / Full HD and 1920x1200 onto a 1Gb managed network. Advanced auto-scaling output on each decoder allows for simple integration



Route AV signals over a low-cost 1Gb network infrastructure. No 10Gb switches required

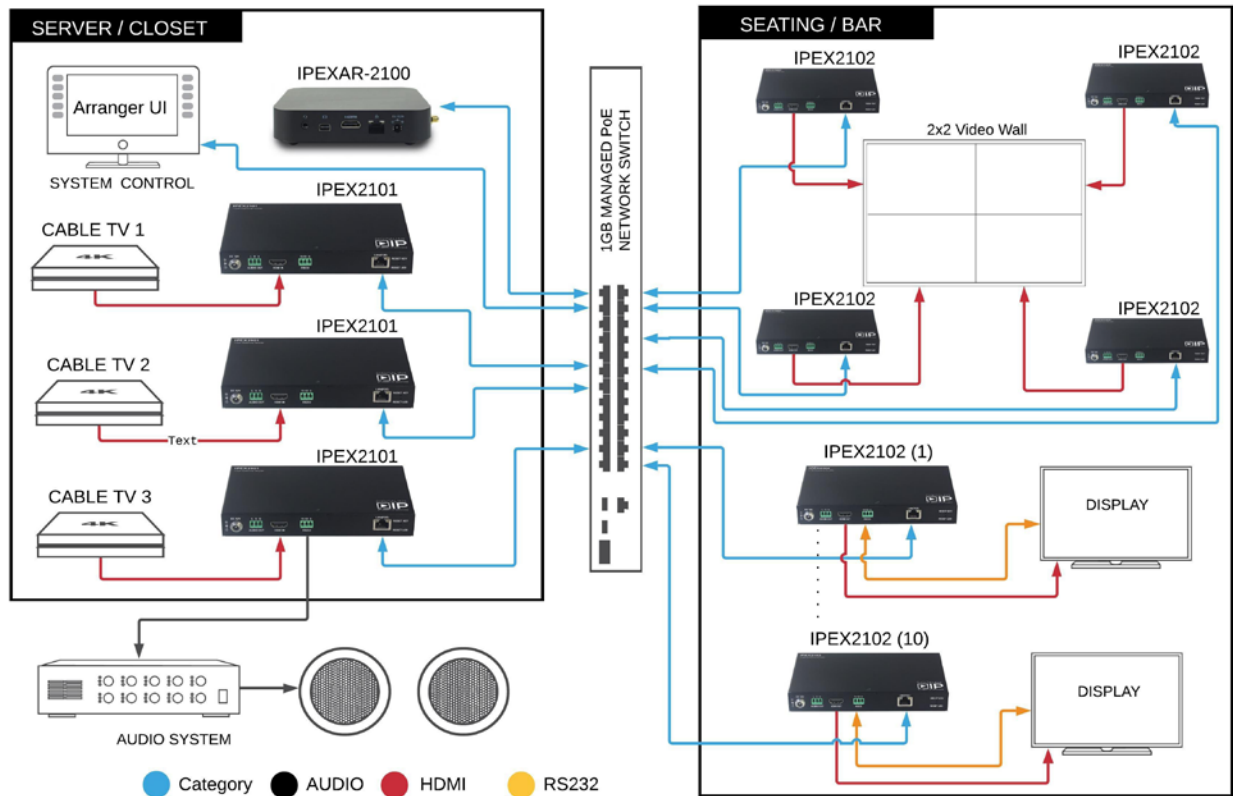


Supports video wall applications with easy-to-configure video wall presets

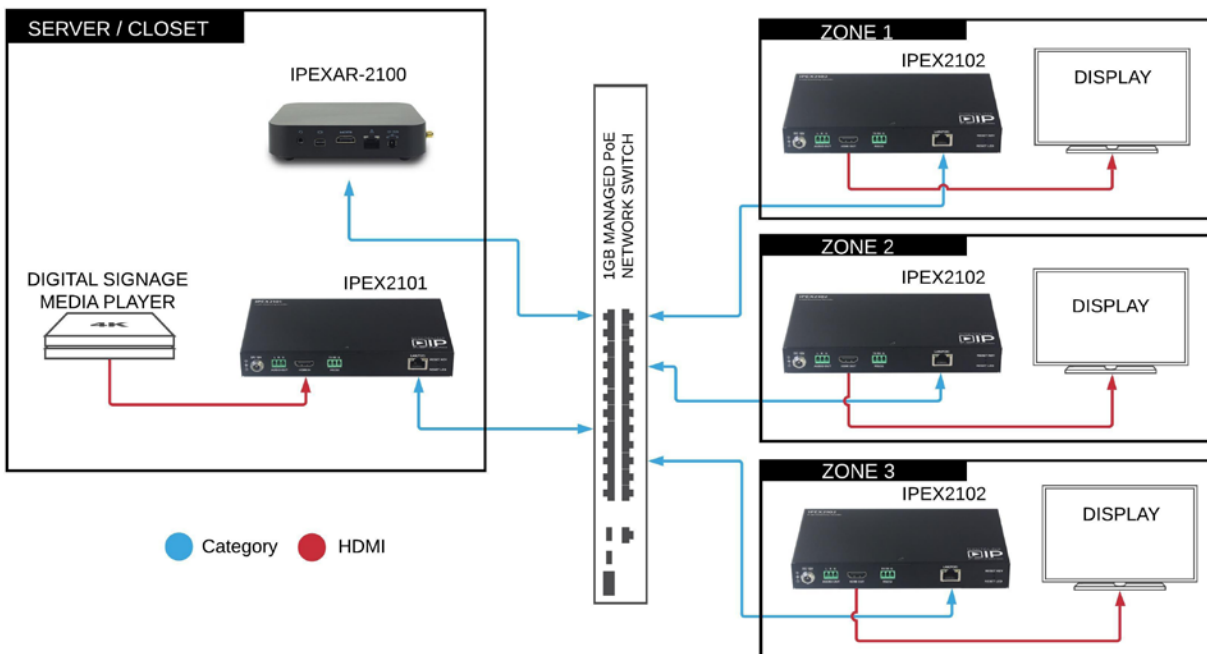


Encoding AV streams with h.264 is ideal for generating AV signals over 1Gb network and providing AV systems for entertainment venues and digital signage

## SPORTS BAR / RESTAURANT



## DIGITAL SIGNAGE





## TECHNICAL SUPPORT Teleportivity QR Support Portal

### LIVE SUPPORT, EASY ACCESS TO DOCUMENTS

.....

- QR code comes in every box for Digi IP and Arranger products for easy access to live support
- Includes instructional videos, switch settings, AV diagrams
- Instant Access to LIVE phone product support with remote access assistance
- Sticker is in the box; you can peel off the QR portion to apply directly to hardware or rack location for support access

**HEY! THIS IS NO ORDINARY BARCODE**

PEEL HERE ↓



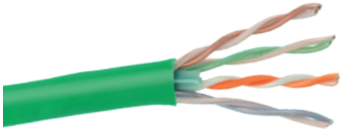
**YOUR INTERACTIVE SUPPORT PORTAL FOR:**

- Video instructions
- Install guide
- System diagrams
- Live telephone support



Liberty AV / DigiLinXIP 2100 Series

## INFRASTRUCTURE FOR DIGI IP



**Category 6 U/UTP EN Series 23 AWG  
4 Pair Unshielded Cable Reel**  
24-4P-P-L6-EN

- Solid annealed bare copper conductors
- Fluoropolymer insulation
- 4 pairs twisted in varying lays and cabled
- Plenum-rated PVC jacket
- TIA/EIA-568-C category 6 and tested to 550 MHz
- NEC CMP, CEC CMP FT6, RoHS-compliant
- 1000-foot spools, nested boxes, or cool spool boxes



**Liberty Reduced Profile HDMI Patching  
Cables with High Retention**  
M2-HDSEM-M SERIES

- High-retention gold-plated HDMI "A" plugs fully shielded from connector shroud to shroud
- High-speed HDMI with Ethernet rated
- Audio Return, Ethernet, CEC on all lengths
- AWM-rated, RoHS/REACH Compliant
- Lengths: 1, 2, 3, 4, 5, 6, 8, 10, 12, and 15 feet



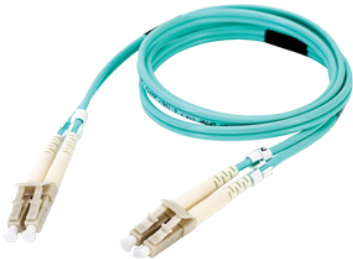
**Category 6 F/UTP EN Series 23 AWG  
4 Pair Shielded Cable Reel**  
24-4P-P-L6SH

- 23 AWG solid bare copper conductors
- FEP, fluorinated ethylene propylene (Teflon™)
- Color striping on white conductors
- Varying lay twisted pairs cabled on a common axis
- 100% foil shield with foil and drain facing in
- Ripcord under the jacket
- PL-PVC, plenum-rated polyvinyl chloride alloy jacket



**LAN Solutions Shielded Category 6  
Pre-Made Patch Cable**  
PC6BS

- Category 6 F/UTP shielded stranded patch cable
- 8P8C modular RJ45 plugs with gold flash plated contacts
- Strain relief boots as required by 568 standards
- Factory tested to ANSI/TIA-568C Cat6 patch cable
- UL-listed AWM, RoHS-compliant



**Fibertron Duplex Fiber Optic  
Patch cable OM3 Laser Optimized  
Multimode LC-LC**  
DMM10LCLC

- OM3 50/125 Laser-Optimized Multimode Fiber
- Zipcord style plenum-rated construction
- LC duplex to LC duplex Connectivity
- 1, 2, 3 meters standard lengths, other lengths available on request
- Aqua-colored jacket designates Laser-Optimized Multimode
- NEC OFNP, CEC FT6, RoHS-compliant

## THE ALL-NEW NIVEO PROFESSIONAL ZERO-CONFIG VIDEO-OVER-IP SWITCHES



### RELIABLE – EASY – AFFORDABLE

The all-new NGS-IPV-switches are designed to make any Video-over-IP project as simple as can be. Simply unpack, plug in, and go! Powers most standard PoE+ encoders and decoders. The built-in remote management software allows for easy access and monitoring of the switches and the encoders and decoders. Supports most 1-Gigabyte based Video-over-IP systems.

- Liberty stocks Niveo Level 2 Managed PoE Network Switches perfectly suited to work with Digi IP encoders and decoders
- Preconfigured switches AND systems available! SAVE THOUSANDS IN LABOR
- The NGS-IPV switches are preconfigured out of the box to work with Digi IP. No network configuration required for single-network switch systems

**Liberty**

[www.libav.com](http://www.libav.com) 800-530-8998