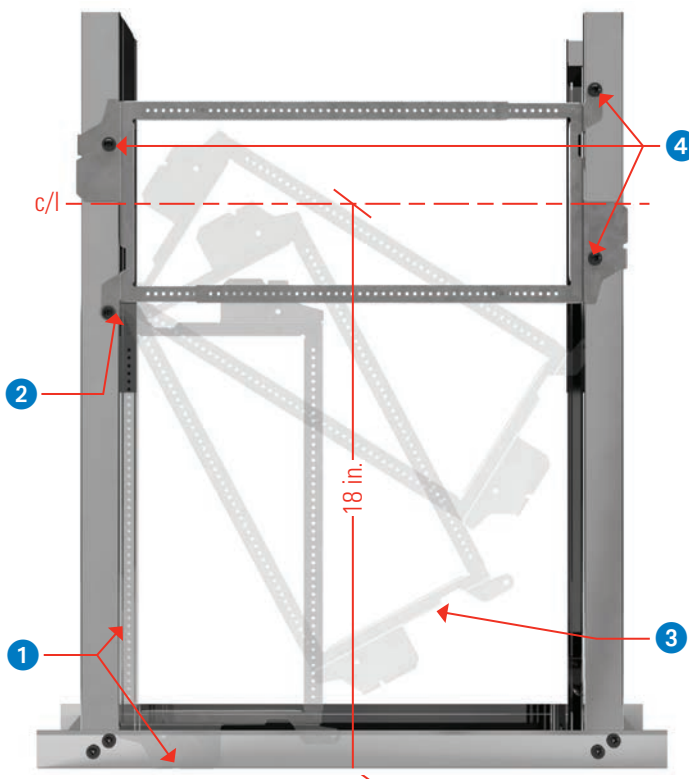


Telescoping bracket and box mounting brackets



Telescoping bracket

With an auto-height adjustment, the rigid BBT-HF telescoping bracket is quick and easy to install. Simply slide the bracket to the width required and snap both ends of the bracket to the stud and secure with screws.



Telescoping bracket

- 1 With bracket fully collapsed, align next to stud with right side at the floor.
- 2 Install sheet metal screw into pivot point.
- 3 Rotate bracket around the installed screw at the pivot point.
- 4 Expand bracket, snap to stud and affix with screws. Center line will be 18" AFF.

Features

- Easily adjust to accommodate stud widths of 14½" thru 25"; a secure fit at all stud spacings
- Bracket includes an auto height adjustment feature
- Self-leveling when snapped onto stud, no need for additional leveling tools
- Easy to identify center line on both sides of the bracket
- Snap on feature works on 1¼" thru 1⅜" inch width studs.
- For studs wider than 1⅜" utilize the BBT-WF
- Designed to mount boxes at the exact height on either side of the stud without overlap of adjacent brackets
- Continuous hole pattern allows for positioning of the box mounting bracket anywhere along the length of the bracket
- UL Listed for U.S. and Canada; CSA certified

Patent pending (all parts)

Catalog #	Description	Stud Spacing	Box Qty.
BBT-HF	Telescoping box bracket	14½" - 25"	25
BBT-WF	Telescoping box bracket for wide flange studs	14½" - 25"	25



Telescoping bracket with box mounting brackets installed



Powering Business Worldwide

Box mounting brackets

The BBA box mounting bracket and the BBA-4 box mounting bracket with support flange snap easily onto the BBT-HF telescoping bracket.

Catalog #	Description	Stud Depth	Box Qty.
BBA	Box mounting bracket	—	25
BBA-2	Box mounting bracket with back side support	2½"	25
BBA-4	Box mounting bracket with back side support	2½" - 6"	25

Features

- Marty Mouse™ ears to retain the box when plaster ring is removed
- Rabbit Ears™ to attach a plaster ring for data devices without using a box
- Accepts 4", 4^{11/16}" and 5" square box sizes
- Built-in, snap off back support extension for studs from 2.5" to 6" studs
- No need to measure additional box heights – features interlocking brackets to easily and quickly mount boxes side-by-side
- Faster daisy chain boxes; two brackets mount to the same side of the stud
- Works with standard or adjustable mud rings and Rapid Ring self-adjusting pre-fab ring
- Use with BBT-HF or directly to stud
- UL Listed for U.S. and Canada; CSA certified

Patent pending (all parts)



Advantage of B-Line series brackets

No need to measure box heights with interlocking brackets

Mounting boxes side-by-side has never been easier.

- Designed to mount two boxes at exactly the same height on either side of the stud.

No box needed for DataComm accessories

Innovative rabbit ears make it possible.

- Rabbit Ears and mud ring allow data communication devices, such as card readers, to be attached to the bracket without the use of a box.

One SKU mounts multiple box sizes - fewer parts to handle on the job-site

Built-in back support accessory for job-site flexibility.

- Bracket accepts 4" 4^{11/16}", and 5" boxes.
- Bracket extender easily snaps off of the bracket to snap into place as a back support for up to 6" stud depths.

Faster daisy chain boxes

Faster installs with B-Line series solutions.

- Two brackets mount to the same side of a stud at the same height.



[Eaton.com/BBT-HF](https://www.eaton.com/BBT-HF)

Eaton
1000 Eaton Boulevard
Cleveland, OH 44122
United States
Eaton.com

© 2022 Eaton
All Rights Reserved
Printed in USA
Publication No. SA306031EN
March 2022

EATON
Powering Business Worldwide

Eaton is a registered trademark.

All other trademarks are property of their respective owners.

Follow us on social media to get the latest product and support information.

