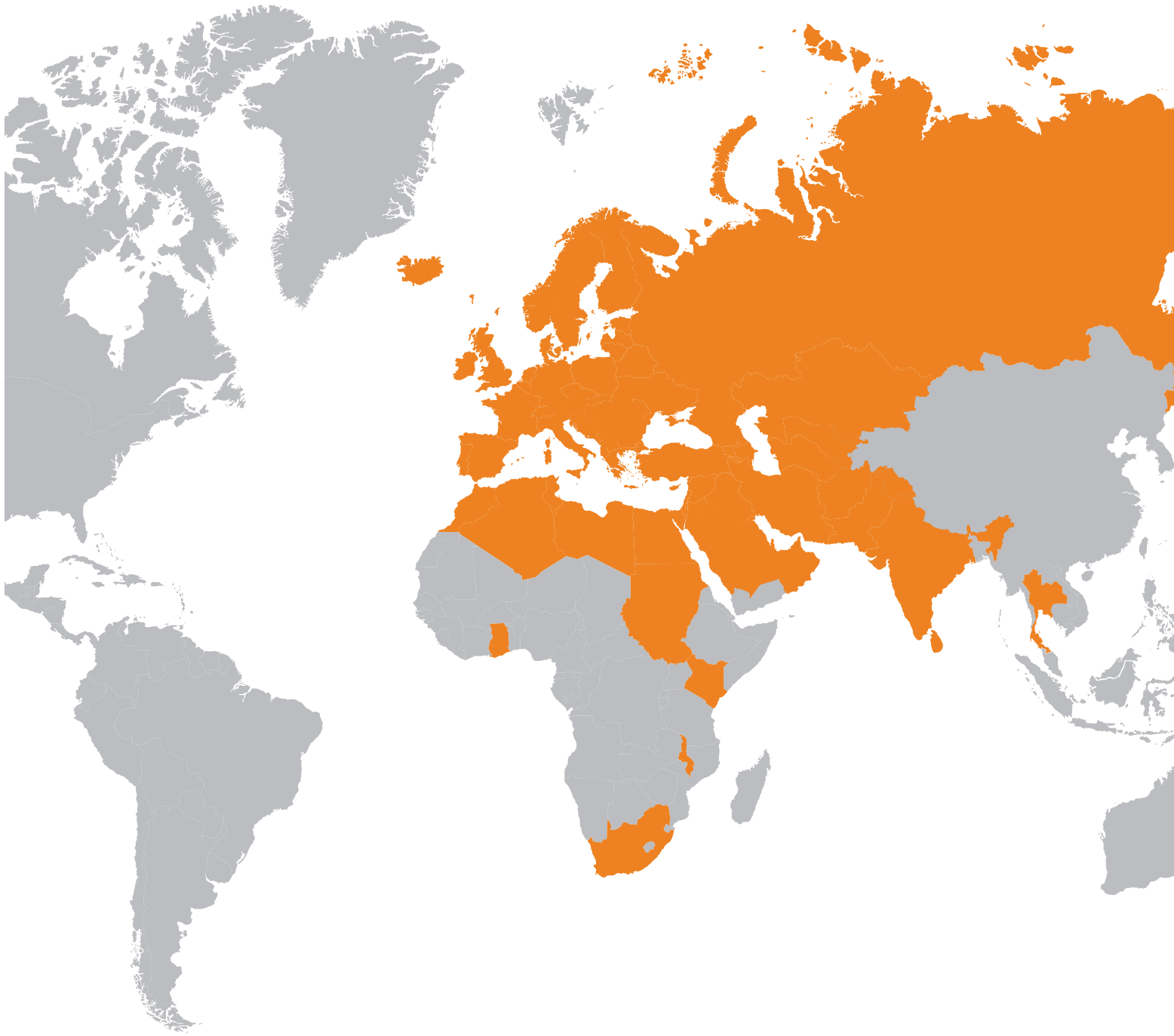




Product Catalog

Industrial Enclosures

CONTEG



WE ARE CONTEG

Since 1998, Conteg has been moving step by step toward the top of the market. We're a leader in supplying complete solutions for data centers, along with all variety of telecommunication cabinets and industrial enclosures. Our representatives can be found in sixty countries, on three continents. We deliver to small businesses, large corporations and complex industrial centers, and can assist you as well. Customer satisfaction is our driving force, though everything begins and ends with trust. Allow us an opportunity to prove that our consistent, personal approach will ensure innovative, effective solutions to suit your every need.



Conteg in numbers

Year of foundation: 1998

International branches and showrooms: 10

Partners: in 60 countries on 3 continents

Headquarters: Prague, Czech Republic

Production plant and central warehouse: Pelhrimov, Czech Republic



Headquarters: Prague, Czech Republic



Production plant and central warehouse:
Pelhrimov, Czech Republic

Conteg – industrial switch cabinets

Nowadays, electrical engineering and automation is everywhere. It speeds up production processes and makes them easier, but it also enables unmanned control of intersections or rail crossings. The foundation for both outdoor and indoor installations are high-tech cabinets and Conteg offers a comprehensive range of these cabinets. In expanding its industrial cabinet portfolio, it has used its long-term experience in developing and manufacturing IT cabinets.

In this catalog, we present to you the inTEG series that includes WME wall cabinets and free standing FSE cabinets.



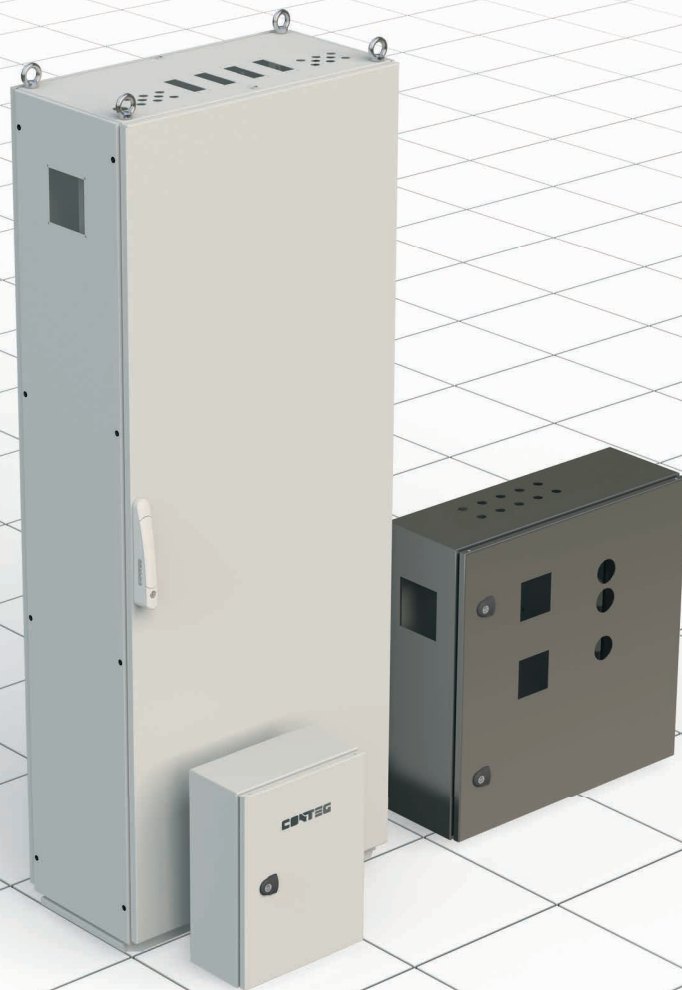
For more information contact our sales or technical team at www.conteg.com/contacts

Contents

INDUSTRIAL ENCLOSURES inTEG AND THEIR USE	5
01 inTEG FSE FREE STANDING ENCLOSURES	6
inTEG FSE free standing enclosures – benefits and specifications	8
Steel sheet	9
Accessories	13
02 inTEG WME COMPACT ENCLOSURES	22
inTEG WME compact enclosures – benefits and specification	24
Sheet steel, sheet steel with glazed doors	25
Stainless steel	31
Outdoor version	34
Accessories	38
03 CLIMATE CONTROL SOLUTIONS	48
Filter fan units	50
Cooling units	51
04 TECHNICAL DRAWINGS	54
inTEG FSE free standing enclosures	56
Steel sheet	56
inTEG WME compact enclosures	58
Sheet steel, sheet steel with glazed doors	58
Stainless steel	61
Outdoor version	63
HEATING DISSIPATION IN ENCLOSURES	65
SAFETY WARNING SIGNS	69
INDEX	71

Conteg – modifications





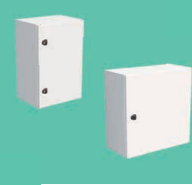
Customizations are being carried out at the Modification center, which is part of the modern production plant in Pelhřimov. The center also includes the MODCentrum 29 CNC milling machine. We are able to prepare cut-outs for filter fans, cooling units, control panels and for buttons. All into sheet steel, stainless steel (AISI 304 and 316L) or aluminum cabinets. The cut-outs can be realized into flat removable parts of the rack cover (doors, cable glands, side panels, roofs and mounting plates), but also into welded monolithic enclosures.



For more information, please contact our sales or technical team at www.conteg.com/contacts

INDUSTRIAL ENCLOSURES inTEG AND THEIR APPLICATION

➤ **Conteg** offers a comprehensive range of industrial rack cabinets inTEG, that meet all of the requirements for application in even the most demanding industrial environments. We offer not only compact sheet steel racks, but also large, free-standing cabinets suitable for connecting in rows. You can choose from many sizes and four types of materials, it depends only on the area of use. Both series of racks meet the high degree of coverage requirements. InTEG industrial rack cabinets are manufactured in our production plant in Pelhřimov using state-of-the-art technological processes, thanks to which they have first-class functional properties, mechanical resistance and long life.

INDUSTRIAL ENCLOSURES inTEG					
	FSE SHEET STEEL	WME SHEET STEEL	WME-G WITH GLAZED DOORS	WME-X STAINLESS STEEL	WME-O OUTDOOR VERSION
					
	Page 9	Page 25	Page 25	Page 31	Page 34
Application	Indoor installations	Indoor installations	Indoor installations	Indoor installations Outdoor installation Food and chemical industry	Outdoor installation
Material	Sheet steel	Sheet steel	Sheet steel with glazed doors	Stainless steel 1.4301 (AISI 304) Stainless steel 1.4404 (AISI 316L)	Stainless steel
Version	Single-door Double-door	Single-door Double-door	Single-door Double-door	Single-door Double-door	Single-door
IP rating	IP55	IP66 IP55	IP66 IP55	IP66 IP55	IP66
Mechanical resistance	IK10	IK10	IK10 IK8	IK10	IK10
Color	RAL 7035	RAL 7035	RAL 7035	–	RAL 7035
Surface finish	Powder coated	Powder coated	Powder coated	Fine ground surface	Outdoor powder coated with UV protection



Many applications in the areas of measurement and control, automation, machine and plant control require that the temperature within the cabinets/enclosures is controllable. We calculate the required cooling/heating power to maintain stable thermal comfort for the installed elements inside the cabinets and we then recommend you the appropriate sort of cooling.

- Wall and top air conditioning units - cooling capacity from 320 W to 4000 W
- Thermoelectric unit - cooling and heat output up to 200 W
- Filter fans - air flow 12 to 800 m³ / h
- Heating units - permanent heating output 45 to 800 W



01

inTEG FSE
FREE-STANDING
ENCLOSURES



**inTEG FSE free-standing enclosures
– benefits and specifications**

8

Sheet steel

9

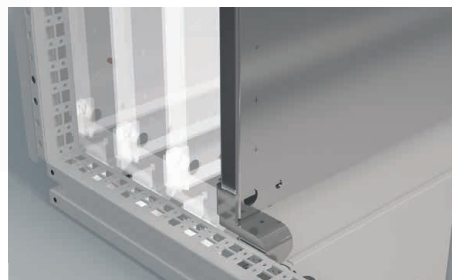
Accessories

13

inTEG FSE FREE-STANDING ENCLOSURES



➤ **inTEG free-standing enclosures** are our key product for industrial applications. The welded rack frame is made of a special cold-rolled profile. This technological process together with the patented shape of the profile meets the maximum rigidity and load requirements of the rack. The inTEG cabinet can be used without any additional stand thanks to the design of the lower frame, this solution does not reduce the space for the indoor installations. To create a variety of mounting surfaces and planes, we offer a wide range of system accessories designed for optimal use of the frame profile. Of course, there is also a solution for the thermal management of the internal space of the enclosure. From heating units all the way to filter fans and active cooling units.



Maximum use of interior space - possibility of placing the mounting plate between the rear uprights



Wide range of system rails creates additional mounting levels for individual installation.



Easy to close doors thanks to a special 4-point locking system

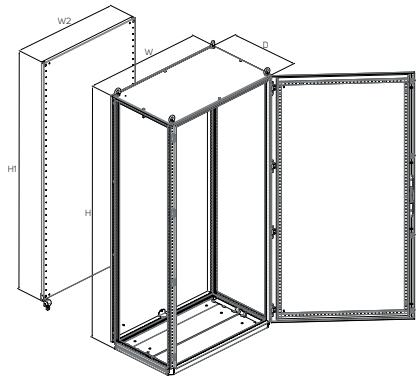
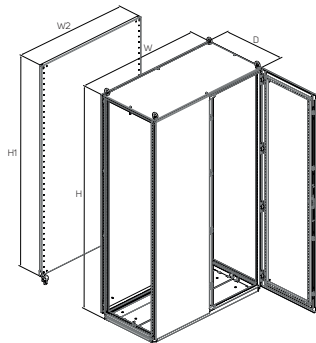


Designed lift-up handle part of the standard equipment

MAIN ADVANTAGES

- Welded frame construction made of special cold-rolled profile - powder coated
- The closed cold-rolled profile is made out of a zinc-plated sheet steel and is welded by a laser
- Load capacity 1500 kg
- Single-door and double-door cabinet designs
- Can be installed without an additional supporting plinth
- Designer lift-up handle - the standard for all rack types
- Easy to close doors thanks to a special locking system
- Maximum use of interior space - possibility of placing the mounting plate between the rear posts
- Easy side panel fixing thanks to the possibility of hanging
- Possible to assemble into a row
- 46 sizes from 1800x400x500 mm up to 2200x1200x800 mm
- Wide assortment of accessories
- Tailor-made customer solutions - cut-outs according to your requirements before and after final surface finishing
- Norms EN 61439, EN 62208

SHEET STEEL



COLOR:  RAL 7035

TECHNICAL SPECIFICATIONS

Material

- Frame: zinc-plated electrolytic material DC1+ZE25/25APC
- Rack: sheet steel
- Mounting plate: zinc-plated sheet steel

Rack surface finish

- Epoxy-polyester powder coating

Color

- RAL 7035 for indoor use

IP rating

- IP55 according to the EN 60529 norm (the degree of protection can be reduced after mounting some accessories)

Mechanical resistance

- IK10 according to IEC 6226

Supply includes:

- Welded frame construction of the enclosure
- Full door with swing handle (single-door / two-door), doors are equipped with a four-point locking system

- The door hinges are located on the right-hand side of the single-door rack (door can be changed to open from right to left)
- Rear and top panel
- Multi-part gland plate
- Mounting plate with raster
- Transport holes

For detailed technical information, see page 56-57

FREE-STANDING ENCLOSURE HEIGHT 1800 mm										
Enclosure	H (mm)	1800	1800	1800	1800	1800	1800	1800	1800	1800
	W (mm)	400	400	600	600	600	800	800	800	800
	D (mm)	500	600	400	500	600	400	500	500	600
Mounting plate	H1 (mm)	1691	1691	1691	1691	1691	1691	1691	1691	1691
	W2 (mm)	297	297	497	497	497	697	697	697	697
Material thickness (mm)	Rear and top panel	1.5	1.5	1.5	1.5	1.5	1.5	1.5	1.5	1.5
	Door sections	2	2	2	2	2	2	2	2	2
	Mounting plate	3	3	3	3	3	3	3	3	3
Door		1	1	1	1	1	1	1	2	1
Gland plate, number of parts		2	3	2	2	3	2	2	2	3
Weight (kg)		71.2	72.1	91.2	92.3	95.9	112.3	115.7	118.1	120.5
Code	1 pc	FSE-180405	FSE-180406	FSE-180604	FSE-180605	FSE-180606	FSE-180804	FSE-180805	FSE-280805	FSE-180806
ACCESSORIES										
Side panels	1 set	ID-F-S1805	ID-F-S1806	ID-F-S1804	ID-F-S1805	ID-F-S1806	ID-F-S1804	ID-F-S1805	ID-F-S1805	ID-F-S1806
Baying kit	1 set	ID-F-ROW	ID-F-ROW	ID-F-ROW	ID-F-ROW	ID-F-ROW	ID-F-ROW	ID-F-ROW	ID-F-ROW	ID-F-ROW
Plinth 100 mm	front and rear	1 set	ID-F-PF04	ID-F-PF04	ID-F-PF06	ID-F-PF06	ID-F-PF06	ID-F-PF08	ID-F-PF08	ID-F-PF08
	side parts		ID-F-PS05	ID-F-PS06	ID-F-PS04	ID-F-PS05	ID-F-PS06	ID-F-PS04	ID-F-PS05	ID-F-PS05
Plinth 200 mm	front and rear	1 set	ID-F-PF0402	ID-F-PF0402	ID-F-PF0602	ID-F-PF0602	ID-F-PF0602	ID-F-PF0802	ID-F-PF0802	ID-F-PF0802
	side parts		ID-F-PS0502	ID-F-PS0602	ID-F-PS0402	ID-F-PS0502	ID-F-PS0602	ID-F-PS0402	ID-F-PS0502	ID-F-PS0502
Mounting rails	1 set	see pages 14-16								

To order the cabinet without the mounting plate, use code FSE-xxxxx-01

FREE-STANDING ENCLOSURE HEIGHT 1800 mm

Enclosure	H (mm)	1800	1800	1800	1800	1800	1800	1800	1800
	W (mm)	800	1000	1000	1000	1000	1200	1200	1200
	D (mm)	600	400	400	500	600	400	500	600
Mounting plate	H1 (mm)	1691	1691	1691	1691	1691	1691	1691	1691
	W2 (mm)	697	897	897	897	897	1097	1097	1097
Material thickness (mm)	Front and rear panel	1.5	1.5	1.5	1.5	1.5	1.5	1.5	1.5
	Door sections	2	2	2	2	2	2	2	2
	Mounting plate	3	3	3	3	3	3	3	3
Door		2	1	2	1	1	2	2	2
Gland plate, number of parts		3	2	2	2	3	4	4	6
Weight (kg)		123.9	138.9	142.3	139.8	140.8	166.2	167.2	168.2
Code	1 pc	FSE-280806	FSE-181004	FSE-281004	FSE-181005	FSE-181006	FSE-281204	FSE-281205	FSE-281206

ACCESSORIES

Side panels	1 set	ID-F-S1806	ID-F-S1804	ID-F-S1804	ID-F-S1805	ID-F-S1806	ID-F-S1804	ID-F-S1805	ID-F-S1806
Baying kit	1 set	ID-F-ROW	ID-F-ROW	ID-F-ROW	ID-F-ROW	ID-F-ROW	ID-F-ROW	ID-F-ROW	ID-F-ROW
Plinth 100 mm	front and rear	1 set	ID-F-PF08	ID-F-PF10	ID-F-PF10	ID-F-PF10	ID-F-PF10	ID-F-PF12	ID-F-PF12
	side parts		ID-F-PS06	ID-F-PS04	ID-F-PS04	ID-F-PS05	ID-F-PS06	ID-F-PS04	ID-F-PS05
Plinth 200 mm	front and rear	1 set	ID-F-PF0802	ID-F-PF1002	ID-F-PF1002	ID-F-PF1002	ID-F-PF1002	ID-F-PF1202	ID-F-PF1202
	side parts		ID-F-PS0602	ID-F-PS0402	ID-F-PS0402	ID-F-PS0502	ID-F-PS0602	ID-F-PS0402	ID-F-PS0502
Mounting rails	1 set	see pages 14–16							

To order the cabinet without the mounting rails, use code FSE-xxxxxx-01

FREE-STANDING ENCLOSURE HEIGHT 2000 mm

Enclosure	H (mm)	2000	2000	2000	2000	2000	2000	2000	2000
	W (mm)	400	400	600	600	600	600	800	800
	D (mm)	500	600	400	500	600	800	400	400
Mounting plate	H1 (mm)	1891	1891	1891	1891	1891	1891	1891	1891
	W2 (mm)	297	297	497	497	497	497	497	697
Material thickness (mm)	Rear and top panel	1.5	1.5	1.5	1.5	1.5	1.5	1.5	1.5
	Door sections	2	2	2	2	2	2	2	2
	Mounting plate	3	3	3	3	3	3	3	3
Door		1	1	1	1	1	1	1	1
Gland plate, number of parts		2	3	2	2	3	4	2	2
Weight (kg)		76.5	77.9	99.4	101.1	102.8	106.4	123.6	123.6
Code	1 pc	FSE-200405	FSE-200406	FSE-200604	FSE-200605	FSE-200606	FSE-200608	FSE-200804	FSE-200804

ACCESSORIES

Side panels	1 set	ID-F-S2005	ID-F-S2006	ID-F-S2004	ID-F-S2005	ID-F-S2006	ID-F-S2008	ID-F-S2004	
Baying kit	1 set	ID-F-ROW	ID-F-ROW	ID-F-ROW	ID-F-ROW	ID-F-ROW	ID-F-ROW	ID-F-ROW	
Plinth 100 mm	front and rear	1 set	ID-F-PF04	ID-F-PF04	ID-F-PF06	ID-F-PF06	ID-F-PF06	ID-F-PF08	
	side parts		ID-F-PS05	ID-F-PS06	ID-F-PS04	ID-F-PS05	ID-F-PS06	ID-F-PS08	ID-F-PS04
Plinth 200 mm	front and rear	1 set	ID-F-PF0402	ID-F-PF0402	ID-F-PF0602	ID-F-PF0602	ID-F-PF0602	ID-F-PF0802	
	side parts		ID-F-PS0502	ID-F-PS0602	ID-F-PS0402	ID-F-PS0502	ID-F-PS0602	ID-F-PS0802	ID-F-PS0402
Mounting rails	1 set	see pages 14–16							

To order the cabinet without the mounting plate, use code FSE-xxxxxx-01

FREE-STANDING ENCLOSURE HEIGHT 2000 mm								
Enclosure	H (mm)	2000	2000	2000	2000	2000	2000	2000
	W (mm)	800	800	800	1000	1000	1000	1000
	D (mm)	500	600	800	400	400	500	500
Mounting plate	H1 (mm)	1891	1891	1891	1891	1891	1891	1891
	W2 (mm)	697	697	697	897	897	897	897
Material thickness (mm)	Rear and top panel	1.5	1.5	1.5	1.5	1.5	1.5	1.5
	Door sections	2	2	2	2	2	2	2
	Mounting plate	3	3	3	3	3	3	3
Door		1	1	1	1	2	1	2
Gland plate, number of parts		2	3	4	2	2	2	2
Weight (kg)		125.5	127	131.5	144.4	148.9	148.4	154.5
Code	1 pc	FSE-200805	FSE-200806	FSE-200808	FSE-201004	FSE-301004	FSE-201005	FSE-301005
ACCESSORIES								
Side panels	1 set	ID-F-S2005	ID-F-S2006	ID-F-S2008	ID-F-S2004	ID-F-S2004	ID-F-S2005	ID-F-S2005
Baying kit	1 set	ID-F-ROW	ID-F-ROW	ID-F-ROW	ID-F-ROW	ID-F-ROW	ID-F-ROW	ID-F-ROW
Plinth 100 mm	front and rear	1 set	ID-F-PF08	ID-F-PF08	ID-F-PF08	ID-F-PF10	ID-F-PF10	ID-F-PF10
	side parts		ID-F-PS05	ID-F-PS06	ID-F-PS08	ID-F-PS04	ID-F-PS04	ID-F-PS05
Plinth 200 mm	front and rear	1 set	ID-F-PF0802	ID-F-PF0802	ID-F-PF0802	ID-F-PF1002	ID-F-PF1002	ID-F-PF1002
	side parts		ID-F-PS0502	ID-F-PS0602	ID-F-PS0802	ID-F-PS0402	ID-F-PS0402	ID-F-PS0502
Mounting rails	1 set	see pages 14-16						

To order the cabinet without the mounting plate, use code FSE-xxxxxx-01

FREE-STANDING ENCLOSURE HEIGHT 2000 mm								
Enclosure	H (mm)	2000	2000	2000	2000	2000	2000	2000
	W (mm)	1000	1000	1000	1200	1200	1200	1200
	D (mm)	600	600	800	400	500	600	800
Mounting plate	H1 (mm)	1891	1891	1891	1891	1891	1891	1891
	W2 (mm)	897	897	897	1097	1097	1097	1097
Material thickness (mm)	Rear and top panel	1.5	1.5	1.5	1.5	1.5	1.5	1.5
	Door sections	2	2	2	2	2	2	2
	Mounting plate	3	3	3	3	3	3	3
Door		1	2	1	2	2	2	2
Gland plate, number of parts		3	3	4	4	4	6	8
Weight (kg)		153.3	159.8	157.8	140.9	177.2	183.2	200.2
Code	1 pc	FSE-201006	FSE-301006	FSE-201008	FSE-301204	FSE-301205	FSE-301206	FSE-301208
ACCESSORIES								
Side panels	1 set	ID-F-S2006	ID-F-S2006	ID-F-S2008	ID-F-S2004	ID-F-S2005	ID-F-S2006	ID-F-S2008
Baying kit	1 set	ID-F-ROW	ID-F-ROW	ID-F-ROW	ID-F-ROW	ID-F-ROW	ID-F-ROW	ID-F-ROW
Plinth 100 mm	front and rear	1 set	ID-F-PF10	ID-F-PF10	ID-F-PF10	ID-F-PF12	ID-F-PF12	ID-F-PF12
	side panels		ID-F-PS06	ID-F-PS06	ID-F-PS08	ID-F-PS04	ID-F-PS05	ID-F-PS06
Plinth 200 mm	front and rear	1 set	ID-F-PF1002	ID-F-PF1002	ID-F-PF1002	ID-F-PF1202	ID-F-PF1202	ID-F-PF1202
	side panels		ID-F-PS0602	ID-F-PS0602	ID-F-PS0802	ID-F-PS0402	ID-F-PS0502	ID-F-PS0602
Mounting rails	1 set	see pages 14-16						

To order the cabinet without the mounting plate, use code FSE-xxxxxx-01

FREE-STANDING ENCLOSURES HEIGHT 2200 mm

Enclosure	H (mm)	2200	2200	2200	2200	2200	2200	2200	2200
	W (mm)	400	600	600	800	800	1000	1200	1200
	D (mm)	600	600	800	600	800	600	600	800
Mounting plate	H1 (mm)	2091	2091	2091	2091	2091	2091	2091	2091
	W2 (mm)	297	497	497	697	697	897	1097	1097
Material thickness (mm)	Rear and top panel	1.5	1.5	1.5	1.5	1.5	1.5	1.5	1.5
	Door sections	2	2	2	2	2	2	2	2
	Mounting plate	3	3	3	3	3	3	3	3
Door		1	1	1	1	1	1	2	2
Gland plate, number of parts		3	3	4	3	4	3	6	8
Weight (kg)		81.5	108.2	112.5	134.9	139.9	161.5	198.2	205.2
Code	1 pc	FSE-220406	FSE-220606	FSE-220608	FSE-220806	FSE-220808	FSE-221006	FSE-321206	FSE-321208

ACCESSORIES									
Side panels	1 set	ID-F-S2206	ID-F-S2206	ID-F-S2208	ID-F-S2206	ID-F-S2208	ID-F-S2206	ID-F-S2206	ID-F-S2208
Baying kit	1 set	ID-F-ROW	ID-F-ROW	ID-F-ROW	ID-F-ROW	ID-F-ROW	ID-F-ROW	ID-F-ROW	ID-F-ROW
Plinth 100 mm	front and rear	ID-F-PF04	ID-F-PF06	ID-F-PF06	ID-F-PF08	ID-F-PF08	ID-F-PF10	ID-F-PF12	ID-F-PF12
	Side panels	ID-F-PS06	ID-F-PS06	ID-F-PS08	ID-F-PS06	ID-F-PS08	ID-F-PS06	ID-F-PS06	ID-F-PS08
Plinth 200 mm	front and rear	ID-F-PF0402	ID-F-PF0602	ID-F-PF0602	ID-F-PF0802	ID-F-PF0802	ID-F-PF1002	ID-F-PF1202	ID-F-PF1202
	Side panels	ID-F-PS0602	ID-F-PS0602	ID-F-PS0802	ID-F-PS0602	ID-F-PS0802	ID-F-PS0602	ID-F-PS0602	ID-F-PS0802
Mounting rails	1 set	see pages 14–16							

To order the cabinet without the mounting plate, use code FSE-xxxxxx-01

Recommended accessories



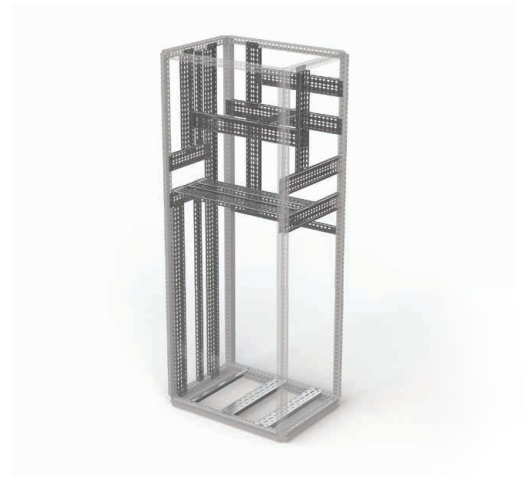
Cooling units

For more information see pages 51–53



Filter fans

More information on page 50



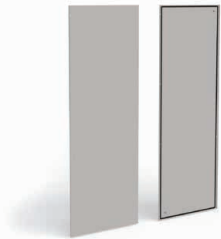
Horizontal and vertical extrusions

For more information see pages 14–16

inTEG FSE FREE-STANDING ENCLOSURES

ACCESSORIES

SIDE PANELS



- Material: 1,5 mm sheet steel
- Color: RAL 7035
- Supply includes: mounting accessories

PLINTHS



- Material: corner pieces 2 mm, other 1,5 mm sheet steel
- Color: RAL 9005
- It is necessary to order front and side set together
- Possibility of installing two plinths H 100 mm on top of each other
- Supply includes: mounting accessories

BAYING KIT



- Material: clamps 3mm (5mm for eye-bolts) zinc-plated sheet steel
- Seal material: polyethylene foam PE-O1, density 30-35 kg/m³
- Supply includes:
 - ID-F-ROW: 4 corner clamps, 6 pcs flat joints, gaskets, mounting accessories
 - ID-F-REB: 4 flat eye bolts, mounting accessories
 - ID-F-AKI: 4 flat clamps for indoor and outdoor mounting, mounting accessories

MOUNTING PLATE - FILLER



- Material: 1,5mm zinc-plated sheet steel
- Supply includes: mounting accessories and wall-mounting brackets

Code	For cabinet dimension H x W (mm)	Package
ID-F-S1804	1800x400	1 set
ID-F-S1805	1800x500	1 set
ID-F-S1806	1800x600	1 set
ID-F-S2004	2000x400	1 set
ID-F-S2005	2000x500	1 set
ID-F-S2006	2000x600	1 set
ID-F-S2008	2000x800	1 set
ID-F-S2206	2200x600	1 set
ID-F-S2208	2200x800	1 set

1 set = 2 pieces

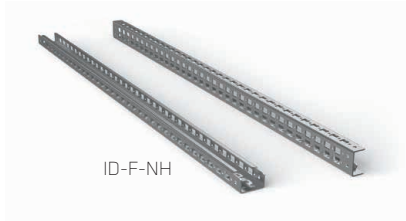
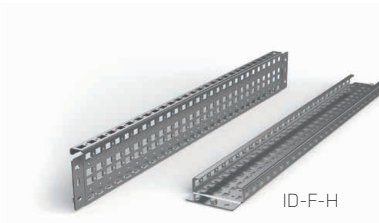
PLINTH - FRONT AND REAR SET			
Plinth code H 100 mm	Plinth code H 200 mm	For cabinet dimension W (mm)	Package
ID-F-PF04	ID-F-PF0402	400	1 set
ID-F-PF06	ID-F-PF0602	600	1 set
ID-F-PF08	ID-F-PF0802	800	1 set
ID-F-PF10	ID-F-PF1002	1000	1 set
ID-F-PF12	ID-F-PF1202	1200	1 set

PLINTH - SIDES SET			
Plinth code H 100 mm	Plinth code H 200 mm	For cabinet dimension H (mm)	Package
ID-F-PS04	ID-F-PS0402	400	1 set
ID-F-PS05	ID-F-PS0502	500	1 set
ID-F-PS06	ID-F-PS0602	600	1 set
ID-F-PS08	ID-F-PS0802	800	1 set

Code	Package
ID-F-ROW	4 corner and 6 flat clamps, gaskets
ID-F-REB	4 flat eye bolts
ID-F-AKI	4 clamp couplings

Code	For cabinet dimensions H (mm)
ID-F-MMP18	1800
ID-F-MMP20	2000
ID-F-MMP22	2200

HORIZONTAL AND VERTICAL RAILS



- Material: 2 mm zinc-plated sheet steel
- Rail width: 90 mm (ID-F-H), 41,2 mm (ID-F-NH)
- Application: to create more mounting planes (horizontal and vertical)
- Mounting: ID-F-Hx on the sides of the frame profiles
- Mounting: ID-F-NHx between the frame profiles
- Supply includes: mounting accessories

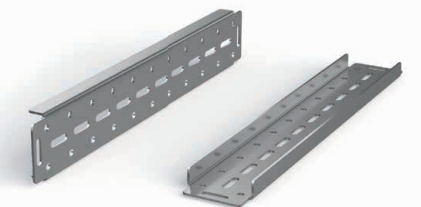
Code	For cabinet dimensions height/width/depth (mm)	Load capacity in horizontal position	Load capacity in vertical position	Package
ID-F-H4	400	140 kg	240 kg	1 set
ID-F-H5	500	100 kg	240 kg	1 set
ID-F-H6	600	70 kg	240 kg	1 set
ID-F-H8	800	50 kg	180 kg	1 set
ID-F-H10	1000	50 kg	140 kg	1 set
ID-F-H12	1200	50 kg	120 kg	1 set
ID-F-H18	1800	36 kg	80 kg	1 set
ID-F-H20	2000	32 kg	70 kg	1 set
ID-F-H22	2200	28 kg	65 kg	1 set

1 set = 2 pieces

Code	For cabinet dimensions height/width/depth (mm)	Load capacity in horizontal position	Load capacity in vertical position	Package
ID-F-NH4	400	95 kg	95 kg	1 set
ID-F-NH5	500	85 kg	85 kg	1 set
ID-F-NH6	600	70 kg	70 kg	1 set
ID-F-NH8	800	56 kg	56 kg	1 set
ID-F-NH10	1000	45 kg	45 kg	1 set
ID-F-NH12	1200	35 kg	35 kg	1 set
ID-F-NH18	1800	21 kg	21 kg	1 set
ID-F-NH20	2000	20 kg	20 kg	1 set
ID-F-NH22	2200	19 kg	19 kg	1 set

1 set = 2 pieces

HORIZONTAL RAILS

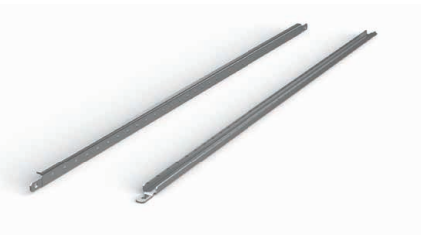


- Material: 3mm zinc-plated sheet steel
- Rail width: 87,5 mm
- Application: for installing high weight components
- Mounting: mount on frame profiles
- Supply includes: mounting accessories

Code	For cabinet dimensions width/depth (mm)	Load capacity in horizontal position	Package
ID-F-HH4	400	260 kg	1 set
ID-F-HH5	500	210 kg	1 set
ID-F-HH6	600	175 kg	1 set
ID-F-HH8	800	130 kg	1 set
ID-F-HH10	1000	100 kg	1 set
ID-F-HH12	1200	65 kg	1 set

1 set = 2 pieces

DOOR-MOUNTING RAILS



- Material: 2mm zinc-plated sheet steel
- Rail width: 20 mm
- Application: for creating more mounting planes on the inner sides of the doors
- Mounting: into the door frame
- Supply includes: mounting accessories

Code	For door / wing dimensions (mm)	Package
ID-F-VD4	400	1 set
ID-F-VD5	500	1 set
ID-F-VD6	600	1 set
ID-F-VD8	800	1 set
ID-F-VD10	1000	1 set

1 set = 2 pieces

PROFILE FOR CABLE FIXING

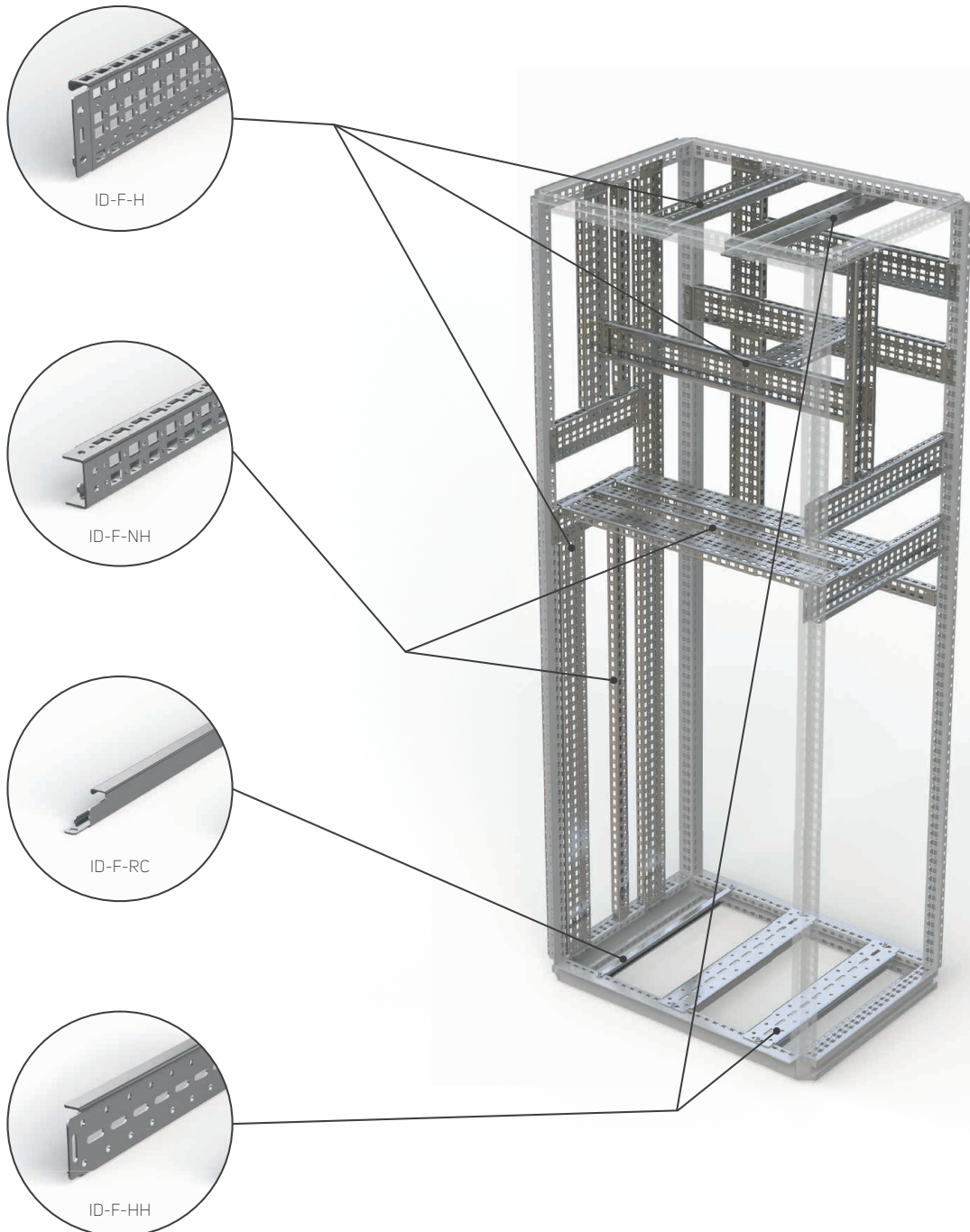


- Material: 2mm zinc-plated sheet steel
- Application: for cable glands
- Mounting: mount on the lower side profile of the frame or on the mounting plate (ID-F-RCUxx)
- Mounting: mount between the bottom side frame profiles (ID-F-RCxx)
- Supply includes: mounting accessories

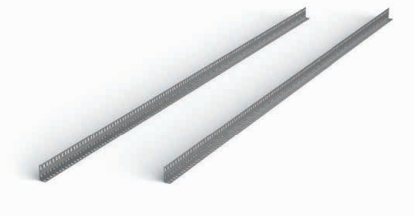
Code	Code	For cabinet dimensions width/depth (mm)	Package
ID-F-RC4	ID-F-RCU4	400	1 set
ID-F-RC6	ID-F-RCU6	600	1 set
ID-F-RC8	ID-F-RCU8	800	1 set
ID-F-RC10	ID-F-RCU10	1000	1 set
ID-F-RC12	ID-F-RCU12	1200	1 set

1 set = 2 pieces

POSSIBLE TO INSTALL HORIZONTAL AND VERTICAL RAILS



19" FIXED EXTRUSIONS

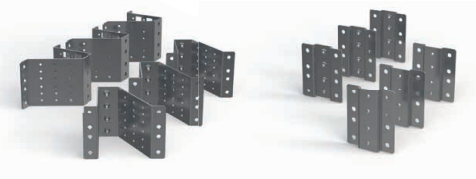


- Material: 2mm zinc-plated sheet steel
- Application: to make 19" planes FSE in the cabinets
- Mounting: onto the ID-F-UBxx + ID-F-Hxx brackets
- Supply includes: 19" vertical extrusions and mounting accessories

Code	For cabinet dimensions HxW v mm	Package
ID-F-V186	1800x600 (36U)	1 set
ID-F-V206	2000x600 (42U)	1 set
ID-F-V226	2200x600 (46U)	1 set
ID-F-V188	1800x800 (36U)	1 set
ID-F-V208	2000x800 (42U)	1 set
ID-F-V228	2200x800 (46U)	1 set

It's necessary to order 19" brackets ID-F-UBxx

19" BRACKETS



ID-F-UB08

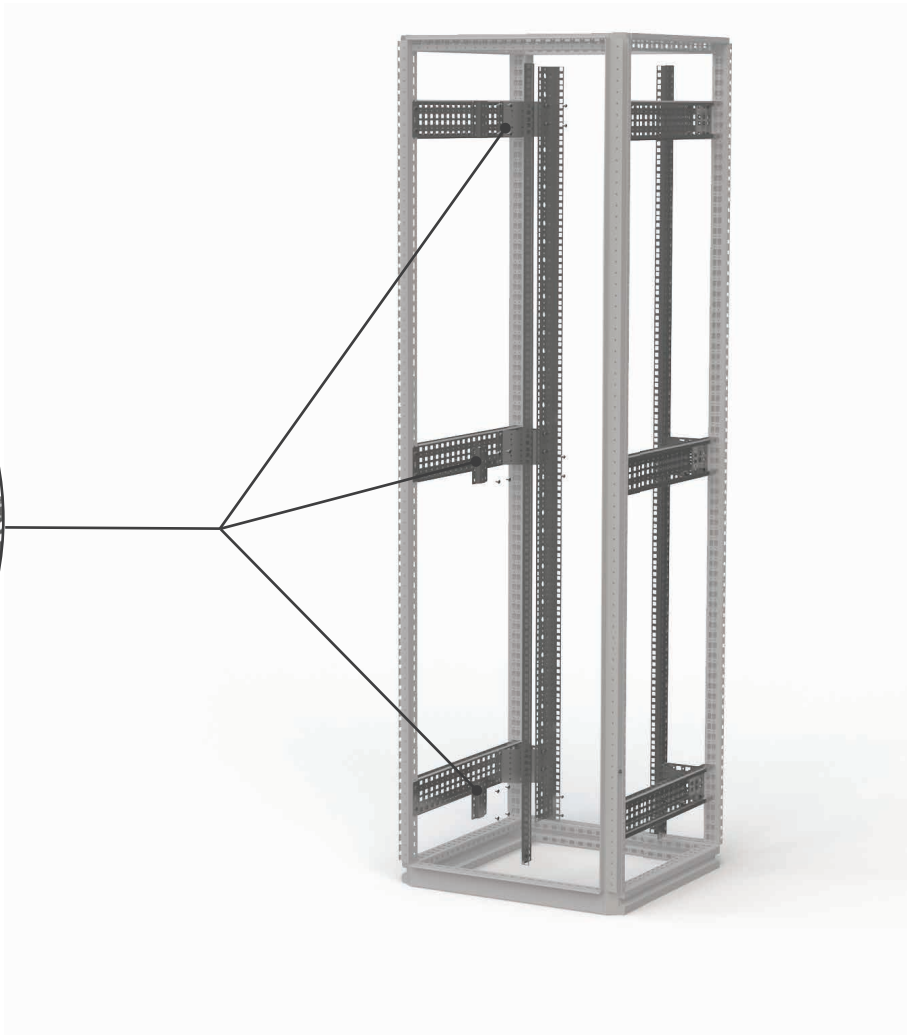
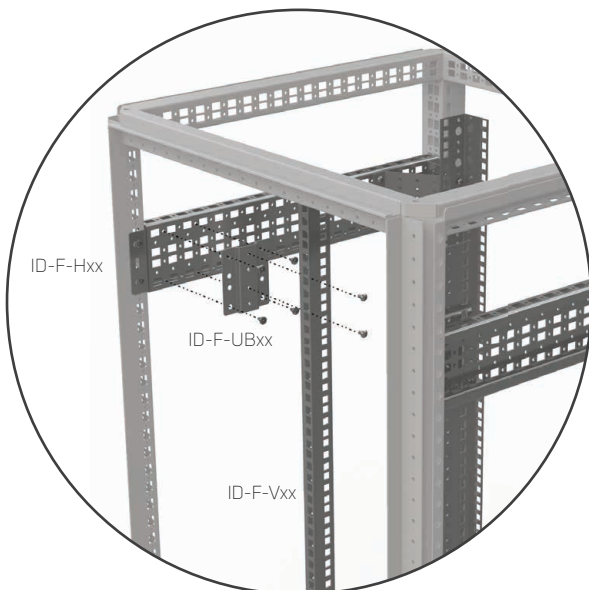
ID-F-UB06

- Material: 1,5mm (ID-F-UB06); 2mm (ID-F-UB08) zinc-plated sheet steel
- Application: to make 19" planes FSE cabinets W 600 a 800 mm
- Mounting: onto system extrusions ID-F-Hxx
- Supply includes: brackets for 19" vertical extrusions and mounting accessories

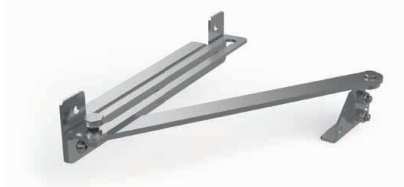
Code	For cabinet dimensions W (mm)	Package
ID-F-UB06	600	1 set
ID-F-UB08	800	1 set

1 set = 6 pieces

MOUNTING 19" EXTRUSION



DOOR STOP



- Application: for inTEG FSE enclosures
- Supply includes: door stop and mounting accessories

Code	Package
ID-F-DS	1 pc

DOOR SWITCH



- Brackets material: 2mm zinc-plated sheet steel
- Door switch: IP65, plastic, 1NO + 1NC, PG13,5, -25 °C to +70 °C
- Supply includes: door switch and mounting accessories

Code	Package
ID-F-DC	1 pc

POCKETS FOR DOCUMENTS



- Material: ABS
- Color: RAL 7035
- Dimensions: 234×241×31 mm (H×W×D)
- Mounting: with a self-adhesive tape
- Supply includes: pocket for documents and self-adhesive tape

Code	Package
ID-PO-A4	1 pc

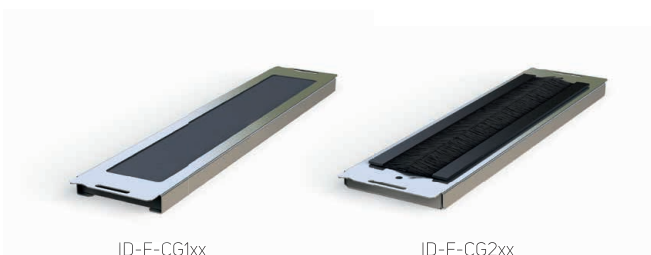


- Material: 1mm sheet steel
- Color: RAL 7035
- Mounting: onto the door frame
- Supply includes: pocket for documents and mounting accessories

Code	For door / wing dimensions (mm)	Package
ID-F-MP04	400	1 set
ID-F-MP06	600	1 set
ID-F-MP08	800	1 set
ID-F-MP10	1000	1 set
ID-F-MP102 *	1000 2D	1 set
ID-F-MP06 *	1200	1 set

* pocket for double-winged cabinet, width suitable for mounting onto the right wing

CABLE GLAND PLATE WITH GASKET



- Material: 1mm zinc-plated sheet steel
- Application: for cable introduction
- Version: with PU sealing (ID-F-CG1xx); with two rows of brushes (ID-F-CG2xx)
- Mounting: between the frame profiles to replace the cable gland plate
- Supply includes: mounting accessories

Code	Code	For cabinet dimensions W (mm)	Package
ID-F-CG104	ID-F-CG204	400	1 set
ID-F-CG106	ID-F-CG206	600	1 set
ID-F-CG108	ID-F-CG208	800	1 set
ID-F-CG110	ID-F-CG210	1000	1 set
ID-F-CG112	ID-F-CG212	1200	1 set

SEALING SET IP55



- Material: PVC
- Application: plugs and sealing tape for IP55 protection
- Supply includes: whole set for inTEG FSE cabinet

Code	Package
ID-F-KIT55	1 pc

UTILITY LECTERN



- Material: 1,5mm sheet steel
- Color: RAL 7035
- Mounting: mount onto the door frame
- Dimensions: depth 356 mm, width - suitable for the specific cabinet dimensions, for cabinets with a width of 1200 mm and double-winged cabinets 1000 mm for one wing
- Supply includes: mounting accessories

Code	For cabinet dimensions W (mm)	Package
ID-F-CDD4	400	1 set
ID-F-CDD6	600	1 set
ID-F-CDD8	800	1 set
ID-F-CDD10	1000	1 set
ID-F-CDD102 *	1000	1 set
ID-F-CDD6 *	1200	1 set

* storage shelf for double-winged cabinet, width makes it suitable for mounting on the right wing

SPARE MOUNTING PLATE



- Material: 3mm zinc-plated sheet steel
- Supply includes: mounting plate with marked raster, mounting accessories and brackets

Code	For cabinet dimensions H x W (mm)
ID-F-SP1804	1800x400
ID-F-SP1806	1800x600
ID-F-SP1808	1800x800
ID-F-SP1810	1800x1000
ID-F-SP1812	1800x1200
ID-F-SP2004	2000x400
ID-F-SP2006	2000x600
ID-F-SP2008	2000x800
ID-F-SP2010	2000x1000
ID-F-SP2012	2000x1200
ID-F-SP2204	2200x400
ID-F-SP2206	2200x600
ID-F-SP2208	2200x800
ID-F-SP2210	2200x1000
ID-F-SP2212	2200x1200

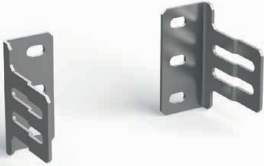
SPARE BRACKETS FOR MOUNTING PLATES



- Material: 5mm zinc-plated sheet steel
- Application: for fitting the mounting plate into the frame
- Mounting: mount on the bottom and upper sides of the frame profile
- Supply includes: mounting accessories

Code	Package
ID-F-SBP	1 pc

SIDE BRACKETS FOR MOUNTING PLATES



- Material: 2mm zinc-plated sheet
- Application: for additional mounting plate fixation and vibration reduction
- Mounting: mount on horizontal ID-F-Hxx or ID-F-NHxx rails or directly on the upright
- Supply includes: mounting accessories

Code	Type	Package
ID-F-LBP	Side brackets for mounting plates	1 set

DIVIDER PANEL



- Material: 1,5mm zinc-plated sheet
- Application: to separate the space between given sections of certain enclosure ranges
- Mounting: mount onto the cabinet upright
- Supply includes: mounting accessories

Code	For cabinet dimensions H x W (mm)
ID-F-DW1804	1800x400
ID-F-DW1805	1800x500
ID-F-DW1806	1800x600
ID-F-DW2004	2000x400
ID-F-DW2005	2000x500
ID-F-DW2006	2000x600
ID-F-DW2008	2000x800
ID-F-DW2206	2200x600
ID-F-DW2208	2200x800

PARTIAL MOUNTING PLATE



- Material: 3mm zinc-plated sheet steel
- Application: to create additional front and side mounting planes, the plates are versatile and can be mounted horizontally to the appropriate cabinet width or vertically to the appropriate cabinet depth
- Mounting: mount horizontally or vertically on the frame profiles or system rails
- Supply includes: mounting accessories

Code	For cabinet dimensions W (mm)	For cabinet dimensions D (mm)	Mounting plane height (mm)
ID-F-PMP0604	600	-	400
ID-F-PMP0604	-	400	600
ID-F-PMP0605	600	-	500
ID-F-PMP0605	-	500	600
ID-F-PMP0804	800	-	400
ID-F-PMP0804	-	400	800
ID-F-PMP0806	800	-	600
ID-F-PMP0806	-	600	800
ID-F-PMP1004	1000	-	400
ID-F-PMP1004	-	400	1000
ID-F-PMP1204	1200	-	400
ID-F-PMP1204	-	400	1200

LOCKS / LOCK INSERTS



- Application: spare inserts instead of the standard 5 mm double-bar
- Supply includes: mounting accessories

Code	Type	Package
ID-F-INLK1	Lock for inTEG FSE, key 5333	1 set
ID-F-INLK3	Lock for inTEG FSE, unique key	1 set
ID-F-INS7	Lock insert 7 mm SQUARE, black zamak	1 set
ID-F-INS8	Lock insert 8 mm SQUARE, black zamak	1 set
ID-F-INT7	Lock insert 7 mm TRIANGULAR, black zamak	1 set
ID-F-INT8	Lock insert 8 mm TRIANGULAR, black zamak	1 set
ID-F-INLKE1	Lockable VW 1 cap	1 set
ID-F-INSS	Complete handle	1 set
ID-F-INSSA	Door plate double-bar 5 mm	1 set

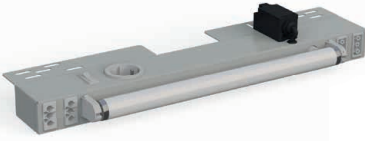
EARTHING



- Material: tinned copper
- Supply includes: various lengths and cross-sections of flat conductors with pressed contact holes with an M8 opening

Code	Type	Package
ID-F-EK1	Flat earthing conductor for M8, length 200 mm, cross-section 16 mm ²	10 pcs
ID-F-EK2	Flat earthing conductor for M8, length 200 mm, cross-section 25 mm ²	10 pcs
ID-F-EK3	Flat earthing conductor for M8, length 300 mm, cross-section 16 mm ²	10 pcs
ID-F-EK4	Flat earthing conductor for M8, length 300 mm, cross-section 25 mm ²	10 pcs

FLUORESCENT LAMPS WITH A DOOR SWITCH AND SOCKET



- Material: powder coated sheet steel
- Application: to light up the interior of the cabinet, option of connecting several light fixtures
- Mounting: mount on inTEG FSE frames
- Degree of protection: IP20
- Supply includes: complete lighting unit with door switch and Schuko / UTE socket, potential-free contact for control of switchboard temperature control elements, connection connector

Code	Type	Package
ID-F-L14SKR-SCH	For FSE cabinet W 600 mm, 14W, 230 VAC, 50 Hz, socket Schuko	1 pc
ID-F-L18SKR-SCH	For FSE cabinet W 800 mm, 18W, 230 VAC, 50 Hz, socket Schuko	1 pc
ID-F-L14SKR-CZ	For FSE cabinet W 600 mm, 14W, 230 VAC, 50 Hz, socket UTE	1 pc
ID-F-L18SKR-CZ	For FSE cabinet W 800 mm, 18W, 230 VAC, 50 Hz, socket UTE	1 pc
ID-F-LN30	Power supply cord orange, length 3m, 3x1,5mm ²	1 pc
ID-F-LL30	Power supply cord orange, length 3m, 3x0,75mm ²	1 pc
ID-F-LAC166STG	Connector for the inter-connection cable gray	1 pc
ID-F-LAB-14	Plastic cover for lamps 14W	1 pc
ID-F-LAB-18	Plastic cover for lamps 18W	1 pc
ID-F-LV-06	Inter-connection cable, length 0.6m	1 pc
ID-F-LV-12	Inter-connection cable, length 1,0 m	1 pc

LED LIGHT



- Material: PC, transparent and ABS
- Application: to light up the interior of the cabinet, option of connecting several light fixtures
- Mounting: mount onto the frame profiles or by magnets
- Dimensions: 357,4 x 32 x 31,16 mm
- Degree of protection: IP20
- Supply includes: complete lighting unit with rocker switch, inter-connection cables

Code	Type	Package
ID-F-L	Lighting unit LED 4 W, 24-265 V (DC/AC), 0/50/60 Hz	1 pc

FASTENERS




- Supply includes: M6x16 ISO 7380 Zn (ID-W-SMS6x16) cage nuts, screws, hinge, pull-out brackets and fasteners for inTEG FSE (ID-F-CK)

Code	Type	Package
ID-W-CNM6	Cage nut M6	10 pcs
ID-W-SMS6x16	Screw M6x16, ISO 7380, Zn	10 pcs
ID-W-CNM8	Cage nut M8	10 pcs
ID-W-SMS8x16	Screw M8x16, ISO 7380, Zn	10 pcs
ID-F-CK	Hinge, pull-out brackets, replacement fasteners for inTEG FSE	1 set



02

inTEG WME COMPACT
ENCLOSURES



inTEG WME compact enclosures – benefits and specifications	24
Sheet steel, and sheet steel with glazed door	25
Stainless steel	31
Outdoor version	34
Accessories	38

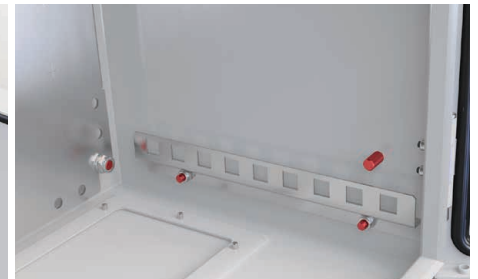
inTEG WME COMPACT ENCLOSURES



➤ InTEG's compact enclosures are unique in that their design is neat thanks to state-of-the-art laser welding technology. The design solution offers high rigidity and the possibility for many applications across industries and electrotechnics. All 54 sizes of the enclosures are designed with full or glazed doors, the range is complemented by a range of stainless steel cabinets and powder coated stainless steel for applications with higher demands on environmental resistance. Quickly install the internal equipment into these racks without using any additional accessories.



Perforated mounting rails on the doors
(for enclosures 500 mm and higher)



Perforated mounting rails on side panels
(for enclosures 250 mm in depth and deeper)



Lightweight top construction - does not burden
the enclosure



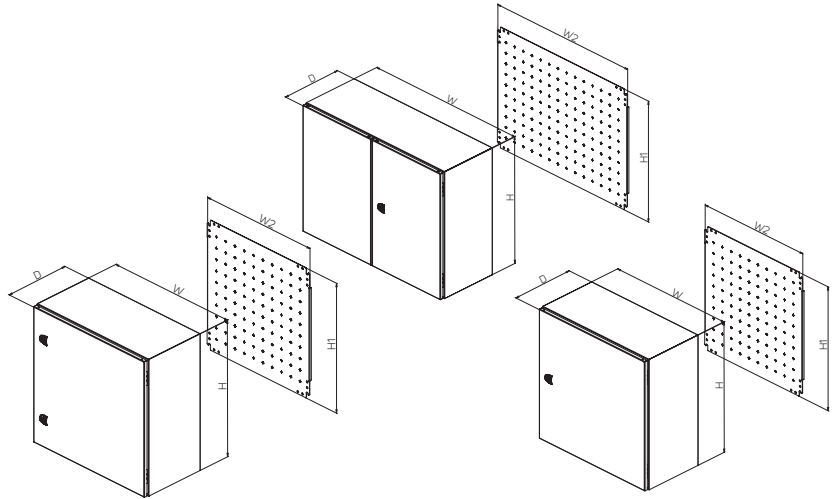
Wide selection of safety warning signs


MAIN ADVANTAGES

- Clean design thanks to laser welding
- 54 sizes from 300×200×155 mm all the way up to 1400×1000×300 mm
- One-door and two-door version
- Options: sheet steel, stainless steel 304 or 316L, powder coated stainless steel
- Maximum mounting plate size
- Stability and robustness
- High back panel rigidity
- Wide assortment of accessories
- Tailor-made customer solutions - cut-outs according to your requirements before and after final surface finishing
- Left/right door hinge replacement
- Standard gear - mounting plate with a 50 × 50 mm marked raster for all types
- Wide selection of safety warning signs
- Placement of your logo or marking enclosures according to your requirements also possible
- Indoor and outdoor use
- Norm EN 62208

inTEG WME COMPACT ENCLOSURES

SHEET STEEL AND WITH GLAZED DOORS



COLOR:  RAL 7035

TECHNICAL SPECIFICATIONS

Material

- Enclosure: sheet steel
- Mounting plate: zinc-plated sheet steel
- Glazed door version: 4mm hardened clear glass according to EN 12150

Enclosure surface finish

- epoxypolyester-powdercoat

Color

- RAL 7035 for indoor use

IP rating

- IP66 single-door version / IP55 two-door version according to EN 60529

(degree of protection may be reduced after mounting some accessories)

Mechanical resistance

- IK10 according to IEC 62262
- IK08 (for glass)

Supply includes:

- Single-door / double-door enclosure, door hinges are located on the right side of a single-door cabinet (easy to change door opening from right to left). The doors are equipped with a polyurethane foam seal

all around the perimeter and a rotary lock or three-point locking system

- Gland plate(s)
- Perforated mounting rails on the doors of enclosures 500 mm in height and higher
- Perforated mounting rails on the side panels of enclosures 250 mm in depth and deeper
- Mounting plate with a marked raster 50x50 mm
- Accessories for wall-mounting

For detailed technical information, see pages 58-60

COMPACT ENCLOSURE, SINGLE-DOOR, HEIGHT 300 mm							
Enclosures	H (mm)	300	300	300	300	300	300
	W (mm)	200	250	300	300	400	400
	D (mm)	155	155	155	210	155	210
Mounting plate	V1 (mm)	270	270	270	270	270	270
	W2 (mm)	150	200	250	250	350	350
Material thickness (mm)	Enclosure body	1.25	1.25	1.25	1.25	1.25	1.25
	Door	1.5	1.5	1.5	1.5	1.5	1.5
	Mounting plate	2	2	2	2	2	2
Quantity	Hinges	2	2	2	2	2	2
	Cam locks	1	1	1	1	1	1
	Bolts	4	4	4	4	4	4
Cable gland plate	Size	A	A	B	C	B	D
	Quantity	1	1	1	1	1	1
Weight (kg)		3.9	4.7	5.5	6.1	6.9	7.7
Code	1 pc	WME-030215	WME-032515	WME-030315	WME-030321	WME-030415	WME-030421
GLAZED DOOR VERSION							
Order number	1 pc	-	WME-G-032515	WME-G-030315	WME-G-030321	WME-G-030415	WME-G-030421

COMPACT ENCLOSURE, SINGLE-DOOR, HEIGHT 400 mm						
Enclosures	H (mm)	400	400	400	400	400
	W (mm)	300	300	400	600	600
	D (mm)	155	210	210	210	250
Mounting plate	V1 (mm)	370	370	370	370	370
	W2 (mm)	250	250	350	550	550
Material thickness (mm)	Enclosure body	1.25	1.25	1.25	1.25	1.25
	Door	1.5	1.5	1.5	1.5	1.5
	Mounting plate	2	2	2.5	2.5	2.5
Quantity	Hinges	2	2	2	2	2
	Cam locks	1	1	1	1	1
	Bolts	4	4	4	4	4
Cable gland plate	Size	B	C	D	F	F
	Quantity	1	1	1	1	1
Weight (kg)		6.9	7.6	9.5	13.4	14.2
Code	1 pc	WME-040315	WME-040321	WME-040421	WME-040621	WME-040625
GLAZED DOOR VERSION						
Order number	1 pc	WME-G-040315	WME-G-040321	WME-G-040421	WME-G-040621	WME-G-040625
ACCESSORIES						
Rails for interior installation	1 set	-	-	-	-	ID-W-H4
19" fixed extrusions	1 set	-	-	-	-	ID-W-U8

COMPACT ENCLOSURE, SINGLE-DOOR, HEIGHT 500 mm						
Enclosures	H (mm)	500	500	500	500	500
	W (mm)	300	400	400	500	500
	D (mm)	210	210	250	210	300
Mounting plate	H1 (mm)	470	470	470	470	470
	W2 (mm)	250	350	350	450	450
Material thickness (mm)	Enclosure body	1.25	1.25	1.25	1.25	1.25
	Door	1.5	1.5	1.5	1.5	1.5
	Mounting plate	2	2.5	2.5	2.5	2.5
Quantity	Hinges	2	2	2	2	2
	Cam locks	1	1	1	1	1
	Bolts	4	4	4	4	4
Cable gland plate	Size	C	D	D	E	E
	Quantity	1	1	1	1	1
Weight (kg)		9.1	11.3	12.1	13.7	15.5
Code	1 pc	WME-050321	WME-050421	WME-050425	WME-050521	WME-050503
GLAZED DOOR VERSION						
Order number	1 pc	WME-G-050321	WME-G-050421	WME-G-050425	WME-G-050521	WME-G-050503
ACCESSORIES						
Rails for interior installation	1 set	-	-	ID-W-H5	-	ID-W-H5
Door-mounting rails	1 set	ID-W-VD3	ID-W-VD4	ID-W-VD4	ID-W-VD5	ID-W-VD5
Interior door	1 pc	-	-	ID-W-ID54	-	ID-W-ID55

COMPACT ENCLOSURE, SINGLE-DOOR, HEIGHT 600 mm							
Enclosures	H (mm)	600	600	600	600	600	600
	W (mm)	400	400	400	400	500	500
	D (mm)	210	250	300	300	250	250
Mounting plate	W1 (mm)	570	570	570	570	570	570
	W2 (mm)	350	350	350	350	450	450
Material thickness (mm)	Enclosure body	1.25	1.5	1.5	1.5	1.5	1.5
	Door	1.5	1.5	1.5	1.5	1.5	1.5
	Mounting plate	2.5	2.5	2.5	2.5	2.5	2.5
Quantity	Hinges	2	2	2	2	2	2
	Cam locks	2	2	2	2	2	2
	Bolts	4	4	4	4	4	4
Cable gland plate	Size	D	D	D	D	E	E
	Quantity	1	1	1	1	1	1
Weight (kg)		13.2	15.4	16.8	16.8	18.4	18.4
Code	1 pc	WME-060421	WME-060425	WME-060403	WME-060403	WME-060525	WME-060525
GLAZED DOOR VERSION							
Code	1 pc	WME-G-060421	WME-G-060425	WME-G-060403	WME-G-060403	WME-G-060525	WME-G-060525
ACCESSORIES							
Rails for interior installation	1 set	-	ID-W-H6	ID-W-H6	ID-W-H6	ID-W-H6	ID-W-H6
Door-mounting rails	1 set	ID-W-VD4	ID-W-VD4	ID-W-VD4	ID-W-VD4	ID-W-VD5	ID-W-VD5
19" fixed extrusions	1 set	-	-	-	-	-	-
Interior door	1 pc	-	ID-W-ID64	ID-W-ID64	ID-W-ID64	ID-W-ID65	ID-W-ID65
Plinth **	front a and rear	1 set	-	-	-	-	-
	sides	1 set	-	-	-	-	-

* Don't forget to order the ID-W-UB console

** Plinth steel version, height 100 mm, RAL 7046

COMPACT ENCLOSURE, SINGLE-DOOR, HEIGHT 600 mm								
Enclosures	H (mm)	600	600	600	600	600	600	600
	W (mm)	600	600	600	600	800	800	800
	D (mm)	210	250	300	400	250	300	300
Mounting plate	H1 (mm)	570	570	570	570	570	570	570
	W2 (mm)	550	550	550	550	750	750	750
Material thickness (mm)	Enclosure body	1.5	1.5	1.5	1.5	1.5	1.5	1.5
	Door	1.5	1.5	1.5	1.5	1.5	1.5	1.5
	Mounting plate	2.5	2.5	2.5	2.5	2.5	2.5	2.5
Quantity	Hinges	2	2	2	2	2	2	2
	Cam locks	2	2	2	2	2	2	2
	Bolts	4	4	4	4	4	4	4
Cable gland plate	Size	F	F	F	F	F	F	F
	Quantity	1	1	1	1	1	1	1
Weight (kg)		20.3	21.4	22.8	25.9	27.3	29	29
Code	1 pc	WME-060621	WME-060625	WME-060603	WME-060604	WME-060825	WME-060803	WME-060803
GLAZED DOOR VERSION								
Code	1 pc	WME-G-060621	WME-G-060625	WME-G-060603	WME-G-060604	WME-G-060825	WME-G-060803	WME-G-060803
ACCESSORIES								
Rails for interior installation	1 set	-	ID-W-H6	ID-W-H6	ID-W-H6	ID-W-H6	ID-W-H6	ID-W-H6
Door-mounting rails	1 set	ID-W-VD6	ID-W-VD6	ID-W-VD6	ID-W-VD6	ID-W-VD8	ID-W-VD8	ID-W-VD8
19" fixed extrusions	1 set	-	ID-W-U12	ID-W-U12	ID-W-U12	ID-W-U12 *	ID-W-U12 *	
Interior door	1 pc	-	ID-W-ID66	ID-W-ID66	ID-W-ID66	-	-	
Plinth **	front a and rear	1 set	-	ID-W-PF60	ID-W-PF60	-	ID-W-PF80	
	sides	1 set	-	ID-W-PS30	ID-W-PS40	-	ID-W-PS30	

* Don't forget to order the ID-W-UB console

** Plinth steel version, height 100 mm, RAL 7046

COMPACT ENCLOSURE, SINGLE-DOOR, HEIGHT 700 A 800 mm

Enclosures	H (mm)	700	700	800	800	800	800	800
	W (mm)	500	500	600	600	600	800	800
	D (mm)	210	300	250	300	400	300	400
Mounting plate	H1 (mm)	670	670	770	770	770	770	770
	W2 (mm)	450	450	550	550	550	750	750
Material thickness (mm)	Enclosure body	1.5	1.5	1.5	1.5	1.5	1.5	1.5
	Door	1.5	1.5	2	2	2	2	2
	Mounting plate	2.5	2.5	3 F	3 F	3 F	3 FF	3 FF
Quantity	Hinges	2	2	2	2	2	2	2
	Cam locks	2	2	2	2	2	2	2
	Bolts	4	4	4	4	4	4	4
Cable gland plate	Size	E	E	F	F	F	F	F
	Quantity	1	1	1	1	1	1	1
Weight (kg)		19.8	22.3	29.2	31.7	35.2	40.2	44.2
Code	1 pc	WME-070521	WME-070503	WME-080625	WME-080603	WME-080604	WME-080803	WME-080804

GLAZED DOOR VERSION

Code	1 pc	WME-G-070521	WME-G-070503	WME-G-080625	WME-G-080603	WME-G-080604	WME-G-080803	WME-G-080804
------	------	--------------	--------------	--------------	--------------	--------------	--------------	--------------

ACCESSORIES

Rails for interior installation	1 set	-	ID-W-H7	ID-W-H8	ID-W-H8	ID-W-H8	ID-W-H8	ID-W-H8
Door-mounting rails	1 set	ID-W-VD5	ID-W-VD5	ID-W-VD6	ID-W-VD6	ID-W-VD6	ID-W-VD8	ID-W-VD8
19" fixed extrusions	1 set	-	-	ID-W-U17	ID-W-U17	ID-W-U17	ID-W-U17 *	ID-W-U17 *
Interior door	1 pc	-	ID-W-ID75	ID-W-ID86	ID-W-ID86	ID-W-ID86	ID-W-ID88	ID-W-ID88
Plinth **	front a and rear	1 set	-	-	-	ID-W-PF60	ID-W-PF60	ID-W-PF80
	sides	1 set	-	-	-	ID-W-PS30	ID-W-PS40	ID-W-PS40

3 F – 3mm mounting plate with 2 bended edges

3 FF – 3mm mounting plate with 4 bended edges

* Don't forget to order the ID-W-UB console

** Plinth steel version, height 100 mm, RAL 7046

COMPACT ENCLOSURE, SINGLE-DOOR, HEIGHT 1000 mm

Enclosures	H (mm)	1000	1000	1000	1000	1000
	W (mm)	600	600	600	800	800
	D (mm)	250	300	400	300	400
Mounting plate	H1 (mm)	970	970	970	970	970
	W2 (mm)	550	550	550	750	750
Material thickness (mm)	Enclosure body	1.5	1.5	1.5	1.5	1.5
	Door	2	2	2	2	2
	Mounting plate	3 F	3 F	3 F	3 FF	3 FF
Quantity	Hinges	3	3	3	3	3
	Bolts	4	4	4	6	6
3-point locking system		+	+	+	+	+
Cable gland plate	Size	F	F	F	F	F
	Quantity	1	1	1	1	1
Weight (kg)		35.7	38.4	42.4	48.6	53.1
Code	1 pc	WME-100625	WME-100603	WME-100604	WME-100803	WME-100804

GLAZED DOOR VERSION

Code	1 pc	WME-G-100625	WME-G-100603	WME-G-100604	WME-G-100803	WME-G-100804
------	------	--------------	--------------	--------------	--------------	--------------

ACCESSORIES

Rails for interior installation	1 set	ID-W-H10	ID-W-H10	ID-W-H10	ID-W-H10	ID-W-H10
Door-mounting rails	1 set	ID-W-VD6	ID-W-VD6	ID-W-VD6	ID-W-VD8	ID-W-VD8
19" fixed extrusions	1 set	ID-W-U21	ID-W-U21	ID-W-U21	ID-W-U21 *	ID-W-U21 *
Interior door	1 pc	ID-W-ID106	ID-W-ID106	ID-W-ID106	ID-W-ID108	ID-W-ID108
Plinth **	front a and rear	1 set	-	ID-W-PF60	ID-W-PF60	ID-W-PF80
	sides	1 set	-	ID-W-PS30	ID-W-PS40	ID-W-PS40

3 F – 3mm mounting plate with 2 bended edges

3 FF – 3mm mounting plate with 4 bended edges

* Don't forget to order the ID-W-UB console

** Plinth steel version, height 100 mm, RAL 7046

COMPACT ENCLOSURE, SINGLE-DOOR, HEIGHT 1200 mm								
Enclosures	H (mm)	1200	1200	1200	1200	1200	1200	1200
	W (mm)	600	600	800	800	800	800	800
	D (mm)	300	400	300	400	300	400	400
Mounting plate	W1 (mm)	1170	1170	1170	1170	1170	1170	1170
	W2 (mm)	550	550	750	750	750	750	750
Material thickness (mm)	Enclosure body	1.5	1.5	1.5	1.5	1.5	1.5	1.5
	Door	2	2	2	2	2	2	2
	Mounting plate	3 F	3 F	3 FF	3 FF	3 FF	3 FF	3 FF
Quantity	Hinges	3	3	3	3	3	3	3
	Bolts	6	6	6	6	6	6	6
3-point locking system		+	+	+	+	+	+	+
Cable gland plate	Size	F	F	F	F	F	F	F
	Quantity	1	1	1	1	1	1	1
Weight (kg)		45	49.4	57.1	57.1	57.1	62	62
Code	1 pc	WME-120603	WME-120604	WME-120803	WME-120803	WME-120803	WME-120804	WME-120804
GLAZED DOOR VERSION								
Code	1 pc	WME-G-120603	WME-G-120604	WME-G-120803	WME-G-120803	WME-G-120803	WME-G-120804	WME-G-120804
ACCESSORIES								
Rails for interior installation	1 set	ID-W-H12	ID-W-H12	ID-W-H12	ID-W-H12	ID-W-H12	ID-W-H12	ID-W-H12
Door-mounting rails	1 set	ID-W-VD6	ID-W-VD6	ID-W-VD8	ID-W-VD8	ID-W-VD8	ID-W-VD8	ID-W-VD8
19" fixed extrusions	1 set	ID-W-U25	ID-W-U25	ID-W-U25 *	ID-W-U25 *	ID-W-U25 *	ID-W-U25 *	ID-W-U25 *
Interior door	1 pc	ID-W-ID126	ID-W-ID126	ID-W-ID128	ID-W-ID128	ID-W-ID128	ID-W-ID128	ID-W-ID128
Plinth **	front a and rear	1 set	ID-W-PF60	ID-W-PF60	ID-W-PF80	ID-W-PF80	ID-W-PF80	ID-W-PF80
	sides	1 set	ID-W-PS30	ID-W-PS40	ID-W-PS30	ID-W-PS30	ID-W-PS40	ID-W-PS40

3 F – 3mm mounting plate with 2 bended edges

3 FF – 3mm mounting plate with 4 bended edges

* Don't forget to order the ID-W-UB console

** Plinth steel version, height 100 mm, RAL 7046

COMPACT ENCLOSURE, DOUBLE-DOOR, HEIGHT 600 – 1000 mm								
Enclosures	H (mm)	600	800	800	1000	1000	1000	1000
	W (mm)	800	1000	1200	1000	1000	1200	1200
	D (mm)	300	300	300	300	400	300	400
Mounting plate	H1 (mm)	570	770	770	970	970	970	970
	W2 (mm)	750	950	1150	950	950	1150	1150
Material thickness (mm)	Enclosure body	1.5	1.5	1.5	1.5	1.5	1.5	1.5
	Door	1.5	2	2	2	2	2	2
	Mounting plate	2.5	3 FF	3 FF	3 FF	3 FF	3 FF	3 FF
Quantity	Hinges	2	2	2	3	3	3	3
	Bolts	4	6	6	6	6	6	6
3-point locking system		+	+	+	+	+	+	+
Cable gland plate	Size	F	E	F	E	E	F	F
	Quantity	1	2	2	2	2	2	2
Weight (kg)		29.5	49.5	58.1	63.8	68.7	74.7	76
Code	1 pc	WME-160803	WME-181003	WME-181203	WME-201003	WME-201004	WME-201203	WME-201204
GLAZED DOOR VERSION								
Code	1 pc	WME-G-160803	WME-G-181003	WME-G-181203	WME-G-201003	WME-G-201004	WME-G-201203	WME-G-201204
ACCESSORIES								
Rails for interior installation	1 set	ID-W-H6	ID-W-H8	ID-W-H8	ID-W-H10	ID-W-H10	ID-W-H10	ID-W-H10
Door-mounting rails	1 set	ID-W-VD8	-	-	-	-	-	-
19" fixed extrusions	1 set	ID-W-U12 *	-	-	-	-	-	-
Plinth **	front a and rear	1 set	ID-W-PF80	ID-W-PF100	ID-W-PF120	ID-W-PF100	ID-W-PF120	ID-W-PF120
	sides	1 set	ID-W-PS30	ID-W-PS30	ID-W-PS30	ID-W-PS30	ID-W-PS40	ID-W-PS40

3 FF – 3mm mounting plate with 4 bended edges

* Don't forget to order the ID-W-UB console

** Plinth steel version, height 100 mm, RAL 7046

COMPACT ENCLOSURE, DOUBLE-DOOR, HEIGHT 1200 – 1400 mm

Enclosures	H (mm)	1200	1200	1200	1200	1400
	W (mm)	1000	1000	1200	1200	1000
	D (mm)	300	400	300	400	300
Mounting plate	H1 (mm)	1170	1170	1170	1170	1370
	W2 (mm)	950	950	1150	1150	950
Material thickness (mm)	Enclosure body	1.5	1.5	1.5	1.5	1.5
	Door	2	2	2	2	2
	Mounting plate	3 FF	3 FF	3 FF	3 FF	3 FF
Quantity	Hinges	3	3	3	3	3
	Bolts	6	6	6	6	6
3-point locking system		+	+	+	+	+
Cable gland plate	Size	E	E	F	F	E
	Quantity	2	2	2	2	2
Weight (kg)		74.7	80.2	87.6	93.4	85.8
Code	1 pc	WME-221003	WME-221004	WME-221203	WME-221204	WME-241003

GLAZED DOOR VERSION

Code		WME-G-221003	WME-G-221004	WME-G-221203	WME-G-221204	WME-G-241003
------	--	---------------------	---------------------	---------------------	---------------------	---------------------

ACCESSORIES

Rails for interior installation	1 set	ID-W-H12	ID-W-H12	ID-W-H12	ID-W-H12	ID-W-H14	
Door-mounting rails	1 set	-	-	-	-	-	
19" fixed extrusions	1 set	-	-	-	-	-	
Plinth **	front a and rear	1 set	ID-W-PF100	ID-W-PF100	ID-W-PF120	ID-W-PF120	ID-W-PF100
	sides	1 set	ID-W-PS30	ID-W-PS40	ID-W-PS30	ID-W-PS40	ID-W-PS30

3 FF – 3mm mounting plate with 4 bended edges

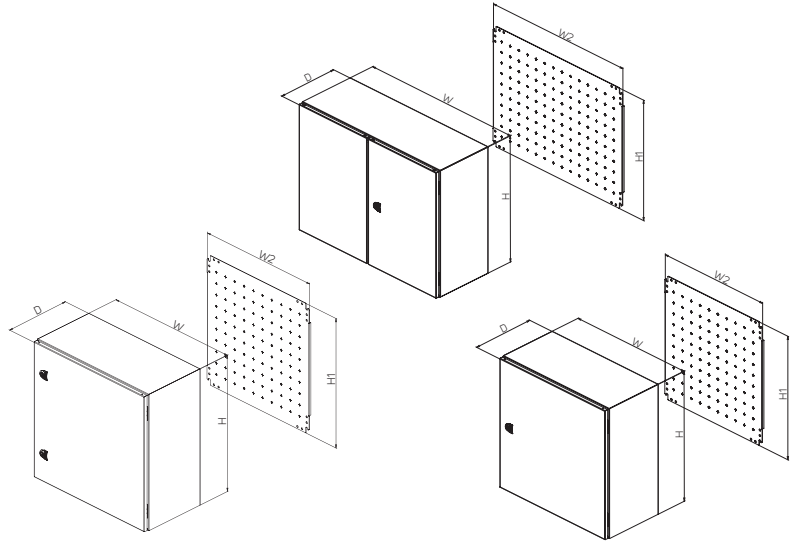
* Don't forget to order the ID-W-UB console

** Plinth steel version, height 100 mm, RAL 7046



inTEG WME COMPACT ENCLOSURES

STAINLESS STEEL



TECHNICAL SPECIFICATIONS

Material

- Enclosure: stainless steel 1.4301 (AISI 304), stainless steel 1.4404 (AISI 316L) on request
- Mounting plate: zinc-plated sheet steel

Enclosure surface finish

- Fine ground surface

IP rating

- IP66 single-door version / IP55 double-door version according to EN 60529 (degree of protection may be reduced after mounting accessories)

Mechanical resistance

- IK10 according to IEC 62262

Application

- Indoors and outdoors

Supply includes:

- single-door/double-door enclosure. The doors are fitted with a polyurethane foam seal all around the perimeter and a rotary lock or three-point locking system.
- Perforated mounting rails on the doors of cabinets 500 mm in height and higher
- Perforated mounting rails on the side panels of cabinets 500 mm in depth and deeper

- Mounting plate with a marked raster 50x50 mm

- Accessories for wall-mounting
- Clean design, without cable glands and hole for wall-mounting
- Cut outs for installation in the Conteg Modification Center

For detailed technical information, see pages 61-62

COMPACT ENCLOSURE, SINGLE-DOOR, HEIGHT 300 mm

		300	300	300	400	400
Enclosure	H (mm)	300	300	300	300	300
	W (mm)	200	300	300	400	400
	D (mm)	155	155	210	155	210
Mounting plate	H1 (mm)	270	270	270	270	270
	W2 (mm)	150	250	250	350	350
Material thickness (mm)	Enclosure body	1.25	1.25	1.25	1.25	1.25
	Door	1.5	1.5	1.5	1.5	1.5
	Mounting plate	2	2	2	2	2
Quantity	Hinges	2	2	2	2	2
	Cam locks	1	1	1	1	1
	Bolts	4	4	4	4	4
Weight (kg)		3.9	5.5	6.1	6.9	7.7
Code	1 pc	WME-X-030215	WME-X-030315	WME-X-030321	WME-X-030415	WME-X-030421

COMPACT ENCLOSURE, SINGLE-DOOR, HEIGHT 400 mm							
Enclosure	H (mm)	400	400	400	400	400	400
	W (mm)	300	300	400	400	600	600
	D (mm)	155	210	210	210	210	210
Mounting plate	H1 (mm)	370	370	370	370	370	370
	W2 (mm)	250	250	350	350	550	550
Material thickness (mm)	Enclosure body	1.25	1.25	1.25	1.25	1.25	1.25
	Door	1.5	1.5	1.5	1.5	1.5	1.5
	Mounting plate	2	2	2	2	2	2
Quantity	Hinges	2	2	2	2	2	2
	Cam locks	1	1	1	1	1	1
	Bolts	4	4	4	4	4	4
Weight (kg)		6.9	7.6	9.5	9.5	13.4	13.4
Code	1 pc	WME-X-040315	WME-X-040321	WME-X-040421	WME-X-040421	WME-X-040621	WME-X-040621

COMPACT ENCLOSURE, SINGLE-DOOR, HEIGHT 500 mm							
Enclosure	H (mm)	500	500	500	500	500	500
	W (mm)	400	400	500	500	500	500
	D (mm)	210	210	210	210	300	300
Mounting plate	H1 (mm)	470	470	470	470	470	470
	W2 (mm)	350	350	450	450	450	450
Material thickness (mm)	Enclosure body	1.25	1.25	1.25	1.25	1.25	1.25
	Door	1.5	1.5	1.5	1.5	1.5	1.5
	Mounting plate	2.5	2.5	2.5	2.5	2.5	2.5
Quantity	Hinges	2	2	2	2	2	2
	Cam locks	1	1	1	1	1	1
	Bolts	4	4	4	4	4	4
Weight (kg)		11.3	13.7	13.7	13.7	15.5	15.5
Code	1 pc	WME-X-050421	WME-X-050521	WME-X-050521	WME-X-050521	WME-X-050503	WME-X-050503

ACCESSORIES							
Rails for interior installation	1 set	-	-	-	-	-	ID-W-H5
Door-mounting rails	1 set	ID-W-VD4	ID-W-VD4	ID-W-VD5	ID-W-VD5	ID-W-VD5	ID-W-VD5
19" fixed extrusions	1 set	-	-	-	-	-	-
Interior door	1 pc	-	-	-	-	-	ID-W-ID55

COMPACT ENCLOSURE, SINGLE-DOOR, HEIGHT 600 mm								
Enclosure	H (mm)	600	600	600	600	600	600	600
	W (mm)	400	600	600	600	600	600	800
	D (mm)	210	210	250	300	400	400	300
Mounting plate	H1 (mm)	570	570	570	570	570	570	570
	W2 (mm)	350	550	550	550	550	550	750
Material thickness (mm)	Enclosure body	1.25	1.5	1.5	1.5	1.5	1.5	1.5
	Door	1.5	1.5	1.5	1.5	1.5	1.5	1.5
	Mounting plate	2.5	2.5	2.5	2.5	2.5	2.5	2.5
Quantity	Hinges	2	2	2	2	2	2	2
	Cam locks	2	2	2	2	2	2	2
	Bolts	4	4	4	4	4	4	4
Weight (kg)		13.2	20.3	21.4	22.8	25.9	25.9	29
Code	1 pc	WME-X-060421	WME-X-060621	WME-X-060625	WME-X-060603	WME-X-060604	WME-X-060604	WME-X-060803

ACCESSORIES								
Rails for interior installation	1 set	-	-	ID-W-H6	ID-W-H6	ID-W-H6	ID-W-H6	ID-W-H6
Door-mounting rails	1 set	ID-W-VD4	ID-W-VD6	ID-W-VD6	ID-W-VD6	ID-W-VD6	ID-W-VD6	ID-W-VD8
19" fixed extrusions	1 set	-	-	ID-W-U12	ID-W-U12	ID-W-U12	ID-W-U12	ID-W-U12 *
Interior door	1 pc	-	-	ID-W-ID66	ID-W-ID66	ID-W-ID66	ID-W-ID66	-
Plinth **	front and rear	1 set	-	-	ID-W-SPF60	ID-W-SPF60	ID-W-SPF60	ID-W-SPF80
	side panels	1 set	-	-	-	ID-W-SPS30	ID-W-SPS40	ID-W-SPS30

* Don't forget to order the ID-W-UB console

** Plinth stainless steel, height 100 mm, RAL 7046

COMPACT ENCLOSURE, SINGLE-DOOR, HEIGHT 700 – 1200 mm

Enclosure	H (mm)	700	800	800	800	1000	1200	1200
	W (mm)	500	600	600	800	800	800	800
	D (mm)	300	250	300	300	300	300	400
Mounting plate	H1 (mm)	670	770	770	770	,5	1170	1170
	W2 (mm)	450	550	550	750	750	750	750
Material thickness (mm)	Enclosure body	1.5	1.5	1.5	1.5	1.5	1.5	1.5
	Door	1,5	2	2	2	2	2	2
	Mounting plate	2.5	3 F	3 F	3 FF	3 FF	3 FF	3 FF
Quantity	Hinges	2	2	2	2	3	3	3
	Cam locks	2	2	2	2	-	-	-
	3-point locking system	-	-	-	-	+	+	+
	Bolts	4	4	4	4	6	6	6
Weight (kg)		22.3	29.2	31.7	40.2	48.6	57.1	62
Code	1 pc	WME-X-070503	WME-X-080625	WME-X-080603	WME-X-080803	WME-X-100803	WME-X-120803	WME-X-120804

ACCESSORIES

Rails for interior installation	1 set	ID-W-H7	ID-W-H8	ID-W-H8	ID-W-H8	ID-W-H10	ID-W-H12	ID-W-H12
Door-mounting rails	1 set	ID-W-VD5	ID-W-VD6	ID-W-VD6	ID-W-VD8	ID-W-VD8	ID-W-VD8	ID-W-VD8
19" fixed extrusions	1 set	-	ID-W-U17	ID-W-U17	ID-W-U17*	ID-W-U21*	ID-W-U25*	ID-W-U25*
Interior door	1 pc	ID-W-ID75	ID-W-ID86	ID-W-ID86	ID-W-ID88	ID-W-ID108	ID-W-ID128	ID-W-ID128
Plinth **	front and rear	1 set	-	-	ID-W-SPF60	ID-W-SPF80	ID-W-SPF80	ID-W-SPF80
	sides	1 set	-	-	ID-W-SPS30	ID-W-SPS30	ID-W-SPS30	ID-W-SPS40

3 F – 3mm mounting plate with 2 bended edges

3 FF – 3mm mounting plate with 4 bended edges

* Don't forget to order the ID-W-UB console

** Plinth stainless steel, height 100 mm, RAL 7046

COMPACT ENCLOSURE, DOUBLE-DOOR, HEIGHT 1000 – 1200 mm

Enclosure	H (mm)	1000	1200
	W (mm)	1000	1000
	D (mm)	300	300
Mounting plate	H1 (mm)	970	1170
	W2 (mm)	950	950
Material thickness (mm)	Enclosure body	1.5	1.5
	Door	2	2
	Mounting plate	3 FF	3 FF
Quantity	Hinges	3	3
	Bolts for mounting plates	6	6
3-point locking system		+	+
Weight (kg)		63.8	74.7
Code	1 pc	WME-X-201003	WME-X-221003

ACCESSORIES

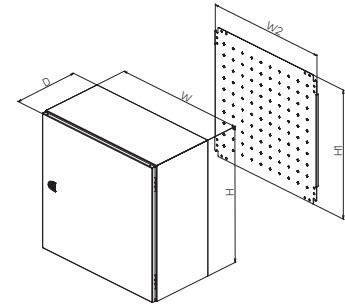
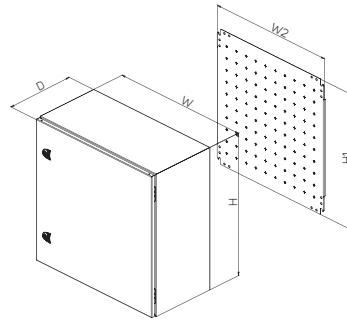
Rails for interior installation	1 set	ID-W-H10	ID-W-H12
Plinth **	front and rear	1 set	ID-W-SPF100
	sides	1 set	ID-W-SPS30

3 FF – 3mm mounting plate with 4 bended edges

** Plinth stainless steel, height 100 mm, RAL 7046

inTEG WME COMPACT ENCLOSURES

OUTDOOR VERSION



COLOR:  RAL 7035

TECHNICAL SPECIFICATIONS

Material

- Enclosure: stainless steel
- Mounting plate: zinc-plated sheet steel

Enclosure surface finish

- polyester-powdercoat

Color

- RAL 7035 for outdoor use

IP rating

- IP66 according to EN 60529 (the degree of protection may be reduced after mounting accessories)

Mechanical resistance

- IK10 according to IEC 62262

Supply includes

- Single-door enclosure. The doors are fitted with a polyurethane foam seal all around the perimeter and a rotary lock or 3-point locking system from a height of 1000 mm.
- Perforated mounting rails on the doors of cabinets 500 mm in height and higher
- Perforated mounting rails on the sides of cabinets 250 mm in depth and deeper
- Mounting plate with marked raster 50×50 mm

- Accessories for wall-mounting
- Clean design, without cable glands
- Cut outs for installation in the Conteg Modification Center

For detailed technical information, see pages 63-64

COMPACT ENCLOSURE, SINGLE-DOOR, HEIGHT 300 mm

		300	300	300	300	300
Enclosure	H (mm)	300	300	300	300	300
	W (mm)	200	300	300	400	400
	D (mm)	155	155	210	155	210
Mounting plate	H1 (mm)	270	270	270	270	270
	W2 (mm)	150	250	250	350	350
Material thickness (mm)	Enclosure body	1.25	1.25	1.25	1.25	1.25
	Door sections	1.5	1.5	1.5	1.5	1.5
	Mounting plate	2	2	2	2	2
Quantity	Hinges	2	2	2	2	2
	Rotary locks	1	1	1	1	1
	Bolts	4	4	4	4	4
Weight (kg)		3.9	5.5	6.1	6.9	7.7
Code	1 pc	WME-O-030215	WME-O-030315	WME-O-030321	WME-O-030415	WME-O-030421
ACCESSORIES						
Rain canopy	1 pc	ID-W-R2015	ID-W-R3015	ID-W-R3020	ID-W-R4015	ID-W-R4020
Pole-mounting brackets	1 set	ID-W-MP2	ID-W-MP3	ID-W-MP3	ID-W-MP4	ID-W-MP4

COMPACT ENCLOSURE, SINGLE-DOOR, HEIGHT 400 mm					
Enclosure	H (mm)	400	400	400	400
	W (mm)	300	300	400	600
	D (mm)	155	210	210	210
Mounting plate	H1 (mm)	370	370	370	370
	W2 (mm)	250	250	350	550
Material thickness (mm)	Enclosure body	1.25	1.25	1.25	1.25
	Door sections	1.5	1.5	1.5	1.5
	Mounting plate	2	2	2.5	2.5
Quantity	Hinges	2	2	2	2
	Rotary locks	1	1	1	1
	Bolts	4	4	4	4
Weight (kg)		6.9	7.6	9.5	13.4
Code	1 pc	WME-O-040315	WME-O-040321	WME-O-040421	WME-O-040621
ACCESSORIES					
Rain canopy	1 pc	ID-W-R3015	ID-W-R3020	ID-W-R4020	ID-W-R6020
Pole-mounting brackets	1 set	ID-W-MP3	ID-W-MP3	ID-W-MP4	ID-W-MP6

COMPACT ENCLOSURE, SINGLE-DOOR, HEIGHT 500 mm					
Enclosure	H (mm)	500	500	500	500
	W (mm)	400	500	500	500
	D (mm)	210	210	300	300
Mounting plate	H1 (mm)	470	470	470	470
	W2 (mm)	350	450	450	450
Material thickness (mm)	Enclosure body	1.25	1.25	1.25	1.25
	Door sections	1.5	1.5	1.5	1.5
	Mounting plate	2.5	2.5	2.5	2.5
Enclosure	Hinges	2	2	2	2
	Rotary locks	1	1	1	1
	Bolts	4	4	4	4
Weight (kg)		11.3	13.7	15.5	15.5
Code	1 pc	WME-O-050421	WME-O-050521	WME-O-050503	WME-O-050503
ACCESSORIES					
Rails for interior installation	1 set	-	-	-	ID-W-H5
Door-mounting rails	1 set	ID-W-VD4	ID-W-VD5	ID-W-VD5	ID-W-VD5
19" fixed extrusions	1 set	-	-	-	-
Interior door	1 pc	-	-	-	ID-W-ID55
Plinth **	front a and rear	1 set	-	-	-
	sides	1 set	-	-	-
Rain canopy	1 pc	ID-W-R4020	ID-W-R5020	ID-W-R5020	ID-W-R5030
Pole-mounting brackets	1 set	ID-W-MP4	ID-W-MP5	ID-W-MP5	ID-W-MP5

* Don't forget to order the ID-W-UB console

** Plinth stainless steel, height 100 mm, RAL 7046

COMPACT ENCLOSURE, SINGLE-DOOR, HEIGHT 600 mm							
Enclosure	H (mm)	600	600	600	600	600	600
	W (mm)	400	400	600	600	600	800
	D (mm)	210	300	210	300	400	300
Mounting plate	H1 (mm)	570	570	570	570	570	570
	W2 (mm)	350	350	550	550	550	750
Material thickness (mm)	Enclosure body	1.25	1.5	1.5	1.5	1.5	1.5
	Door sections	1.5	1.5	1.5	1.5	1.5	1.5
	Mounting plate	2.5	2.5	2.5	2.5	2.5	2.5
Quantity	Hinges	2	2	2	2	2	2
	Rotary locks	2	2	2	2	2	2
	Bolts	4	4	4	4	4	4
Weight (kg)		13.2	16.8	20.3	22.8	25.9	29
Code	1 pc	WME-O-060421	WME-O-060403	WME-O-060621	WME-O-060603	WME-O-060604	WME-O-060803

ACCESSORIES							
Rails for interior installation	1 set	-	ID-W-H6	-	ID-W-H6	ID-W-H6	ID-W-H6
Door-mounting rails	1 set	ID-W-VD4	ID-W-VD4	ID-W-VD6	ID-W-VD6	ID-W-VD6	ID-W-VD8
19" fixed extrusions	1 set	-	-	-	ID-W-U12	ID-W-U12	ID-W-U12 *
Interior door	1 pc	-	ID-W-ID64	-	ID-W-ID66	ID-W-ID66	-
Plinth **	front and rear	1 set	-	-	-	ID-W-SPF60	ID-W-SPF60
	sides	1 set	-	-	-	ID-W-SPS30	ID-W-SPS40
Rain canopy	1 pc	ID-W-R4020	ID-W-R4030	ID-W-R6020	ID-W-R6030	ID-W-R6040	ID-W-R8030
Pole-mounting brackets	1 set	ID-W-MP4	ID-W-MP4	ID-W-MP6	ID-W-MP6	ID-W-MP6	-

* Don't forget to order the ID-W-UB console

** Plinth stainless steel, height 100 mm, RAL 7046

COMPACT ENCLOSURE, SINGLE-DOOR, HEIGHT 700 – 800 mm							
Enclosure	H (mm)	700	800	800	800	800	800
	W (mm)	500	600	600	600	600	800
	D (mm)	300	250	300	400	300	300
Mounting plate	H1 (mm)	670	770	770	770	770	770
	W2 (mm)	450	550	550	550	550	750
Material thickness (mm)	Enclosure body	1.5	1.5	1.5	1.5	1.5	1.5
	Door sections	1.5	2	2	2	2	2
	Mounting plate	2.5	3 F	3 F	3 F	3 F	3 FF
Quantity	Hinges	2	2	2	2	2	2
	Rotary locks	2	2	2	2	2	2
	3-point locking system	-	-	-	-	-	-
	Bolts	4	4	4	4	4	4
Weight (kg)		22.3	29.2	31.7	35.2	40.2	
Code	1 pc	WME-O-070503	WME-O-080625	WME-O-080603	WME-O-080604	WME-O-080803	

ACCESSORIES							
Rails for interior installation	1 set	ID-W-H7	ID-W-H8	ID-W-H8	ID-W-H8	ID-W-H8	ID-W-H8
Door-mounting rails	1 set	ID-W-VD5	ID-W-VD6	ID-W-VD6	ID-W-VD6	ID-W-VD6	ID-W-VD8
19" fixed extrusions	1 set	-	ID-W-U17	ID-W-U17	ID-W-U17	ID-W-U17	ID-W-U17*
Interior door	1 pc	ID-W-ID75	ID-W-ID86	ID-W-ID86	ID-W-ID86	ID-W-ID86	ID-W-ID88
Plinth **	front and rear	1 set	-	-	ID-W-SPF60	ID-W-SPF60	ID-W-SPF80
	sides	1 set	-	-	ID-W-SPS30	ID-W-SPS40	ID-W-SPS30
Rain canopy	1 pc	ID-W-R5030	ID-W-R6025	ID-W-R6030	ID-W-R6040	ID-W-R6040	ID-W-R8030
Pole-mounting brackets	1 set	ID-W-MP5	ID-W-MP6	ID-W-MP6	ID-W-MP6	ID-W-MP6	-

3 F – 3mm mounting plate with 2 bended edges.

3 FF – 3mm mounting plate with 4 bended edges

* Don't forget to order the ID-W-UB console

** Plinth stainless steel, height 100 mm, RAL 7046

COMPACT ENCLOSURE, SINGLE-DOOR, HEIGHT 1000 – 1200 mm						
Enclosure	H (mm)	1000	1000	1000	1200	1200
	W (mm)	600	600	800	600	800
	D (mm)	300	400	400	300	400
Mounting plate	H1 (mm)	970	970	970	1170	1170
	W2 (mm)	550	550	750	550	750
Material thickness (mm)	Enclosure body	1.5	1.5	1.5	1.5	1.5
	Door sections	2	2	2	2	2
	Mounting plate	3 F	3 F	3 FF	3 F	3 FF
Quantity	Hinges	3	3	3	3	3
	Rotary locks	-	-	-	-	-
	3-point locking system	+	+	+	+	+
	Bolts	4	4	6	6	6
Weight (kg)		38.4	42.4	53.1	45	62
Code	1 pc	WME-O-100603	WME-O-100604	WME-O-100804	WME-O-120603	WME-O-120804

ACCESSORIES						
Rails for interior installation	1 set	ID-W-H10	ID-W-H10	ID-W-H10	ID-W-H12	ID-W-H12
Door-mounting rails	1 set	ID-W-VD6	ID-W-VD6	ID-W-VD8	ID-W-VD6	ID-W-VD8
19" fixed extrusions	1 set	ID-W-U21	ID-W-U21	ID-W-U21*	ID-W-U25	ID-W-U25*
Interior door	1 pc	ID-W-ID106	ID-W-ID106	ID-W-ID108	ID-W-ID126	ID-W-ID128
Plinth **	front and rear	1 set	ID-W-SPF60	ID-W-SPF60	ID-W-SPF80	ID-W-SPF80
	sides	1 set	ID-W-SPS30	ID-W-SPS40	ID-W-SPS40	ID-W-SPS40
Rain canopy	1 pc	ID-W-R6030	ID-W-R6040	ID-W-R8040	ID-W-R6030	ID-W-R8040
Pole-mounting brackets	1 set	ID-W-MP6	ID-W-MP6	-	ID-W-MP6	-

3 F – 3mm mounting plate with 2 bended edges

3 FF – 3mm mounting plate with 4 bended edges

* Don't forget to order the ID-W-UB console.

** Plinth stainless steel, height 100 mm, RAL 7046

Recommended accessories



Filter fans

More information [on page 50](#)



Rain canopy

More information [on page 41](#)



Lighting unit

More information [on page 43](#)

inTEG WME COMPACT ENCLOSURES

ACCESSORIES

RAILS FOR INTERIOR INSTALLATION



- Material: 2mm zinc-plated sheet steel with 25 mm perforation
- Rail width: 75 mm
- Mounting: onto interior rails, which are part of the enclosure
- Application: for distributors 250 mm deep and deeper and 400 mm in high and higher
- Supply includes: 2 mounting rails and accessories

Code	For enclosure height (mm)	Package
ID-W-H4	400	1 set
ID-W-H5	500	1 set
ID-W-H6	600	1 set
ID-W-H7	700	1 set
ID-W-H8	800	1 set
ID-W-H10	1000	1 set
ID-W-H12	1200	1 set
ID-W-H14	1400	1 set

1set = 2 pieces

19" FIXED EXTRUSIONS



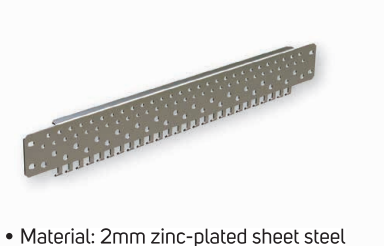
- Material: 2mm zinc-plated sheet steel
- Rail width: 56 mm
- Mounting: onto interior rails, which are part of the enclosure or onto the wall-mounting bracket ID-W-UD for enclosures 800 mm in width
- Application: for enclosures 250 mm deep and deeper and 600 and 800 mm wide
- Supply includes: 19" fixed extrusions and accessories

Code	For enclosure height (mm)	Package
ID-W-U8	400 (8U)	1 set
ID-W-U12	600 (12U)	1 set
ID-W-U17	800 (17U)	1 set
ID-W-U21	1000 (21U)	1 set
ID-W-U25	1200 (25U)	1 set

1 set = 2 pieces

For enclosure width 800 mm, it's necessary to order the ID-W-UB wall-mounting brackets, packing contains 4 pcs

DOOR-MOUNTING RAILS



- Material: 2mm zinc-plated sheet steel
- Rail width: 61 mm (including door-mounting rails)
- Mounting: onto rails for interior installation, which are part of the enclosure door
- Application: for enclosures 500 mm high and higher
- Supply includes: 2 pcs door-mounting rails and mounting accessories

Code	For enclosure width (mm)	Package
ID-W-VD3	300	1 set
ID-W-VD4	400	1 set
ID-W-VD5	500	1 set
ID-W-VD6	600	1 set
ID-W-VD8	800	1 set

1set = 2 pieces

SPARE MOUNTING PLATE



- Material: zinc-plated sheet steel
- Supply includes: mounting plate with marked raster 50×50 mm (securing materials in enclosure accessories)

Code	For sizes of enclosures H×W (mm)	Thickness of the material (mm)	Code	For sizes of enclosures H×W (mm)	Width of the material (mm)
ID-W-SP3020	300×200	2	ID-W-SP8060	800×600	3 F
ID-W-SP3025	300×250	2	ID-W-SP8080	800×800	3 FF
ID-W-SP3030	300×300	2	ID-W-SP8010	800×1000	3 FF
ID-W-SP3040	300×400	2	ID-W-SP8012	800×1200	3 FF
ID-W-SP4030	400×300	2	ID-W-SP1060	1000×600	3 F
ID-W-SP4040	400×400	2.5	ID-W-SP1080	1000×800	3 FF
ID-W-SP4060	400×600	2.5	ID-W-SP1010	1000×1000	3 FF
ID-W-SP5030	500×300	2	ID-W-SP1012	1000×1200	3 FF
ID-W-SP5040	500×400	2.5	ID-W-SP1260	1200×600	3 F
ID-W-SP5050	500×500	2.5	ID-W-SP1280	1200×800	3 FF
ID-W-SP6040	600×400	2.5	ID-W-SP1210	1200×1000	3 FF
ID-W-SP6050	600×500	2.5	ID-W-SP1212	1200×1200	3 FF
ID-W-SP6060	600×600	2.5	ID-W-SP1410	1400×1000	3 FF
ID-W-SP6080	600×800	2.5			
ID-W-SP7050	700×500	2.5			

3 F – 3mm mounting plate with 2 bended edges
 3 FF – 3mm mounting plate with 4 bended edges

BRACKETS FOR ADJUSTING MOUNTING PLATE



- Material: 2mm zinc-plated sheet steel
- Mounting: onto rails for interior installation, which are part of the enclosure
- Application: for enclosures 250 mm deep and deeper
- Supply includes: 4 wall-mounting brackets and mounting accessories

Code	Package
ID-W-AMB	4 pc

Only for enclosures with 4 bolts

INTERIOR DOOR



- Material: 1,5 mm sheet steel
- Surface finish: epoxipolyester-powdercoat
- Degree of protection: IP20
- Color: RAL 7035
- Mounting: onto rails for interior installation, which are part of the enclosure
- Application: for single-door enclosures 250 mm in depth and deeper
- Lock: 3 mm double bar, 2 resp. 3 hinges
- Load capacity 20 kg
- Supply includes: Interior door mounting accessories

Code	For enclosure sizes H×W (mm)
ID-W-ID54	500×400
ID-W-ID55	500×500
ID-W-ID64	600×400
ID-W-ID65	600×500
ID-W-ID66	600×600
ID-W-ID75	700×500
ID-W-ID86	800×600
ID-W-ID88	800×800
ID-W-ID106	1000×600
ID-W-ID108	1000×800
ID-W-ID126	1200×600
ID-W-ID128	1200×800

VIEWING DOOR



- Material: 1,5mm sheet steel, viewing door: 4mm hardened glass according to ČSN EN 12150, transparent
- Surface finish: epoxipolyester-powdercoat
- Color: RAL 7035
- Lock: 3 mm double bar, 2 resp. 3 Hinges
- Mounting: onto rails for interior installation, which are part of the enclosure
- Supply includes: viewing door and mounting accessories

Code	For enclosure sizes H×W (mm)
ID-W-TD43	400×300
ID-W-TD44	400×400
ID-W-TD54	500×400
ID-W-TD55	500×500
ID-W-TD64	600×400
ID-W-TD65	600×500
ID-W-TD66	600×600
ID-W-TD75	700×500
ID-W-TD86	800×600
ID-W-TD88	800×800
ID-W-TD106	1000×600
ID-W-TD108	1000×800
ID-W-TD126	1200×600
ID-W-TD128	1200×800

LOCKS/LOCK INSERTS



ID-W-INSS



Double bit

Square

Triangular

Code	Type	Material	Package
ID-W-INSS	Spare rotary Lock inTEG WME	–	1 set*
ID-W-INLK	T handle with a lock for inTEG WME, key 5333	chrome plated zamak	1 set**
ID-W-INLK1	Lock for inTEG WME, key 444	chrome plated zamak	1 set**
ID-W-INLK2	Lock pro inTEG WME, unique key	chrome plated zamak	1 set**
ID-W-INLK3	Handle with lock for inTEG WME, key 5333	chrome plated zamak	1 set**
ID-W-IND3	3 mm "Double bit"	black zamak	1 pc
ID-W-INS6	6 mm square	black zamak	1 pc
ID-W-INS7	7 mm square	black zamak	1 pc
ID-W-INS8	8 mm square	black zamak	1 pc
ID-W-INT7	7 mm triangle	black zamak	1 pc
ID-W-INT8	8 mm triangle	black zamak	1 pc
ID-W-INT9	9 mm triangle	black zamak	1 pc
ID-W-INLKE1	Lockable closure VW 1	chrome plated zamak	1 set**

* Complete replacement rotary double bit lock kit 5 mm with double bar

** Complete set of cam lock with double bar

WALL-MOUNTING BRACKETS



- Material: 3mm stainless steel (ID-W-WB) or zinc-plated sheet metal (ID-W-WBZN)
- Load capacity: 100 kg
- Supply includes: 4 pcs brackets and mounting material to mount onto enclosure

Code	Package
ID-W-WB	4
ID-W-WBZN	4

PLINTH

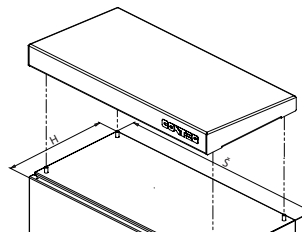


- Height: 100 mm
- Material: 2mm zinc-plated sheet steel/stainless steel 403
- Surface finish:
 - sheet steel: epoxypolyester-powdercoat
 - stainless steel: polyester-powdercoat
- Possibility of installing two plinths on top of each other (max. 4pcs)
- Supply includes: Plinth and accessories (set ID-W-PFxx / ID-W-PSxx or ID-W-SPFxx / ID-W-SPSxx)

PLINTH STAINLESS STEEL – FRONT AND REAR KIT				
Code	For enclosure width (mm)	Material	Color	Package
ID-W-SPF60	600	stainless steel	RAL 7046	1 set
ID-W-SPF80	800	stainless steel	RAL 7046	1 set
ID-W-SPF100	1000	stainless steel	RAL 7046	1 set
ID-W-SPF120	1200	stainless steel	RAL 7046	1 set
ID-W-SPF60G	600	stainless steel	RAL 7035	1 set
ID-W-SPF80G	800	stainless steel	RAL 7035	1 set
ID-W-SPF100G	1000	stainless steel	RAL 7035	1 set
ID-W-SPF120G	1200	stainless steel	RAL 7035	1 set

1 set contains 1 pcs front and 1 pcs rear and mounting accessories

RAIN CANOPY



- Material: 2mm aluminium sheet
- Surface finish: polyester-powdercoat
- Color: RAL 7035
- Mounting: directly into the enclosure roof, 4x M6 screws, the roof sloping is adjustable
- Holes for installation in the Conteg Modification Center
- Supply includes: roof and mounting accessories

PLINTH STAINLESS STEEL – SIDE KIT				
Code	For enclosure depth (mm)	Material	Color	Package
ID-W-SPS30	300	stainless steel	RAL 7046	1 set
ID-W-SPS40	400	stainless steel	RAL 7046	1 set
ID-W-SPS30G	300	stainless steel	RAL 7035	1 set
ID-W-SPS40G	400	stainless steel	RAL 7035	1 set

1 set contains 2 sides and mounting accessories

PLINTH STEEL – SIDE KIT				
Code	For enclosure depth (mm)	Material	Color	Package
ID-W-PS30	300	steel	RAL 7046	1 set
ID-W-PS40	400	steel	RAL 7046	1 set
ID-W-PS30G	300	steel	RAL 7035	1 set
ID-W-PS40G	400	steel	RAL 7035	1 set

1 set contains 2 pcs side kits and mounting accessories

PLINTH STEEL – FRONT AND REAR KIT				
Code	For enclosure width(mm)	Material	Color	Package
ID-W-PF60	600	steel	RAL 7046	1 set
ID-W-PF80	800	steel	RAL 7046	1 set
ID-W-PF100	1000	steel	RAL 7046	1 set
ID-W-PF120	1200	steel	RAL 7046	1 set
ID-W-PF60G	600	steel	RAL 7035	1 set
ID-W-PF80G	800	steel	RAL 7035	1 set
ID-W-PF100G	1000	steel	RAL 7035	1 set
ID-W-PF120G	1200	steel	RAL 7035	1 set

1 set contains 1 pcs front and 1 pcs rear and mounting accessories

Code	For enclosure dimensions WxD (mm)
ID-W-R2015	200x155
ID-W-R3015	300x155
ID-W-R3020	300x210
ID-W-R4015	400x155
ID-W-R4020	400x210
ID-W-R4030	400x300
ID-W-R5020	500x210
ID-W-R5030	500x300
ID-W-R6020	600x210
ID-W-R6025	600x250
ID-W-R6030	600x300
ID-W-R6040	600x400
ID-W-R8030	800x300
ID-W-R8040	800x400

POLE-MOUNTING BRACKETS



- Material: 2mm stainless steel sheet
- Mounting: for poles that are 250 mm in diameter
- Load capacity: 200 kg
- Supply includes: Pole-mounting brackets mounting accessories (2 pcs profile rails, 2 pcs clamping straps(l=850 mm), 8 sets: screws M8×12, self-locking nuts and washers adhesion)

Code	For rack width (mm)
ID-W-MP2	200
ID-W-MP25	250
ID-W-MP3	300
ID-W-MP4	400
ID-W-MP5	500
ID-W-MP6	600

DOOR STOP



- Material: 2mm zinc-plated sheet steel
- Application: for enclosures 500 mm in height and higher and 250 mm deep and deeper
- Supply includes: door stop and mounting accessories

Code	Package
ID-W-DS	1 pc

DOOR SWITCH



- Material – brackets: 2 mm zinc-plated sheet steel
- Door switch: IP65, plastic, 1NO + 1 NC, PG13,5, -25°C to +70°C
- Application: for enclosures 500 mm high and higher and 250 mm deep and deeper
- Supply includes: door switch and mounting accessories

Code	Package
ID-W-DC	1 pc

POCKET FOR DOCUMENTS



- Material: ABS
- Color: RAL 7035
- Dimensions: 234×241×31 mm (H×W×D)
- Mounting: self-adhesive tape
- Supply includes: pocket for documents including self-adhesive tape

Code	Package
ID-PO-A4	1 pc

LIGHTING UNIT



- Degree of protection: IP20
- Mounting: onto mounting plate, side of rails
- Technology LED, 12 illuminated spots
- Dimensions: 400×26×27 mm (W×H×D)
- Supply includes:
 - inter-connection cables
 - Brackets for mounting plate for fitting the lighting unit near the top in various depths

Code	Type	Package
ID-W-L	3W, 230 W, 50 Hz	1 pc

DRAINAGE DEVICE



- Material: plastic according to UL94V-0, dark grey, waterproof with UV protection
- Degree of protection: IP67
- Sealing: NBR
- Dimensions: Ø 60×49,5 mm, 17,5 mm inside the enclosure
- Water flow rate: 200 ml/hod
- Mounting: vertically at the lowest point, thread M50x1.5 with nut (Cut-out diameter 50 mm)

Code	Package
ID-EO-DD	1 pc

PRESSURE COMPENSATOR



- Mounting: PG 29 thread with union-nut (Cut-out diameter 37 mm)
- Mounting position: any position (installation other than vertical reduces the degree of protection to IP54)
- Material: plastic according to UL94 V-0, light grey RAL 7035
- Degree of protection: IP 55
- Dimensions: Ø 65,5×30,5 mm

Code	Package
ID-EO-PC	2 pcs

CABLE GLANDS AND NUTS WITH PG/METRIC THREAD



Code	Type	Thread/size	cable Ø (mm)	Package
ORO-PG7N	Sealing grommet Pg7	Pg7	2.5 – 6.5	10 pcs
ORO-PG9N	Sealing grommet Pg9	Pg9	3 – 8	5 pc
ORO-PG11N	Sealing grommet Pg11	Pg11	4 – 10	5 pc
ORO-PG13N	Sealing grommet Pg13	Pg13	5.5 – 12	5 pc
ORO-PG16N	Sealing grommet Pg16	Pg16	8.5 – 14	5 pc
ORO-PG21N	Sealing grommet Pg21	Pg21	11 – 18	5 pc
ORO-PG29N	Sealing grommet Pg29	Pg29	17 – 25	5 pc
ORO-PG36N	Sealing grommet Pg36	Pg36	22 – 33	1 pc
ORO-PG42N	Sealing grommet Pg42	Pg42	28 – 38	1 pc
ORO-PG48N	Sealing grommet Pg48	Pg48	32 – 44	1 pc
ORO-ZPG7N	Plastic nut with flange Pg7	Pg7	–	10 pcs
ORO-ZPG9N	Plastic nut with flange Pg9	Pg9	–	5 pc
ORO-ZPG11N	Plastic nut with flange Pg11	Pg11	–	5 pc
ORO-ZPG13N	Plastic nut with flange Pg13	Pg13	–	5 pc
ORO-ZPG16N	Plastic nut with flange Pg16	Pg16	–	5 pc
ORO-ZPG21N	Plastic nut with flange Pg21	Pg21	–	5 pc
ORO-ZPG29N	Plastic nut with flange Pg29	Pg29	–	5 pc
ORO-ZPG36N	Plastic nut with flange Pg36	Pg36	–	1 pc
ORO-ZPG42N	Plastic nut with flange Pg42	Pg42	–	1 pc
ORO-ZPG48N	Plastic nut with flange Pg48	Pg48	–	1 pc
ORO-M12N	Sealing grommet M12×1,5	M12×1,5	2.5 – 6.5	10 pcs
ORO-M16N	Sealing grommet M16×1,5	M16×1,5	4.5 – 10	5 pc
ORO-M20N	Sealing grommet M20×1,5	M20×1,5	7 – 13	5 pc
ORO-M25N	Sealing grommet M25×1,5	M25×1,5	10 – 17	5 pc
ORO-M32N	Sealing grommet M32×1,5	M32×1,5	17 – 25	5 pc
ORO-ZM12N	Plastic nut with flange M12×1,5	M12×1,5	–	10 pcs
ORO-ZM16N	Plastic nut with flange M16×1,5	M16×1,5	–	5 pc
ORO-ZM20N	Plastic nut with flange M20×1,5	M20×1,5	–	5 pc
ORO-ZM25N	Plastic nut with flange M25×1,5	M25×1,5	–	5 pc
ORO-ZM32N	Plastic nut with flange M32×1,5	M32×1,5	–	5 pc

- Material: Polyamide PA6, sealing CR (neoprene)
- Degree of protection: IP68
- Color: RAL 7035

EARTHING



- Supply includes:
 - ID-W-EK: complete earthing kit for whole enclosures
 - ID-W-EW68/ EW88/ EW8816: cable length 300 mm with crimped lugs

Code	Type	Package
ID-W-EK	Earthing kit inTEG WME	1 set
ID-W-EW68	Grounding wires M6, M8 (door, enclosure), cross-section 10 mm ²	10 pcs
ID-W-EW88	Grounding wires M8, M8 (enclosure, mounting plate), cross-section 10 mm ²	10 pcs
ID-W-EW8816	Grounding wires M8, M8 (enclosure, mounting plate), cross-section 16 mm ²	10 pcs

Set contains: nuts, screws for earthing door(s), enclosure and mounting plate

BAYING KIT



- Sealing material: polyethylene foam PNO1
- Sealing: width 15 mm and 10 mm thick
- In accordance with IP55 degree of protection
- Supply includes: complete set for connecting enclosures and connecting material

Code	Minimum enclosure wall dimensions HxD (mm)	Outer sealing dimensions HxD (mm)	Maximum hole size HxD (mm)	Package
ID-W-ROW4030	400x300	320x220	240x140	1 set
ID-W-ROW4040	400x400	320x320	240x240	1 set
ID-W-ROW6025	600x250	520x170	440x90	1 set
ID-W-ROW6030	600x300	520x220	440x140	1 set
ID-W-ROW6040	600x400	520x320	440x240	1 set
ID-W-ROW7025	700x250	620x170	540x90	1 set
ID-W-ROW7030	700x300	620x220	540x140	1 set
ID-W-ROW7040	700x400	620x320	540x240	1 set

CABLE GLAND PLATE METAL FULL



- Material: 1,5 mm sheet steel
- Surface finish: epoxypolyester-powdercoat
- Degree of protection: IP66
- Color: RAL 7035
- Mounting: bottom of enclosure
- Supply includes: Full metal gland plate, sealing and mounting accessories

For detailed technical information see page 64

Code	Size	Dimensions WxD (mm)	Package
ID-W-CG01A	A	90x150	1 pc
ID-W-CG01B	B	90x250	1 pc
ID-W-CG01C	C	140x250	1 pc
ID-W-CG01D	D	140x350	1 pc
ID-W-CG01E	E	140x450	1 pc
ID-W-CG01F	F	140x550	1 pc

GLAND PLATE WITH ROUND CABLE-ENTRY PLATE



- Material:
 - Bottom: varnished sheet steel
 - Round cable entry plate polyamide / elastomer, UL-94 Vo self-extinguishing
- Degree of protection: IP66
- Amount of cables: 7x3,2 – 6,5 mm; 2x5,0 – 10,2 mm; 1x16,0 – 22,2 mm
- Mounting: in the opening at the bottom of enclosure instead of full-metal gland plate
- Supply includes: Gland plate with round cable-entry plate

Code	Size	Round cable entry plate	Package
ID-W-CG03B	B	50/10	1 pc
ID-W-CG03C	C	50/10	1 pc
ID-W-CG03D	D	50/10	1 pc
ID-W-CG03E	E	50/10	1 pc
ID-W-CG03F	F	50/10	1 pc

GLAND PLATE WITH CABLE-ENTRY FRAME AND CABLE INSERTS



- Material:
 - Bottom: varnished sheet steel
 - Cable inserts: elastomer, UL-94 V₀, self-extinguishing
 - Cable-entry frame: polyamide, UL-94 V₀, self-extinguishing
- Frame size: 120×58 mm, 8 positions for cable inserts ID-W-CExx
- Degree of protection: IP54
- Amount of cables: see cable insert ID-W-CExx
- Mounting: in the opening at the bottom of enclosure instead of full metal gland plate
- Supply includes: Gland plate with cable-entry frame with holes

GLAND PLATE WITH CABLE-ENTRY FRAME

Code	Gland plate size	Frame size WxD (mm)	Amount of positions ID-W-CExx	Package
ID-W-CG02B	B	120×58	8	1 pc
ID-W-CG02C	C	120×58	8	1 pc
ID-W-CG02D	D	120×58	8	1 pc
ID-W-CG02E	E	120×58	8	1 pc
ID-W-CG02F	F	120×58	8	1 pc

CABLE INSERTS

Code	Ø v mm	Package
ID-W-CEP	cable blind ID-W-CG02x	1 pc
ID-W-CE3	3-4	1 pc
ID-W-CE4	4-5	1 pc
ID-W-CE5	5-6	1 pc
ID-W-CE6	6-7	1 pc
ID-W-CE7	7-8	1 pc
ID-W-CE8	8-9	1 pc
ID-W-CE9	9-10	1 pc
ID-W-CE10	10-11	1 pc
ID-W-CE11	11-12	1 pc
ID-W-CE12	12-13	1 pc
ID-W-CE13	13-14	1 pc
ID-W-CE14	14-15	1 pc
ID-W-CE2/3	2×3	1 pc
ID-W-CE2/4	2×4	1 pc
ID-W-CE2/5	2×5	1 pc
ID-W-CE2/5,5	2×5,5	1 pc
ID-W-CE2/6	2×6	1 pc
ID-W-CE2/6,5	2×6,5	1 pc
ID-W-CE2/7	2×7	1 pc
ID-W-CE4/3	4×3	1 pc
ID-W-CE4/4	4×4	1 pc
ID-W-CE4/4,5	4×4,5	1 pc
ID-W-CE4/5	4×5	1 pc
ID-W-CE4/5,5	4×5,5	1 pc
ID-W-CE4/6	4×6	1 pc

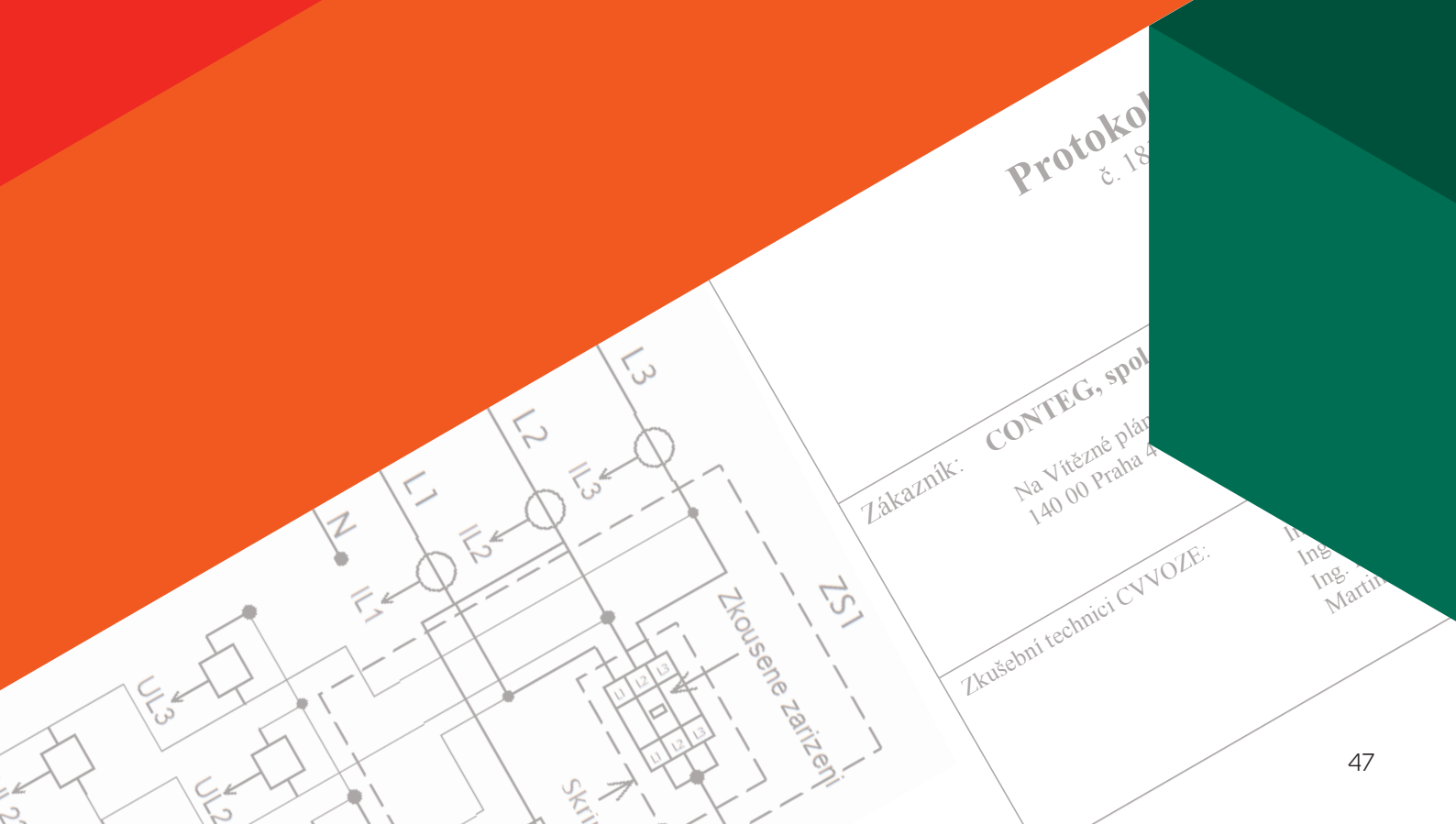
GLAND PLATE WITH CABLE-ENTRY PLATE



- Material:
 - Bottom: varnished sheet steel
 - Inlet: polyamide / elastomer, UL-94 V₀, self-extinguishing
- Degree of protection: IP64
- Amount of cables:
 - Membrane 24/19: 12× max. 6,5 mm; 7× 2,1 mm (Dimensions 142×44 mm)
 - Membrane 24/48: 48× max. 6,5 mm (Dimensions 142×44 mm)
- Mounting: in the opening at the bottom of enclosure instead of full metal gland plate
- Supply includes: Gland plate with cable-entry frame

Code	Gland plate size	Membrane	Package
ID-W-CG04B	B	24/19	1 pc
ID-W-CG04C	C	24/19	1 pc
ID-W-CG04D	D	24/19	1 pc
ID-W-CG04E	E	24/19	1 pc
ID-W-CG04F	F	24/19	1 pc
ID-W-CG05B	B	24/48	1 pc
ID-W-CG05C	C	24/48	1 pc
ID-W-CG05D	D	24/48	1 pc
ID-W-CG05E	E	24/48	1 pc
ID-W-CG05F	F	24/48	1 pc

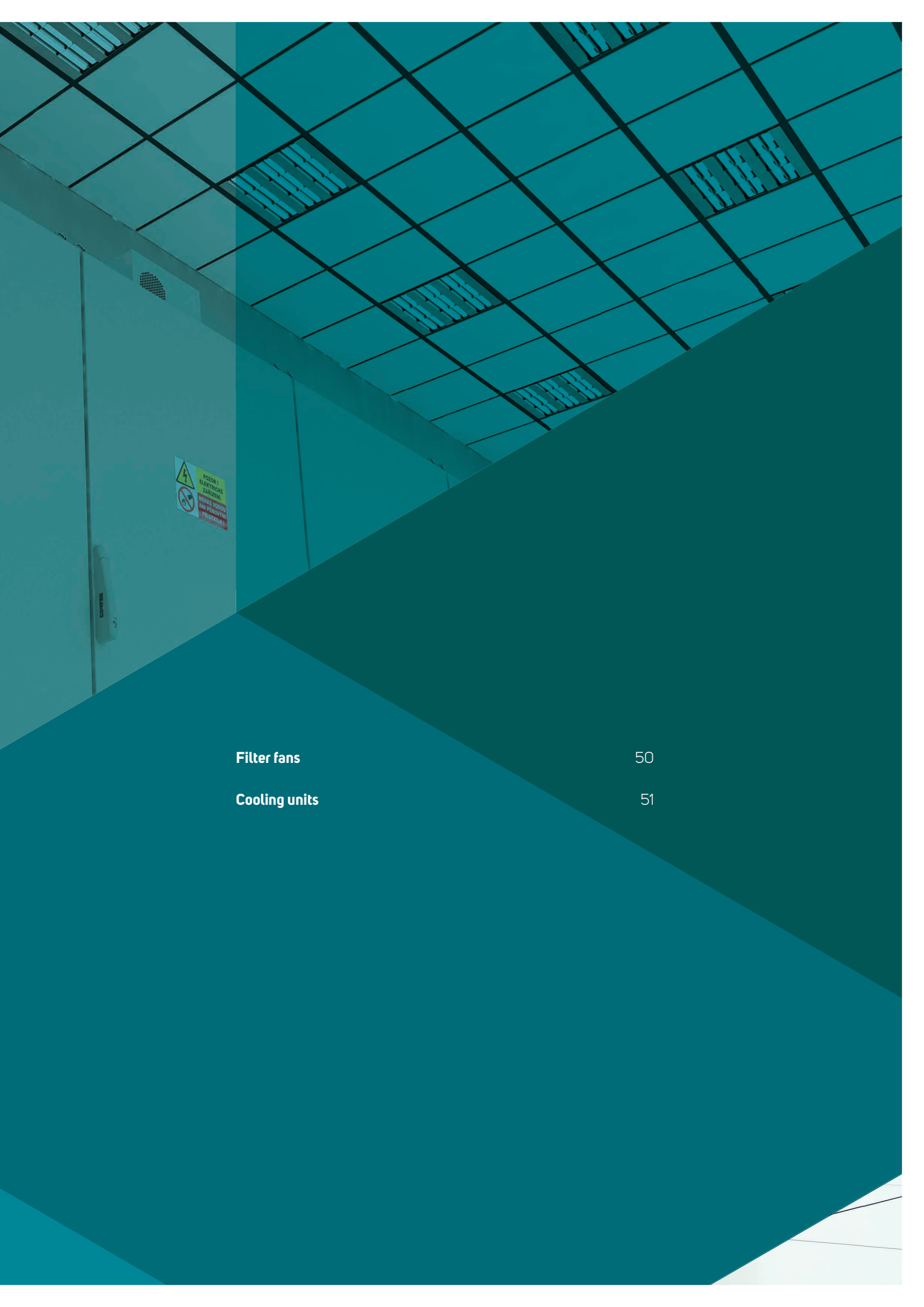
Free-standing enclosures **inTEG FSE** are in accordance with the norm for empty enclosures **EN 62208 ed.2** and also meet the requirements for enclosure design according to the set of norms **EN 61439**.





03

CLIMATE CONTROL
SOLUTIONS



Filter fans

50

Cooling units

51

CLIMATE CONTROL SOLUTIONS

FILTER FANS



MAIN ADVANTAGES

- Quick assembly without screws and tools into a square Cut-out, easy to mount with highly elastic clips
- Easy filter insert replacement from the outside without tools
- Possible to change airflow direction
- Airflow up to 800 m³/h
- Can be mounted in an enclosure with a sheet thickness of 1 - 2.5 mm
- IP 54 standard degree of protection
- Side and top ventilator placement
- Operating temperature range -10 °C up to +70 °C
- Polyurethane foam sealing around the whole perimeter
- Resistance against UV radiation
- Holes for installation in the Conteg Modification Center

TECHNICAL SPECIFICATIONS

- Plastic parts made of ABS/PC mix, all parts are self-extinguishing according to UL 94V-0
- Standard color RAL 7035 (different color on request)
- Filter inserts made of synthetic fibres of class G3 according to EN 779 and class G4 according to EN 779 and UL 900 class 2
- self-extinguishing in class F1 according to DIN 53 438
- Filter inserts are cleaned by washing, compressed air and banging
- Encapsulated fan ball bearings
- IP54 standard degree of protection EN 60529 and NEMA 12 according to UL 50
- IP55 settable (according to EN 60529)
- IP56 when using protective cover against splashing water
- EMC version available on request

FANS

Code	Airflow	Dimensions H x W x D	Voltage**	Frequency	Outlet filter grid	Cut-out dimensions	IP rating
ID-EF-01-4	12/15 m ³ /h	106,5 x 106,5 x 59,9 mm	230 VAC	50/60 Hz	ID-EF-01	92 x 92 mm	IP54
ID-EF-01-1	15 m ³ /h	106,5 x 106,5 x 59,9 mm	24 VDC	-	ID-EF-01	92 x 92 mm	IP54
ID-EF-04-4	45/50 m ³ /h	150 x 150 x 65,5 mm	230 VAC	50/60 Hz	ID-EF-03	125 x 125 mm	IP54
ID-EF-04-1	47 m ³ /h	150 x 150 x 65,5 mm	24 VDC	-	ID-EF-03	125 x 125 mm	IP54
ID-EF-10-4	100/110 m ³ /h	203,9 x 203,9 x 87,5 mm	230 VAC	50/60 Hz	ID-EF-05	177 x 177 mm	IP54
ID-EF-10-1	100 m ³ /h	203,9 x 203,9 x 87,5 mm	24 VDC	-	ID-EF-05	177 x 177 mm	IP54
ID-EF-23-4	230/270 m ³ /h	250 x 250 x 115,3 mm	230 VAC	50/60 Hz	ID-EF-07	223 x 223 mm	IP54
ID-EF-22-1	225 m ³ /h	250 x 250 x 115,3 mm	24 VDC	-	ID-EF-07	223 x 223 mm	IP54
ID-EF-52-4	520/580 m ³ /h	325 x 325 x 150,7 mm	230 VAC	50/60 Hz	ID-EF-09	291 x 291 mm	IP54
ID-EF-71-4	710/800 m ³ /h	325 x 325 x 149 mm	230 VAC	50/60 Hz	ID-EF-09	291 x 291 mm	IP54
ID-EFT-42-4*	420/490 m ³ /h	324 x 324 x 94 mm	230 VAC	50/60 Hz	ID-EF-09	fan 175 x 175 mm / grid 291 x 291 mm	IP54
ID-EQ-TC	Thermostat for cooling	55 x 33 x 43 mm	250 VAC / 10 A	-	-	-	IP20

* Top version

** Other input voltage options available upon request



For more detailed information, please refer to the product catalog "Climate control solutions" at www.conteg.com or contact our sales representatives.

CLIMATE CONTROL SOLUTIONS

COOLING UNITS



MAIN ADVANTAGES

- Cooling capacity from 320 W up to 4000 W
- Easy maintenance - units don't require filter inserts
- Higher cooling capacity and reliability thanks to highly efficient condenser made of aluminium
- Units are environmentally friendly - cooling medium R134a
- Robust steel-plated or stainless steel cases
- Simple regulation and monitoring
- Easy and fast mounting (side and top version)
- High-quality components ensure long service life and reliability (such as the Mitsubishi Electric rotary piston compressor)
- Transport units in any position
- World-recognized certifications (UL, CUL, CE)
- Holes for installation in the Conteg Modification Center

TECHNICAL SPECIFICATIONS

- Material: sheet steel/stainless steel
- Color: RAL 7035
- Cooling medium: R134a
- Degree of protection:
 - Outer circle IP54
 - Inner circle IP24
- Mounting type:
 - External
 - Fully recessed
- Certification: CE, cURus
- Supply includes:
 - Unit prepared for connection and immediate use

COOLING UNITS SLIM (WALL-MOUNTED OR FULLY RECESSED MOUNTING)

Code	Cooling capacity	Dimensions H x W x D	Voltage*	Frequency	Version	Cut-out dimensions	IP rating
AC-WM3-03-4000	320 W	520 x 270 x 110 mm	230 VAC	50/60 Hz	sheet steel	501 x 251 mm	IP54 / IP24
AC-WM3-03-4200	320 W	520 x 270 x 110 mm	230 VAC	50/60 Hz	stainless steel	501 x 251 mm	IP54 / IP24
AC-WM3-04-4000	400 W	520 x 320 x 110 mm	230 VAC	50/60 Hz	sheet steel	504 x 308 mm	IP54 / IP24
AC-WM3-04-4200	400 W	520 x 320 x 110 mm	230 VAC	50/60 Hz	stainless steel	504 x 308 mm	IP54 / IP24
AC-WM3-04-400H	400 W	340 x 520 x 110 mm	230 VAC	50/60 Hz	sheet steel	321 x 501 mm	IP54 / IP24
AC-WM3-04-420H	400 W	340 x 520 x 110 mm	230 VAC	50/60 Hz	stainless steel	321 x 501 mm	IP54 / IP24
AC-WM3-05-4000	500 W	600 x 320 x 110 mm	230 VAC	50/60 Hz	sheet steel	581 x 301 mm	IP54 / IP24
AC-WM3-05-4200	500 W	600 x 320 x 110 mm	230 VAC	50/60 Hz	stainless steel	581 x 301 mm	IP54 / IP24
AC-WM3-08-4000	820 W	980 x 395 x 145 mm	230 VAC	50/60 Hz	sheet steel	954 x 376 mm	IP54 / IP24
AC-WM3-08-4200	820 W	980 x 395 x 145 mm	230 VAC	50/60 Hz	stainless steel	954 x 376 mm	IP54 / IP24
AC-WM3-08-6000	820 W	980 x 395 x 145 mm	400 VAC	50/60 Hz	sheet steel	954 x 376 mm	IP54 / IP24
AC-WM3-08-6200	820 W	980 x 395 x 145 mm	400 VAC	50/60 Hz	stainless steel	954 x 376 mm	IP54 / IP24
AC-WM3-11-4000	1100 W	1250 x 395 x 145 mm	230 VAC	50/60 Hz	sheet steel	1214 x 376 mm	IP54 / IP24
AC-WM3-11-4200	1100 W	1250 x 395 x 145 mm	230 VAC	50/60 Hz	stainless steel	1214 x 376 mm	IP54 / IP24
AC-WM3-11-6000	1100 W	1250 x 395 x 145 mm	400 VAC	50/60 Hz	sheet steel	1214 x 376 mm	IP54 / IP24
AC-WM3-11-6200	1100 W	1250 x 395 x 145 mm	400 VAC	50/60 Hz	stainless steel	1214 x 376 mm	IP54 / IP24
AC-WM3-15-4000	1500 W	1550 x 395 x 145 mm	230 VAC	50/60 Hz	sheet steel	1531 x 376 mm	IP54 / IP24
AC-WM3-15-4200	1500 W	1550 x 395 x 145 mm	230 VAC	50/60 Hz	stainless steel	1531 x 376 mm	IP54 / IP24
AC-WM3-15-6000	1500 W	1550 x 395 x 145 mm	400 VAC	50/60 Hz	sheet steel	1531 x 376 mm	IP54 / IP24
AC-WM3-15-6200	1500 W	1550 x 395 x 145 mm	400 VAC	50/60 Hz	stainless steel	1531 x 376 mm	IP54 / IP24

* Other input voltage options available upon request

COOLING UNITS COMPACT (WALL-MOUNTED)

Code*	Cooling capacity	Dimensions H x W x D	Voltage	Frequency	Material	Cut-out dimensions	Degree of protection
AC-WM4-03-4000	320/360 W	500 x 280 x 200 mm	230 VAC	50/60 Hz	sheet steel	480 x 240 mm	IP54 / IP24
AC-WM4-03-4200	320/360 W	500 x 280 x 200 mm	230 VAC	50/60 Hz	stainless steel	480 x 240 mm	IP54 / IP24
AC-WM4-05-4000	550/620 W	650 x 315 x 260 mm	230 VAC	50/60 Hz	sheet steel	635 x 275 mm	IP54 / IP24
AC-WM4-05-4200	550/620 W	650 x 315 x 260 mm	230 VAC	50/60 Hz	stainless steel	635 x 275 mm	IP54 / IP24
AC-WM4-05-7000	550/620 W	650 x 315 x 260 mm	400 VAC	50/60 Hz	sheet steel	635 x 275 mm	IP54 / IP24
AC-WM4-05-7200	550/620 W	650 x 315 x 260 mm	400 VAC	50/60 Hz	stainless steel	635 x 275 mm	IP54 / IP24
AC-WM4-08-4000	750/780 W	650 x 315 x 260 mm	230 VAC	50/60 Hz	sheet steel	635 x 275 mm	IP54 / IP24
AC-WM4-08-4200	750/780 W	650 x 315 x 260 mm	230 VAC	50/60 Hz	stainless steel	635 x 275 mm	IP54 / IP24
AC-WM4-08-7000	750 W	650 x 315 x 260 mm	400 VAC	50/60 Hz	sheet steel	635 x 275 mm	IP54 / IP24
AC-WM4-08-7200	750 W	650 x 315 x 260 mm	400 VAC	50/60 Hz	stainless steel	635 x 275 mm	IP54 / IP24
AC-WM4-10-4000	1000/1080 W	650 x 315 x 260 mm	230 VAC	50/60 Hz	sheet steel	635 x 275 mm	IP54 / IP24
AC-WM4-10-4200	1000/1080 W	650 x 315 x 260 mm	230 VAC	50/60 Hz	stainless steel	635 x 275 mm	IP54 / IP24
AC-WM4-10-7000	1000 W	650 x 315 x 260 mm	400 VAC	50/60 Hz	sheet steel	635 x 275 mm	IP54 / IP24
AC-WM4-10-7200	1000 W	650 x 315 x 260 mm	400 VAC	50/60 Hz	stainless steel	635 x 275 mm	IP54 / IP24
AC-WM4-15-4000	1500/1630 W	980 x 395 x 260 mm	230 VAC	50/60 Hz	sheet steel	920 x 335 mm	IP54 / IP24
AC-WM4-15-4200	1500/1630 W	980 x 395 x 260 mm	230 VAC	50/60 Hz	stainless steel	920 x 335 mm	IP54 / IP24
AC-WM4-15-7000	1500 W	980 x 395 x 260 mm	400 VAC	50/60 Hz	sheet steel	920 x 335 mm	IP54 / IP24
AC-WM4-15-7200	1500 W	980 x 395 x 260 mm	400 VAC	50/60 Hz	stainless steel	920 x 335 mm	IP54 / IP24
AC-WM4-20-4000	2000 W	980 x 395 x 260 mm	230 VAC	50/60 Hz	sheet steel	920 x 335 mm	IP54 / IP24
AC-WM4-20-4200	2000 W	980 x 395 x 260 mm	230 VAC	50/60 Hz	stainless steel	920 x 335 mm	IP54 / IP24
AC-WM4-20-6000	2000 W	980 x 395 x 260 mm	400 VAC	50/60 Hz	sheet steel	920 x 335 mm	IP54 / IP24
AC-WM4-20-6200	2000 W	980 x 395 x 260 mm	400 VAC	50/60 Hz	stainless steel	920 x 335 mm	IP54 / IP24
AC-WM4-25-4000	2500 W	1230 x 500 x 340 mm	230 VAC	50/60 Hz	sheet steel	1130 x 430 mm	IP54 / IP24
AC-WM4-25-4200	2500 W	1230 x 500 x 340 mm	230 VAC	50/60 Hz	stainless steel	1130 x 430 mm	IP54 / IP24
AC-WM4-25-7000	2500 W	1230 x 500 x 340 mm	400 VAC	50/60 Hz	sheet steel	1130 x 430 mm	IP54 / IP24
AC-WM4-25-7200	2500 W	1230 x 500 x 340 mm	400 VAC	50/60 Hz	stainless steel	1130 x 430 mm	IP54 / IP24
AC-WM4-30-4000	3000 W	1230 x 500 x 340 mm	230 VAC	50/60 Hz	sheet steel	1130 x 430 mm	IP54 / IP24
AC-WM4-30-4200	3000 W	1230 x 500 x 340 mm	230 VAC	50/60 Hz	stainless steel	1130 x 430 mm	IP54 / IP24
AC-WM4-30-6000	3000 W	1230 x 500 x 340 mm	400 VAC	50/60 Hz	sheet steel	1130 x 430 mm	IP54 / IP24
AC-WM4-30-6200	3000 W	1230 x 500 x 340 mm	400 VAC	50/60 Hz	stainless steel	1130 x 430 mm	IP54 / IP24
AC-WM4-40-4000	4000 W	1230 x 500 x 340 mm	230 VAC	50/60 Hz	sheet steel	1130 x 430 mm	IP54 / IP24
AC-WM4-40-4200	4000 W	1230 x 500 x 340 mm	230 VAC	50/60 Hz	stainless steel	1130 x 430 mm	IP54 / IP24
AC-WM4-40-6000	4000 W	1230 x 500 x 340 mm	400 VAC	50/60 Hz	sheet steel	1130 x 430 mm	IP54 / IP24
AC-WM4-40-6200	4000 W	1230 x 500 x 340 mm	400 VAC	50/60 Hz	stainless steel	1130 x 430 mm	IP54 / IP24

* AC-WM4-xx-7xxx multi power supply: 120 V; 60 Hz ~N; 400 V; 50/60 Hz ~N; 460 V; 50/60 Hz ~N

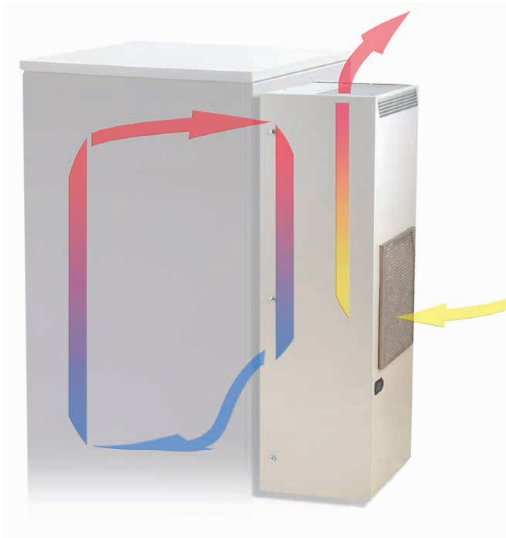
AIR-COOLING UNITS TOP (TOP MOUNTING)

Code	Cooling capacity	Dimensions HxWxD	Voltage*	Frequency	Material	Cut-out dimensions	IP rating
AC-TM3-04-4000	450/460 W	230 x 430 x 330 mm	230 VAC	50/60 Hz	sheet steel	142 x 98 mm / 142 x 147.5 mm	IP54 / IP24
AC-TM3-04-4200	450/460 W	230 x 430 x 330 mm	230 VAC	50/60 Hz	stainless steel	142 x 98 mm / 142 x 147.5 mm	IP54 / IP24
AC-TM3-11-4000	1100/1150 W	400 x 600 x 400 mm	230 VAC	50/60 Hz	sheet steel	108 x 530 mm (x2)	IP54 / IP24
AC-TM3-11-4200	1100/1150 W	400 x 600 x 400 mm	230 VAC	50/60 Hz	stainless steel	108 x 530 mm (x2)	IP54 / IP24
AC-TM3-11-6000	1100/1150 W	400 x 600 x 400 mm	400 VAC	50/60 Hz	sheet steel	108 x 530 mm (x2)	IP54 / IP24
AC-TM3-11-6200	1100/1150 W	400 x 600 x 400 mm	400 VAC	50/60 Hz	stainless steel	108 x 530 mm (x2)	IP54 / IP24
AC-TM3-15-4000	1500 W	410 x 600 x 400 mm	230 VAC	50/60 Hz	sheet steel	363 x 236,4 mm (x2)	IP54 / IP24
AC-TM3-15-4200	1500 W	410 x 600 x 400 mm	230 VAC	50/60 Hz	stainless steel	363 x 236,4 mm (x2)	IP54 / IP24
AC-TM3-15-6000	1500 W	410 x 600 x 400 mm	400 VAC	50/60 Hz	sheet steel	363 x 236,4 mm (x2)	IP54 / IP24
AC-TM3-15-6200	1500 W	410 x 600 x 400 mm	400 VAC	50/60 Hz	stainless steel	363 x 236,4 mm (x2)	IP54 / IP24
AC-TM3-20-6000	2000 W	410 x 600 x 400 mm	400 VAC	50/60 Hz	sheet steel	363 x 236,4 mm (x2)	IP54 / IP24
AC-TM3-20-6200	2000 W	410 x 600 x 400 mm	400 VAC	50/60 Hz	stainless steel	363 x 236,4 mm (x2)	IP54 / IP24
AC-TM3-30-6000	3000 W	460 x 760 x 575 mm	400 VAC	50/60 Hz	sheet steel	500 x 245 mm / 500 x 157.5 mm	IP54 / IP24
AC-TM3-30-6200	3000 W	460 x 760 x 575 mm	400 VAC	50/60 Hz	stainless steel	500 x 245 mm / 500 x 157.5 mm	IP54 / IP24

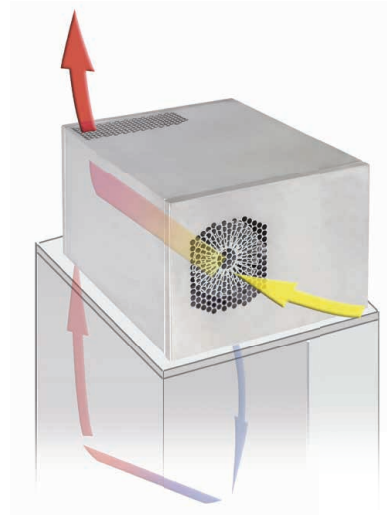
* Other input voltage options available upon request

AIR FLOW

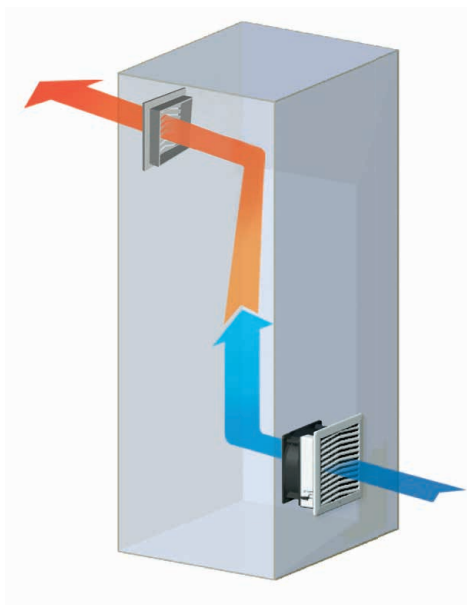
COOLING UNITS – WALL-MOUNTED



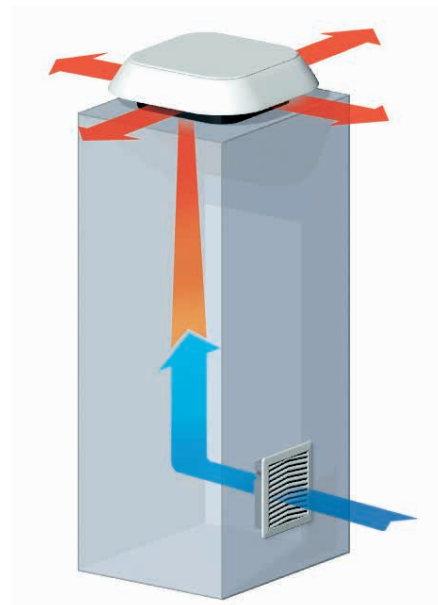
COOLING UNITS – TOP



FANS – WALL-MOUNTED



FANS – TOP



For more detailed information, please refer to the product catalog "Climate control solutions" at www.conteg.com or contact our sales representative.

The background of the image is a purple-tinted technical drawing. It features various geometric shapes, lines, and dimension lines. A pencil is positioned diagonally in the lower-left corner, and an eraser is in the upper-right. The drawing includes labels like 'A', 'B', 'C', 'D', 'E', 'F', and 'G' for dimensions. A grid of small 'x' marks is visible in the upper right. The overall composition is clean and professional, typical of an educational or technical manual cover.

04

TECHNICAL DRAWINGS



inTEG FSE Free-standing enclosures

Sheet steel

56

56

inTEG WME Compact enclosures

Sheet steel and sheet steel with glazed door

Stainless steel

Outdoor version

58

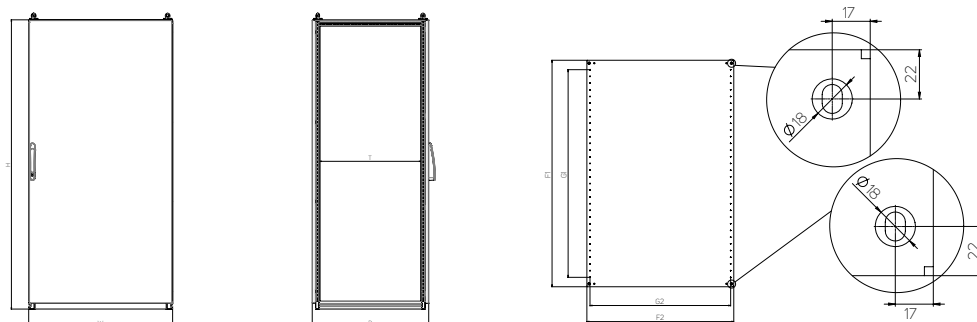
58

61

63

inTEG FSE FREE-STANDING ENCLOSURES

inTEG FSE FREE-STANDING ENCLOSURES SHEET STEEL



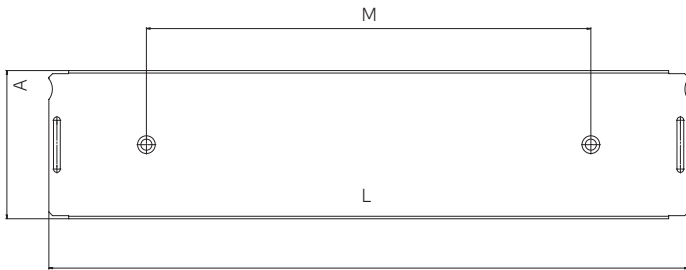
Code	Height (mm)	Width (mm)	Depth (mm)		Mounting plate (mm)				Material thickness (mm)			Type of cable gland plate	Quantity of doors
	H *	W *	D *	T	F1	F2	G1	G2	Enclosure	Door	Mounting plate		
FSE-180405	1800	400	500	410	1691.2	297	1550	250	1,25	2	3	B1; C1	1
FSE-180406	1800	400	600	510	1691.2	297	1550	250	1.25	2	3	A1; B1; C1	1
FSE-180604	1800	600	400	310	1691.2	497	1550	450	1,25	2	3	A6; B2	1
FSE-180605	1800	600	500	410	1691.2	497	1550	450	1.25	2	3	B2; C2	1
FSE-180606	1800	600	600	510	1691.2	497	1550	450	1.25	2	3	A2; B2; C2	1
FSE-180804	1800	800	400	310	1691.2	697	1550	650	1.25	2	3	A7; B3	1
FSE-180805	1800	800	500	410	1691.2	697	1550	650	1.25	2	3	B3; C3	1
FSE-280805	1800	800	500	410	1691.2	697	1550	650	1.25	2	3	B3; C3	2
FSE-180806	1800	800	600	510	1691.2	697	1550	650	1.25	2	3	A3; B3; C3	1
FSE-280806	1800	800	600	510	1691.2	697	1550	650	1.25	2	3	A3; B3; C3	2
FSE-181004	1800	1000	400	310	1691.2	897	1550	850	1.25	2	3	A8; B4	1
FSE-281004	1800	1000	400	310	1691.2	897	1550	850	1.25	2	3	A8; B4	2
FSE-181005	1800	1000	500	410	1691.2	897	1550	850	1.25	2	3	B4; C4	1
FSE-181006	1800	1000	600	510	1691.2	897	1550	850	1.25	2	3	A4; B4; C4	1
FSE-281204	1800	1200	400	310	1691.2	1097	1550	1050	1.25	2	3	A9; B5	2
FSE-281205	1800	1200	500	410	1691.2	1097	1550	1050	1.25	2	3	B5; C5	2
FSE-281206	1800	1200	600	510	1691.2	1097	1550	1050	1.25	2	3	A5; B5; C5	2
FSE-200405	2000	400	500	410	1891.2	297	1750	250	1.25	2	3	B1; C1	1
FSE-200406	2000	400	600	510	1891.2	297	1750	250	1.25	2	3	A1; B1; C1	1
FSE-200604	2000	600	400	310	1891.2	497	1750	250	1.25	2	3	A6; B2	1
FSE-200605	2000	600	500	410	1891.2	497	1750	250	1.25	2	3	B2; C2	1
FSE-200606	2000	600	600	510	1891.2	497	1750	250	1.25	2	3	A2; B2; C2	1
FSE-200608	2000	600	800	710	1891.2	497	1750	250	1.25	2	3	A2; 2x B2; C2	1
FSE-200804	2000	800	400	310	1891.2	697	1750	650	1.25	2	3	A7; B3	1
FSE-200805	2000	800	500	410	1891.2	697	1750	650	1.25	2	3	B3; C3	1
FSE-200806	2000	800	600	510	1891.2	697	1750	650	1.25	2	3	A3; B3; C3	1
FSE-200808	2000	800	800	710	1891.2	697	1750	650	1.25	2	3	A3; 2x B3; C3	1
FSE-201004	2000	1000	400	310	1891.2	897	1750	850	1.25	2	3	A8; B4	1
FSE-301004	2000	1000	400	310	1891.2	897	1750	850	1.25	2	3	A8; B4	2
FSE-201005	2000	1000	500	410	1891.2	897	1750	850	1.25	2	3	B4; C4	1
FSE-301005	2000	1000	500	410	1891.2	897	1750	850	1.25	2	3	B4; C4	2
FSE-201006	2000	1000	600	510	1891.2	897	1750	850	1.25	2	3	A4; B4; C4	1
FSE-301006	2000	1000	600	510	1891.2	897	1750	850	1.25	2	3	A4; B4; C4	2
FSE-201008	2000	1000	800	710	1891.2	897	1750	850	1.25	2	3	A4; 2xB4; C4	1

* internal dimensions: H - 90 mm, W - 90 mm, D - 90 mm

Code	Height (mm)	Width (mm)	Depth (mm)		Mounting plate (mm)				Material thickness (mm)			Typ of cable gland plate	Quantity of doors
	H *	W *	D *	T	F1	F2	G1	G2	Enclosure	Door	Mounting plate		
FSE-301204	2000	1200	400	310	1891.2	1097	1750	1050	1.25	2	3	2xA9; 2xB5	2
FSE-301205	2000	1200	500	410	1891.2	1097	1750	1050	1.25	2	3	2xB5; 2xC5	2
FSE-301206	2000	1200	600	510	1891.2	1097	1750	1050	1.25	2	3	2xA5; 2xB5; 2xC5	2
FSE-301208	2000	1200	800	710	1891.2	1097	1750	1050	1.25	2	3	2xA5; 4xB5; 2xC5	2
FSE-220406	2200	400	600	510	2091.2	297	1950	250	1.25	2	3	A1; B1; C1	1
FSE-220606	2200	600	600	510	2091.2	497	1950	450	1.25	2	3	A2; B2; C2	1
FSE-220608	2200	600	800	710	2091.2	497	1950	450	1.25	2	3	A2; 2x B2; C2	1
FSE-220806	2200	800	600	510	2091.2	697	1950	650	1.25	2	3	A3; B3; C3	1
FSE-220808	2200	800	800	710	2091.2	697	1950	650	1.25	2	3	A3; 2xB3; C3	1
FSE-221006	2200	1000	600	510	2091.2	897	1950	850	1.25	2	3	A4; B4; C4	1
FSE-321206	2200	1200	600	510	2091.2	1097	1950	1050	1.25	2	3	2xA5; 2xB5; 2xC5	2
FSE-321208	2200	1200	800	710	2091.2	1097	1950	1050	1.25	2	3	2xA5; 4xB5; 2xC5	2

* internal dimensions: H - 90 mm, W - 90 mm, D - 90 mm

CABLE GLAND PLATE PRO inTEG FREE-STANDING ENCLOSURES



CABLE GLAND PLATE TYPE A

Type	Dimensions WxD (mm)	A	L	M
A1	400x90	90	257	100
A2	600x90	90	457	300
A3	800x90	90	657	500
A4	1000x90	90	857	700
A5	1200x90	90	518	360
A6	600x120	120	457	300
A7	800x120	120	657	500
A8	1000x120	120	857	700
A9	1200x120	120	518	360

CABLE GLAND PLATE TYPE B

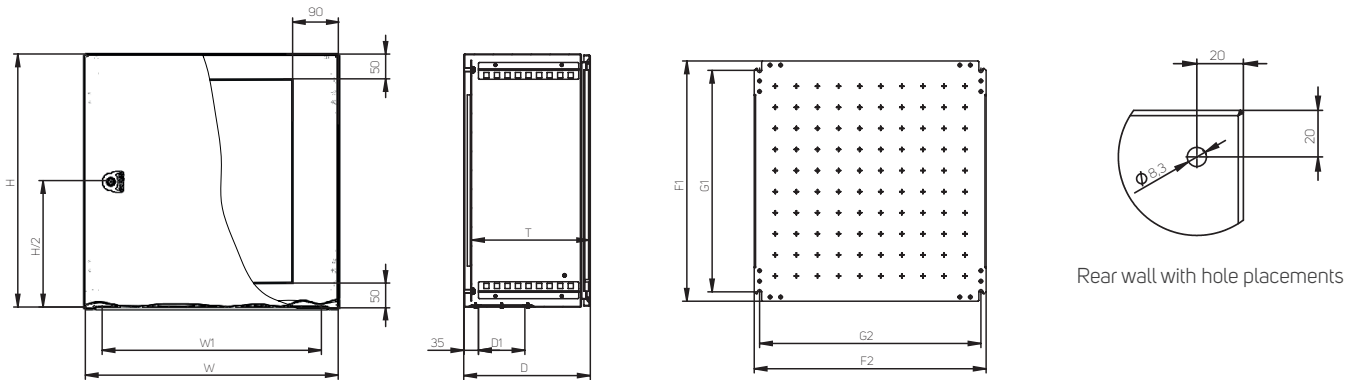
Type	Dimensions WxD (mm)	A	L	M
B1	400x200	200	257	100
B2	600x200	200	457	300
B3	800x200	200	657	500
B4	1000x200	200	857	700
B5	1200x200	200	518	360

CABLE GLAND PLATE TYPE C

Type	Dimensions WxD (mm)	A	L	M
C1	400x235	235	257	100
C2	600x235	235	457	300
C3	800x235	235	657	500
C4	1000x235	235	857	700
C5	1200x235	235	518	360

inTEG WME COMPACT ENCLOSURES

inTEG WME COMPACT ENCLOSURES SHEET STEEL AND GLAZED DOORS, SIMPLE DESIGN WITH ONE ROTARY LOCK

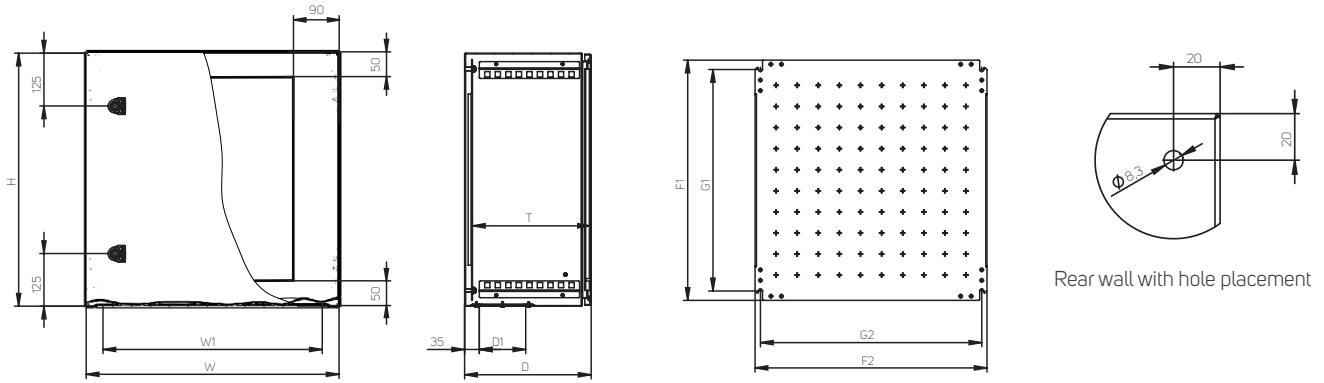


Enclosure Code **	Height (mm)	Width (mm)	Depth (mm)		Mounting plate (mm)				Material thickness (mm)			Cable gland plate		Cable-entry	
	H	W	D	T*	F1	F2	G1	G2	Enclosure	Door	Mounting plate	Size	Quantity	W1	D1
WME-030215	300	200	155	135	270	150	225	125	1.25	1.5	2.0	A	1	120	60
WME-032515	300	250	155	135	270	200	225	175	1.25	1.5	2.0	A	1	120	60
WME-030315	300	300	155	135	270	250	225	225	1.25	1.5	2.0	B	1	220	60
WME-030321	300	300	210	190	270	250	225	225	1.25	1.5	2.0	C	1	220	110
WME-030415	300	400	155	135	270	350	225	325	1.25	1.5	2.0	B	1	220	60
WME-030421	300	400	210	190	270	350	225	325	1.25	1.5	2.0	D	1	320	110
WME-040315	400	300	155	135	370	250	325	225	1.25	1.5	2.0	B	1	220	60
WME-040321	400	300	210	190	370	250	325	225	1.25	1.5	2.0	C	1	220	110
WME-040421	400	400	210	190	370	350	325	325	1.25	1.5	2.5	D	1	320	110
WME-040621	400	600	210	190	370	550	325	525	1.25	1.5	2.5	F	1	520	110
WME-040625	400	600	250	230	370	550	325	525	1.25	1.5	2.5	F	1	520	110
WME-050321	500	300	210	190	470	250	425	325	1.25	1.5	2.0	C	1	220	110
WME-050421	500	400	210	190	470	350	425	325	1.25	1.5	2.5	D	1	320	110
WME-050425	500	400	250	230	470	350	425	325	1.25	1.5	2.5	D	1	320	110
WME-050521	500	500	210	190	470	450	425	425	1.25	1.5	2.5	E	1	420	110
WME-050503	500	500	300	280	470	450	425	425	1.25	1.5	2.5	E	1	420	110
WME-060421	600	400	210	190	570	350	525	325	1.25	1.5	2.5	D	1	320	110
WME-060425	600	400	250	230	570	350	525	325	1.50	2.0	2.5	D	1	320	110
WME-060403	600	400	300	280	570	350	525	325	1.50	2.0	2.5	D	1	320	110
WME-060525	600	500	250	230	570	450	525	425	1.50	2.0	2.5	E	1	420	110
WME-060621	600	600	210	190	570	550	525	525	1.50	2.0	2.5	F	1	520	110
WME-060625	600	600	250	230	570	550	525	525	1.50	2.0	2.5	F	1	520	110
WME-060603	600	600	300	280	570	550	525	525	1.50	2.0	2.5	F	1	520	110
WME-060604	600	600	400	380	570	550	525	525	1.50	2.0	2.5	F	1	520	110
WME-060825	600	800	250	230	570	750	525	725	1.50	2.0	2.5	F	1	520	110
WME-060803	600	800	300	280	570	750	525	725	1.50	2.0	2.5	F	1	520	110

* T dimension specifies the depth between the mounting plate and the inside of the door, the door trim reduces this value by 17 mm and the lock by 31 mm

** Valid also for order code WME-G-xxxxxx

inTEG WME COMPACT ENCLOSURES SHEET STEEL AND WITH GLAZED DOORS, SIMPLE DESIGN WITH TWO ROTARY LOCKS



Rear wall with hole placement

Enclosure Code **	Height (mm)		Width (mm)		Depth (mm)		Mounting plate (mm)				Material thickness (mm)			Cable gland plate		Cable-entry	
	H	W	D	T*	F1	F2	G1	G2	Enclosure	Door sections	Mounting plate	Size	Quantity	W1	D1		
WME-070521	700	500	210	190	670	450	625	425	1.50	2.0	2.5	E	1	420	110		
WME-070503	700	500	300	280	670	450	625	425	1.50	2.0	2.5	E	1	420	110		
WME-080625	800	600	250	230	770	550	725	525	2.0	2.0	3 F	F	1	520	110		
WME-080603	800	600	300	280	770	550	725	525	2.0	2.0	3 F	F	1	520	110		
WME-080604	800	600	400	380	770	550	725	525	2.0	2.0	3 F	F	1	520	110		
WME-080803	800	800	300	280	770	750	725	725	2.0	2.0	3 FF	F	1	520	110		
WME-080804	800	800	400	380	770	750	725	725	2.0	2.0	3 FF	F	1	520	110		

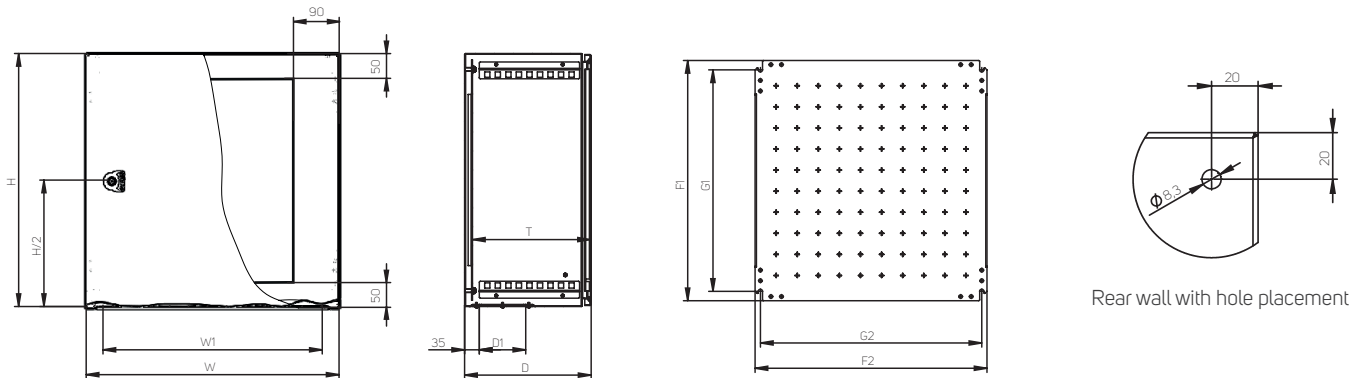
3 F – 3mm mounting plate with 2 bended edges

3 FF – 3mm mounting plate with 4 bended edges

* T Dimension specifies the depth between the mounting plate and the inside of the door, the door trim reduces this value by 17 mm and the lock by 31 mm

** Valid also for order code WME-G-xxxxxx

inTEG WME COMPACT ENCLOSURES SHEET STEEL A WITH GLAZED DOORS, SINGLE-DOOR VERSION WITH 3-POINT LOCK SYSTEM



Rear wall with hole placement

Code **	Height (mm)		Width (mm)		Depth (mm)		Mounting plate (mm)				Material thickness in mm			Cable gland plate		Cable-entry	
	H	W	D	T*	F1	F2	G1	G2	Enclosure	Door	Mounting plate	Size	Quantity	W1	D1		
WME-100625	1000	600	300	280	970	550	925	525	2.0	2.0	3 F	F	1	520	110		
WME-100603	1000	600	300	280	970	550	925	525	2.0	2.0	3 F	F	1	520	110		
WME-100604	1000	600	400	380	970	550	925	525	2.0	2.0	3 F	F	1	520	110		
WME-100803	1000	800	300	280	970	750	925	725	2.0	2.0	3 FF	F	1	520	110		
WME-100804	1000	800	400	380	970	750	925	725	2.0	2.0	3 FF	F	1	520	110		
WME-120603	1200	600	300	280	1170	550	1125	525	2.0	2.0	3 F	F	1	520	110		
WME-120604	1200	600	400	380	1170	550	1125	525	2.0	2.0	3 F	F	1	520	110		
WME-120803	1200	800	300	280	1170	750	1125	725	2.0	2.0	3 FF	F	1	520	110		
WME-120804	1200	800	400	380	1170	750	1125	725	2.0	2.0	3 FF	F	1	520	110		

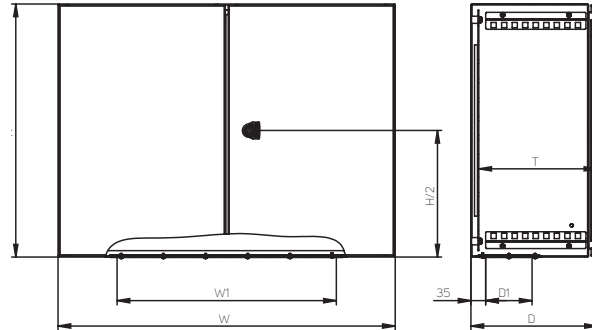
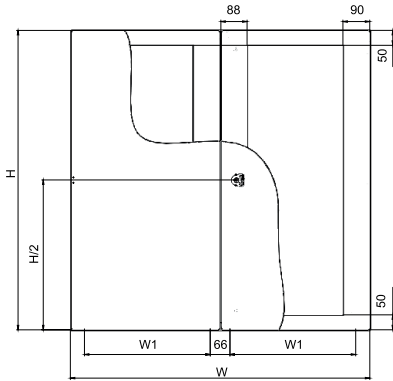
3 F – 3mm mounting plate with 2 bended edges

3 FF – 3mm mounting plate with 4 bended edges

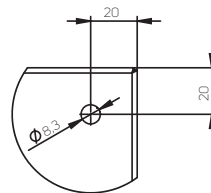
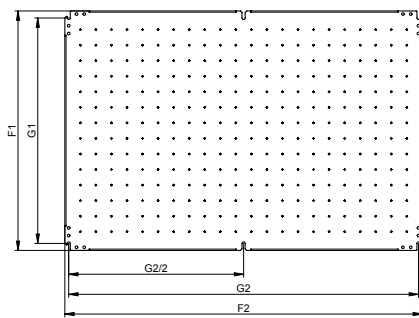
* T Dimension specifies the depth between the mounting plate and the inside of the door, the door trim reduces this value by 17 mm and the lock by 31 mm

** Valid also for order code WME-G-xxxxxx

inTEG WME COMPACT ENCLOSURES SHEET STEEL AND WITH GLAZED DOORS, DOUBLE-DOOR VERSION WITH 3-POINT LOCK SYSTEM



Only for WME-160803 and WME-G-160803 enclosures



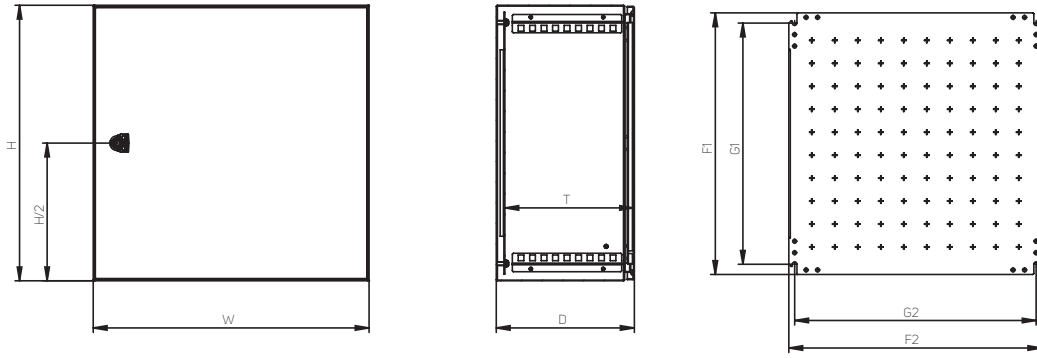
Code **	Height (mm)	Width (mm)	Depth (mm)		Mounting plate (mm)				Material thickness (mm)			Cable gland plate		Cable-entry	
	H	W	D	T*	F1	F2	G1	G2	Enclosure	Door	Mounting plate	Size	Quantity	W1	D1
WME-160803	600	800	300	280	570	750	525	725	1.5	1.5	2.5	F	1	520	110
WME-181003	800	1000	300	280	770	950	725	925	1.5	2.0	3 FF	E	2	420	110
WME-181203	800	1200	300	280	770	1150	725	1125	1.5	2.0	3 FF	F	2	520	110
WME-201003	1000	1000	300	280	970	950	925	925	1.5	2.0	3 FF	E	2	420	110
WME-201004	1000	1000	400	380	970	950	925	925	1.5	2.0	3 FF	E	2	420	110
WME-201203	1000	1200	300	280	970	1150	925	1125	1.5	2.0	3 FF	F	2	520	110
WME-201204	1000	1200	400	380	970	1150	925	1125	1.5	2.0	3 FF	F	2	520	110
WME-221003	1200	1000	300	280	1170	950	1125	925	1.5	2.0	3 FF	E	2	420	110
WME-221004	1200	1000	400	380	1170	950	1125	925	1.5	2.0	3 FF	E	2	420	110
WME-221203	1200	1200	300	280	1170	1150	1125	1125	1.5	2.0	3 FF	F	2	520	110
WME-221204	1200	1200	400	380	1170	1150	1125	1125	1.5	2.0	3 FF	F	2	520	110
WME-241003	1400	1000	300	280	1370	950	1325	925	1.5	2.0	3 FF	E	2	420	110

3 FF – 3mm mounting plate with 4 bended edges

* T Dimension specifies the depth between the mounting plate and the inside of the door, the door trim reduces this value by 17 mm and the lock by 31 mm

** Valid also for order code WME-G-xxxxxx

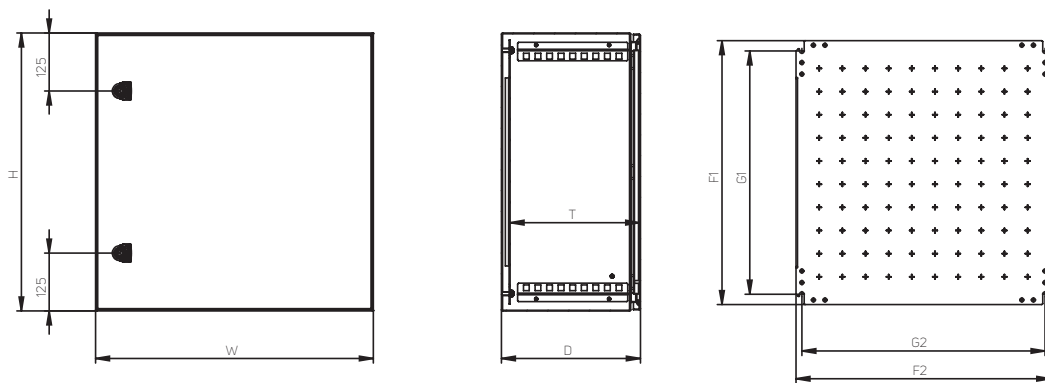
inTEG WME COMPACT ENCLOSURES STAINLESS STEEL, SINGLE-DOOR VERSION WITH ONE ROTARY LOCK



Code	Height (mm)	Width (mm)	Depth (mm)		Mounting plate (mm)				Material thickness (mm)		
	H	W	D	T*	F1	F2	G1	G2	Enclosure	Door	Mounting plate
WME-X-030215	300	200	155	135	270	150	225	125	1.25	1.5	2.0
WME-X-030315	300	300	155	135	270	250	225	225	1.25	1.5	2.0
WME-X-030321	300	300	210	190	270	250	225	225	1.25	1.5	2.0
WME-X-030415	300	400	155	135	270	350	225	325	1.25	1.5	2.0
WME-X-030421	300	400	210	190	270	350	225	325	1.25	1.5	2.0
WME-X-040315	400	300	155	135	370	250	325	225	1.25	1.5	2.0
WME-X-040321	400	300	210	190	370	250	325	225	1.25	1.5	2.0
WME-X-040421	400	400	210	190	370	350	325	325	1.25	1.5	2.5
WME-X-040621	400	600	210	190	370	550	325	525	1.25	1.5	2.5
WME-X-050421	500	400	210	190	470	350	425	325	1.25	1.5	2.5
WME-X-050521	500	500	210	190	470	450	425	425	1.25	1.5	2.5
WME-X-050503	500	500	300	280	470	450	425	425	1.25	1.5	2.5
WME-X-060421	600	400	210	190	570	350	525	325	1.25	1.5	2.5
WME-X-060621	600	600	210	190	570	550	525	525	1.50	2.0	2.5
WME-X-060625	600	600	250	230	570	550	525	525	1.50	2.0	2.5
WME-X-060603	600	600	300	280	570	550	525	525	1.50	2.0	2.5
WME-X-060604	600	600	400	380	570	550	525	525	1.50	2.0	2.5
WME-X-060803	600	800	300	280	570	750	525	725	1.50	2.0	2.5

* T Dimension specifies the depth between the mounting plate and the inside of the door, the door trim reduces this value by 17 mm and the lock by 31 mm

inTEG WME COMPACT ENCLOSURES STAINLESS STEEL, SINGLE-DOOR DESIGN WITH TWO ROTARY LOCKS



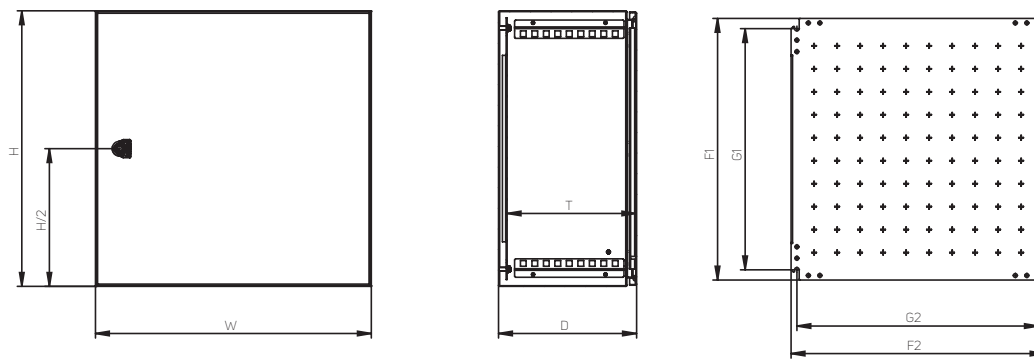
Code	Height (mm)	Width (mm)	Depth (mm)		Mounting plate (mm)				Material thickness (mm)		
	H	W	D	T*	F1	F2	G1	G2	Enclosure	Door	Mounting plate
WME-X-070503	700	500	300	280	670	450	625	425	1.50	2.0	2.5
WME-X-080625	800	600	250	230	770	550	725	525	2.0	2.0	3 F
WME-X-080603	800	600	300	280	770	550	725	525	2.0	2.0	3 F
WME-X-080803	800	800	300	280	770	750	725	725	2.0	2.0	3 FF

3 F – 3mm mounting plate with 2 bended edges

3 FF – 3mm mounting plate with 4 bended edges

* T Dimension specifies the depth between the mounting plate and the inside of the door, the door trim reduces this value by 17 mm and the lock by 31 mm

inTEG WME COMPACT ENCLOSURES STAINLESS STEEL, SINGLE-DOOR VERSION WITH 3-POINT LOCK SYSTEM

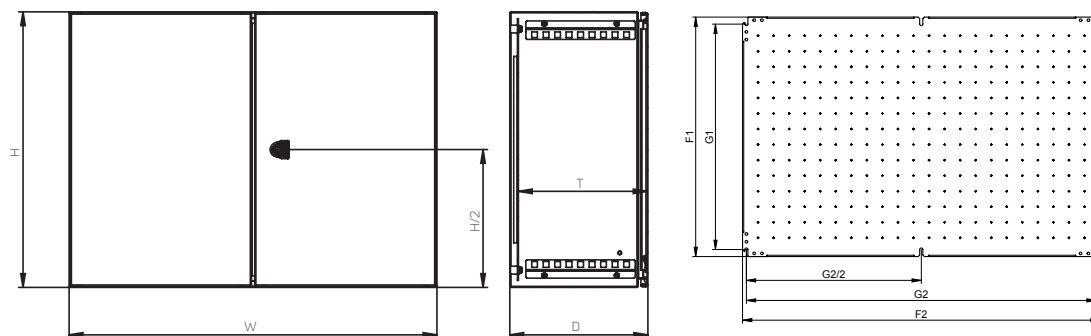


Code	Height (mm)	Width (mm)	Depth (mm)		Mounting plate (mm)				Material thickness (mm)		
	H	W	D	T*	F1	F2	G1	G2	Enclosure	Door	Mounting plate
WME-X-100803	1000	800	300	280	970	750	925	725	2.0	2.0	3 FF
WME-X-120803	1200	800	300	280	1170	750	1125	725	2.0	2.0	3 FF
WME-X-120804	1200	800	400	380	1170	750	1125	725	2.0	2.0	3 FF

3 FF – 3mm mounting plate with 4 bended edges

* T Dimension specifies the depth between the mounting plate and the inside of the door, the door trim reduces this value by 17 mm and the lock by 31 mm

inTEG WME COMPACT ENCLOSURES STAINLESS STEEL, DOUBLE-DOOR VERSION WITH 3-POINT LOCK SYSTEM

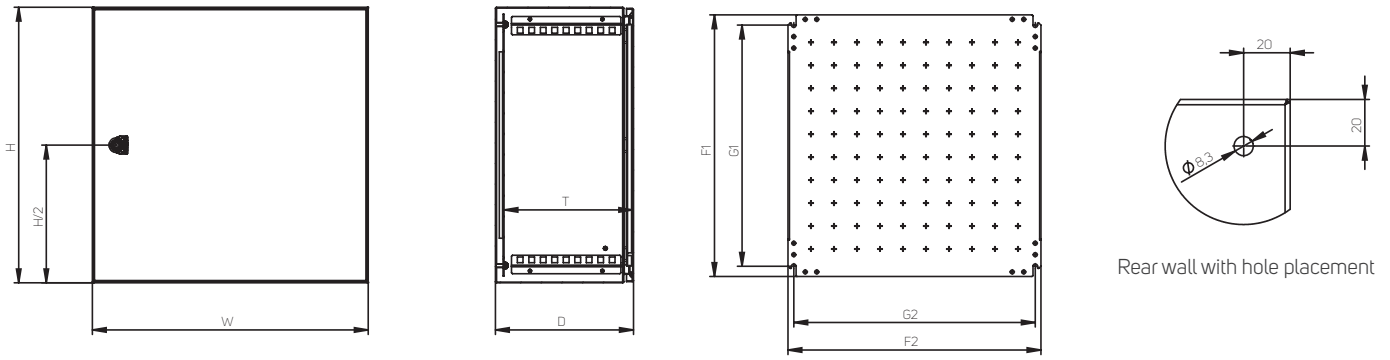


Code	Height (mm)	Width (mm)	Depth (mm)		Mounting plate (mm)				Material thickness (mm)		
	H	W	D	T*	F1	F2	G1	G2	Enclosure	Door	Mounting plate
WME-X-201003	1000	1000	300	280	970	950	925	925	1.5	2.0	3 FF
WME-X-221003	1200	1000	300	280	1170	950	1125	925	1.5	2.0	3 FF

3 FF – 3mm mounting plate with 4 bended edges

* T Dimension specifies the depth between the mounting plate and the inside of the door, the door trim reduces this value by 17 mm and the lock by 31 mm

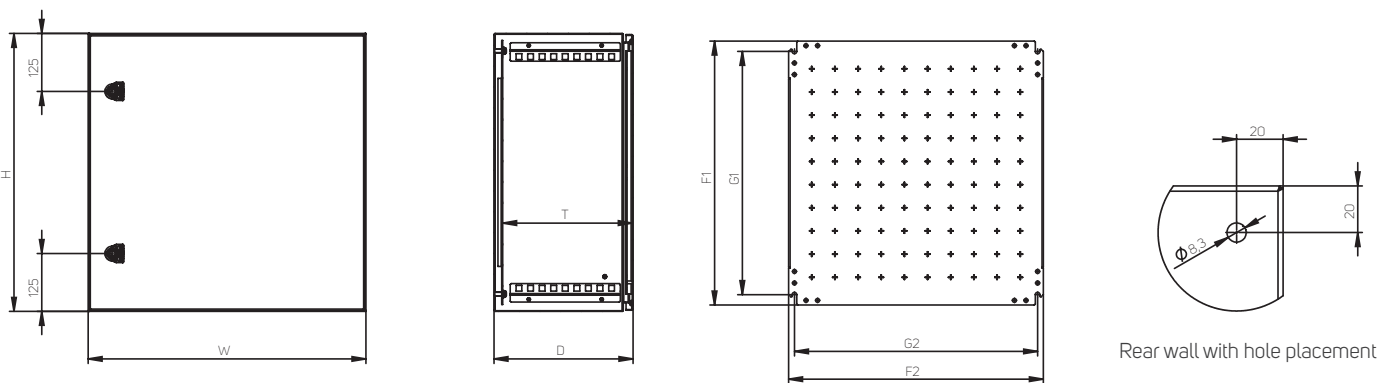
inTEG WME COMPACT ENCLOSURES OUTDOOR VERSION, SINGLE-DOOR VERSION WITH ONE ROTARY LOCK



Code	Height (mm)		Width (mm)		Depth (mm)		Mounting plate (mm)				Material thickness (mm)		
	H	W	D	T*	F1	F2	G1	G2	Enclosure	Door	Mounting plate		
WME-O-030215	300	200	155	135	270	150	225	125	1.25	1.5	2.0		
WME-O-030315	300	300	155	135	270	250	225	225	1.25	1.5	2.0		
WME-O-030321	300	300	210	190	270	250	225	225	1.25	1.5	2.0		
WME-O-030415	300	400	155	135	270	350	225	325	1.25	1.5	2.0		
WME-O-030421	300	400	210	190	270	350	225	325	1.25	1.5	2.0		
WME-O-040315	400	300	155	135	370	250	325	225	1.25	1.5	2.0		
WME-O-040321	400	300	210	190	370	250	325	225	1.25	1.5	2.0		
WME-O-040421	400	400	210	190	370	350	325	325	1.25	1.5	2.5		
WME-O-040621	400	600	210	190	370	550	325	525	1.25	1.5	2.5		
WME-O-050421	500	400	210	190	470	350	425	325	1.25	1.5	2.5		
WME-O-050521	500	500	210	190	470	450	425	425	1.25	1.5	2.5		
WME-O-050503	500	500	300	280	470	450	425	425	1.25	1.5	2.5		
WME-O-060421	600	400	210	190	570	350	525	325	1.25	1.5	2.5		
WME-O-060403	600	400	300	280	570	350	525	325	1.50	2.0	2.5		
WME-O-060621	600	600	210	190	570	550	525	525	1.50	2.0	2.5		
WME-O-060603	600	600	300	280	570	550	525	525	1.50	2.0	2.5		
WME-O-060604	600	600	400	380	570	550	525	525	1.50	2.0	2.5		
WME-O-060803	600	800	300	280	570	750	525	725	1.50	2.0	2.5		

* T Dimension specifies the depth between the mounting plate and the inside of the door, the door trim reduces this value by 17 mm and the Lock by 31 mm

inTEG WME COMPACT ENCLOSURES OUTDOOR VERSION, SINGLE-DOOR VERSION WITH TWO ROTARY LOCKS



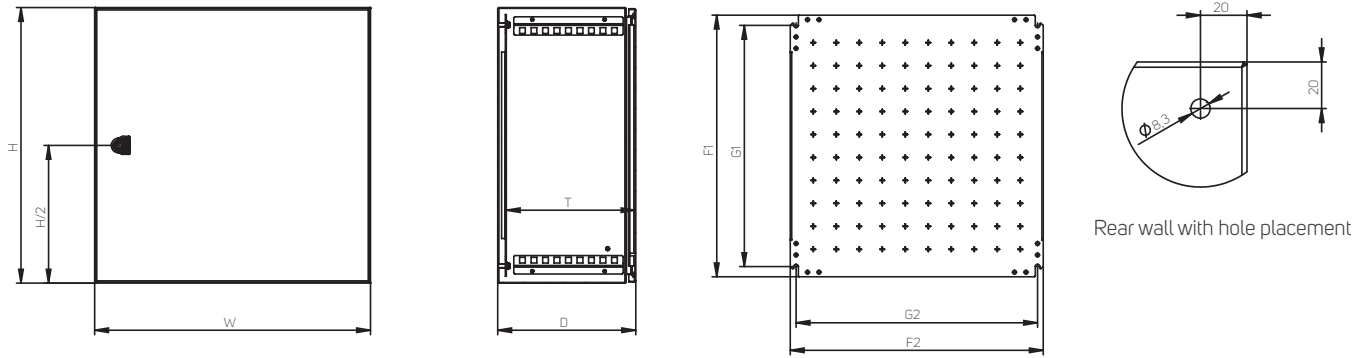
Code	Height (mm)		Width (mm)		Depth (mm)		Mounting plate (mm)				Material thickness (mm)		
	H	W	D	T*	F1	F2	G1	G2	Enclosure	Door	Mounting plate		
WME-O-070503	700	500	210	190	670	450	625	425	1.50	2.0	2.5		
WME-O-080625	800	600	250	230	770	550	725	525	2.0	2.0	3 F		
WME-O-080603	800	600	300	280	770	550	725	525	2.0	2.0	3 F		
WME-O-080604	800	600	400	380	770	550	725	525	2.0	2.0	3 F		
WME-O-080803	800	800	300	280	770	750	725	725	2.0	2.0	3 FF		

3 F – 3mm mounting plate with 2 bended edges

3 FF – 3mm mounting plate with 4 bended edges

* T Dimension specifies the depth between the mounting plate and the inside of the door, the door trim reduces this value by 17 mm and the Lock by 31 mm

inTEG WME COMPACT ENCLOSURES OUTDOOR VERSION, SINGLE-DOOR VERSION WITH 3-POINT LOCK SYSTEM



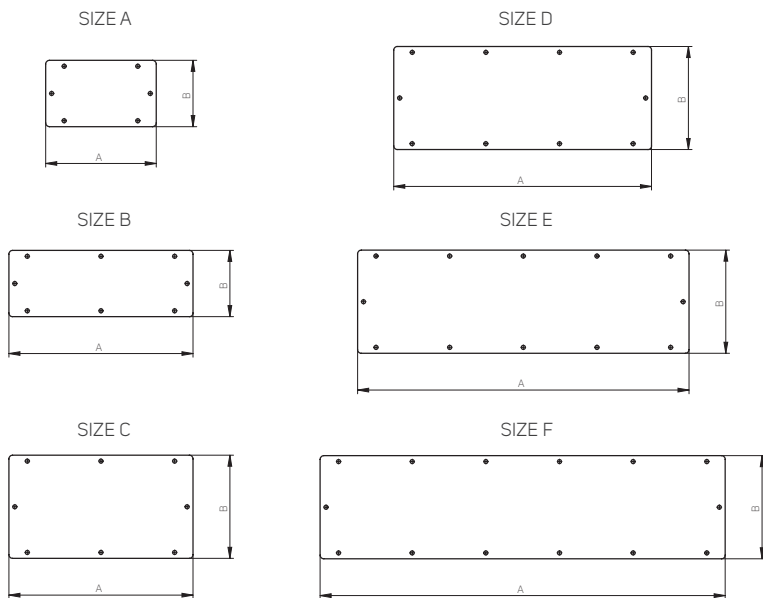
Code	Height (mm)		Width (mm)		Depth (mm)				Mounting plate (mm)				Material thickness (mm)		
	H	W	D	T*	F1	F2	G1	G2	Enclosure	Door	Mounting plate				
WME-O-100603	1000	600	300	280	970	550	925	525	2.0	2.0	3 F				
WME-O-100604	1000	600	400	380	970	550	925	525	2.0	2.0	3 F				
WME-O-100804	1000	800	400	380	970	750	925	725	2.0	2.0	3 FF				
WME-O-120603	1200	600	300	280	1170	550	1125	525	2.0	2.0	3 F				
WME-O-120804	1200	800	400	380	1170	750	1125	725	2.0	2.0	3 FF				

3 F – 3mm mounting plate with 2 bended edges

3 FF – 3mm mounting plate with 4 bended edges

* T Dimension specifies the depth between the mounting plate and the inside of the door, the door trim reduces this value by 17 mm and the Lock by 31 mm

FULL METAL GLAND PLATE FOR inTEG COMPACT ENCLOSURES – SHEET STEEL



Size	Width (mm)		Depth (mm)	
	A	B	A	B
A	150	90		
B	250	90		
C	250	140		
D	350	140		
E	450	140		
F	550	140		

HEATING DISSIPATION

inTEG FSE FREE STANDING ENCLOSURES – MEASURED WITH HEAT INSIDE ENCLOSURE $\Delta T = 15 K$

Code	Enclosure dimensions (mm)			Thickness of the material (mm)		Quantity	Total area of enclosure (m ²)	Total heating dissipation (W)
	Height	Width	Depth	Body	Door			
FSE-180405	1800	400	500	1.5	2,00	1	2,920	149.5
FSE-180406	1800	400	600	1.5	2.00	1	4,080	197.4
FSE-180604	1800	600	400	1.5	2,00	1	4,080	211.8
FSE-180605	1800	600	500	1.5	2.00	1	4,560	231.6
FSE-180606	1800	600	600	1.5	2.00	1	5,040	251.5
FSE-180804	1800	800	400	1.5	2.00	1	4,960	262.6
FSE-180805	1800	800	500	1.5	2.00	1	5,480	284.1
FSE-280805	1800	800	500	1.5	2.00	2	5,480	284.1
FSE-180806	1800	800	600	1.5	2.00	1	6,000	305.6
FSE-280806	1800	800	600	1.5	2.00	2	6,000	305.6
FSE-181004	1800	1000	400	1.5	2.00	1	5,840	313.4
FSE-281004	1800	1000	400	1.5	2.00	2	5,840	313.4
FSE-181005	1800	1000	500	1.5	2.00	1	6,400	336.5
FSE-181006	1800	1000	600	1.5	2.00	1	6,960	359.7
FSE-281204	1800	1200	400	1.5	2.00	2	6,720	364.2
FSE-281205	1800	1200	500	1.5	2.00	2	7,320	389.0
FSE-281206	1800	1200	600	1.5	2.00	2	7,920	413.8
FSE-200405	2000	400	500	1.5	2.00	1	4,000	197.3
FSE-200406	2000	400	600	1.5	2.00	1	4,480	217.1
FSE-200604	2000	600	400	1.5	2.00	1	4,480	233.2
FSE-200605	2000	600	500	1.5	2.00	1	5,000	254.6
FSE-200606	2000	600	600	1.5	2.00	1	5,520	276.1
FSE-200608	2000	600	800	1.5	2.00	1	6,560	319.0
FSE-200804	2000	800	400	1.5	2.00	1	5,440	288.9
FSE-200805	2000	800	500	1.5	2.00	1	6,000	312.0
FSE-200806	2000	800	600	1.5	2.00	1	6,560	335.1
FSE-200808	2000	800	800	1.5	2.00	1	7,680	381.3
FSE-201004	2000	1000	400	1.5	2.00	1	6,400	344.6
FSE-301004	2000	1000	400	1.5	2.00	2	6,400	344.6
FSE-201005	2000	1000	500	1.5	2.00	1	7,000	369.3
FSE-301005	2000	1000	500	1.5	2.00	2	7,000	369.3
FSE-201006	2000	1000	600	1.5	2.00	1	7,600	394.1
FSE-301006	2000	1000	600	1.5	2.00	2	7,600	394.1
FSE-201008	2000	1000	800	1.5	2.00	1	8,800	443.7
FSE-301204	2000	1200	400	1.5	2.00	2	7,360	400.3
FSE-301205	2000	1200	500	1.5	2.00	2	8,000	426.7
FSE-301206	2000	1200	600	1.5	2.00	2	8,640	453.1
FSE-301208	2000	1200	800	1.5	2.00	2	9,920	506.0
FSE-220406	2200	400	600	1.5	2.00	1	4,880	236.8
FSE-220606	2200	600	600	1.5	2.00	1	6,000	300.7
FSE-220608	2200	600	800	1.5	2.00	1	7,120	347.0
FSE-220806	2200	800	600	1.5	2.00	1	7,120	364.7
FSE-220808	2200	800	800	1.5	2.00	1	8,320	414.2
FSE-221006	2200	1000	600	1.5	2.00	1	8,240	428.6
FSE-321206	2200	1200	600	1.5	2.00	2	9,360	492.5
FSE-321208	2200	1200	800	1.5	2.00	2	10,720	548.6

inTEG WME COMPACT ENCLOSURES SHEET STEEL – MEASURED WITH HEAT INSIDE ENCLOSURE $\Delta T = 15 K$

Code	Rack dimensions (mm)			Thickness of the material (mm)		Quantity	Total area of the enclosure (m ²)	Total power dissipation (W)
	Height	Width	Depth	Body	Door			
WME-030215	300	200	155	1.25	1.50	1	0.215	11.5
WME-032515	300	250	155	1.25	1.50	1	0.321	16.5
WME-030315	300	300	155	1.25	1.50	1	0.366	19.0
WME-030321	300	300	210	1.25	1.50	1	0.432	21.8
WME-030415	300	400	155	1.25	1.50	1	0.457	24.1
WME-030421	300	400	210	1.25	1.50	1	0.534	27.3
WME-040315	400	300	155	1.25	1.50	1	0.457	24.1
WME-040321	400	300	210	1.25	1.50	1	0.534	27.3
WME-040421	400	400	210	1.25	1.50	1	0.656	34.1
WME-040621	400	600	210	1.25	1.50	1	0.900	47.6
WME-040625	400	600	250	1.25	1.50	1	0.980	50.9
WME-050321	500	300	210	1.25	1.50	1	0.636	32.8
WME-050421	500	400	210	1.25	1.50	1	0.778	40.8
WME-050425	500	400	250	1.25	1.50	1	0.850	43.8
WME-050521	500	500	210	1.25	1.50	1	0.920	48.8
WME-050503	500	500	300	1.25	1.50	1	1,100	56.4
WME-060421	600	400	210	1.25	1.50	1	0.900	47.6
WME-060425	600	400	250	1.50	1.50	1	0.980	50.4
WME-060403	600	400	300	1.50	1.50	1	1,080	54.5
WME-060525	600	500	250	1.50	1.50	1	1,150	59.9
WME-060621	600	600	210	1.50	1.50	1	1,224	65.4
WME-060625	600	600	250	1.50	1.50	1	1,320	69.4
WME-060603	600	600	300	1.50	1.50	1	1,440	74.3
WME-060604	600	600	400	1.50	1.50	1	1,680	84.2
WME-060825	600	800	250	1.50	1.50	1	1,660	88.3
WME-060803	600	800	300	1.50	1.50	1	1,800	94.1
WME-070521	700	500	210	1.50	1.50	1	1,204	64.2
WME-070503	700	500	300	1.50	1.50	1	1,420	73.1
WME-080625	800	600	250	1.50	2.00	1	1,660	87.8
WME-080603	800	600	300	1.50	2.00	1	1,800	93.6
WME-080604	800	600	400	1.50	2.00	1	2,080	105.2
WME-080803	800	800	300	1.50	2.00	1	2,240	118.2
WME-080804	800	800	400	1.50	2.00	1	2,560	131.4
WME-100625	1000	600	250	1.50	2.00	1	2,000	106.7
WME-100603	1000	600	300	1.50	2.00	1	2,160	113.3
WME-100604	1000	600	400	1.50	2.00	1	2,480	126.5
WME-100803	1000	800	300	1.50	2.00	1	2,680	142.8
WME-100804	1000	800	400	1.50	2.00	1	3,040	157.6
WME-120603	1200	600	300	1.50	2.00	1	2,520	133.0
WME-120604	1200	600	400	1.50	2.00	1	2,880	147.8
WME-120803	1200	800	300	1.50	2.00	1	3,120	167.4
WME-120804	1200	800	400	1.50	2.00	1	3,520	183.9
WME-160803	600	800	300	1.50	1.50	2	1,800	94.1
WME-181003	800	1000	300	1.50	2.00	2	2,680	142.8
WME-181203	800	1200	300	1.50	2.00	2	3,120	167.4
WME-201003	1000	1000	300	1.50	2.00	2	3,200	172.3
WME-201004	1000	1000	400	1.50	2.00	2	3,600	188.8
WME-201203	1000	1200	300	1.50	2.00	2	3,720	201.8
WME-201204	1000	1200	400	1.50	2.00	2	4,160	220.0
WME-221003	1200	1000	300	1.50	2.00	2	3,720	201.8
WME-221004	1200	1000	400	1.50	2.00	2	4,160	220.0
WME-221203	1200	1200	300	1.50	2.00	2	4,320	236.2
WME-221204	1200	1200	400	1.50	2.00	2	4,800	256.0
WME-241003	1400	1000	300	1.50	2.00	2	4,240	231.3

inTEG WME COMPACT ENCLOSURES WITH GLAZED DOORS – MEASURED WITH HEAT INSIDE ENCLOSURE $\Delta T = 15 K$

Code	Rack dimensions (mm)			Thickness of the material (mm)		Quantity	Total area of the enclosure (m ²)	Total power dissipation (W)
	Height	Width	Depth	Body	Doors (glass)			
WME-G-032515	300	250	155	1.25	4.00	1	0.321	13.6
WME-G-030315	300	300	155	1.25	4.00	1	0.366	15.6
WME-G-030321	300	300	210	1.25	4.00	1	0.432	18.3
WME-G-030415	300	400	155	1.25	4.00	1	0.457	19.5
WME-G-030421	300	400	210	1.25	4.00	1	0.534	22.7
WME-G-040315	400	300	155	1.25	4.00	1	0.457	19.5
WME-G-040321	400	300	210	1.25	4.00	1	0.534	22.7
WME-G-040421	400	400	210	1.25	4.00	1	0.656	27.9
WME-G-040621	400	600	210	1.25	4.00	1	0.900	38.3
WME-G-040625	400	600	250	1.25	4.00	1	0.980	41.7
WME-G-050321	500	300	210	1.25	4.00	1	0.636	27.0
WME-G-050421	500	400	210	1.25	4.00	1	0.778	33.1
WME-G-050425	500	400	250	1.25	4.00	1	0.850	36.1
WME-G-050521	500	500	210	1.25	4.00	1	0.920	39.2
WME-G-050503	500	500	300	1.25	4.00	1	1,100	46.7
WME-G-060421	600	400	210	1.25	4.00	1	0,900	38.3
WME-G-060425	600	400	250	1.50	4.00	1	0,980	41.1
WME-G-060403	600	400	300	1.50	4.00	1	1,080	45.2
WME-G-060525	600	500	250	1.50	4.00	1	1,150	48.3
WME-G-060621	600	600	210	1.50	4.00	1	1,224	51.5
WME-G-060625	600	600	250	1.50	4.00	1	1,320	55.5
WME-G-060603	600	600	300	1.50	4.00	1	1,440	60.4
WME-G-060604	600	600	400	1.50	4.00	1	1,680	70.3
WME-G-060825	600	800	250	1.50	4.00	1	1,660	69.8
WME-G-060803	600	800	300	1.50	4.00	1	1,800	75.6
WME-G-070521	700	500	210	1.50	4.00	1	1,204	50.6
WME-G-070503	700	500	300	1.50	4.00	1	1,420	59.6
WME-G-080625	800	600	250	1.50	4.00	1	1,660	69.8
WME-G-080603	800	600	300	1.50	4.00	1	1,800	75.6
WME-G-080604	800	600	400	1.50	4.00	1	2,080	87.2
WME-G-080803	800	800	300	1.50	4.00	1	2,240	94.2
WME-G-080804	800	800	400	1.50	4.00	1	2,560	107.4
WME-G-100625	1000	600	250	1.50	4.00	1	2,000	84.2
WME-G-100603	1000	600	300	1.50	4.00	1	2,160	90.8
WME-G-100604	1000	600	400	1.50	4.00	1	2,480	104.0
WME-G-100803	1000	800	300	1.50	4.00	1	2,680	112.8
WME-G-100804	1000	800	400	1.50	4.00	1	3,040	127.6
WME-G-120603	1200	600	300	1.50	4.00	1	2,520	106.0
WME-G-120604	1200	600	400	1.50	4.00	1	2,880	120.8
WME-G-120803	1200	800	300	1.50	4.00	1	3,120	131.4
WME-G-120804	1200	800	400	1.50	4.00	1	3,520	147.9
WME-G-160803	600	800	300	1.50	4.00	2	1,800	75.6
WME-G-181003	800	1000	300	1.50	4.00	2	2,680	112.8
WME-G-181203	800	1200	300	1.50	4.00	2	3,120	131.4
WME-G-201003	1000	1000	300	1.50	4.00	2	3,200	134.8
WME-G-201004	1000	1000	400	1.50	4.00	2	3,600	151.3
WME-G-201203	1000	1200	300	1.50	4.00	2	3,720	156.8
WME-G-201204	1000	1200	400	1.50	4.00	2	4,160	175.0
WME-G-221003	1200	1000	300	1.50	4.00	2	3,720	156.8
WME-G-221004	1200	1000	400	1.50	4.00	2	4,160	175.0
WME-G-221203	1200	1200	300	1.50	4.00	2	4,320	182.2
WME-G-221204	1200	1200	400	1.50	4.00	2	4,800	202.0
WME-G-241003	1400	1000	300	1.50	4.00	2	4,240	178.8

inTEG WME COMPACT ENCLOSURES STAINLESS STEEL – MEASURED WITH HEAT INSIDE ENCLOSURE $\Delta T = 15 K$

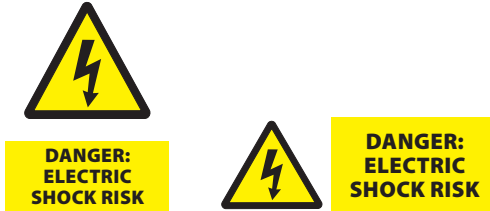
Code	Rack dimensions (mm)			Thickness of the material (mm)		Quantity	Total area of the enclosure (m ²)	Total power dissipation (W)
	Height	Width	Depth	Body	Door			
WME-X-030215	300	200	155	1.25	1.50	1	0,275	13.7
WME-X-030315	300	300	155	1.25	1.50	1	0,366	18.7
WME-X-030321	300	300	210	1.25	1.50	1	0,432	21.4
WME-X-030415	300	400	155	1.25	1.50	1	0,457	23.7
WME-X-030421	300	400	210	1.25	1.50	1	0,534	26.8
WME-X-040315	400	300	155	1.25	1.50	1	0,457	23.7
WME-X-040321	400	300	210	1.25	1.50	1	0,534	26.8
WME-X-040421	400	400	210	1.25	1.50	1	0,656	33.5
WME-X-040621	400	600	210	1.25	1.50	1	0,900	46.7
WME-X-050421	500	400	210	1.25	1.50	1	0,778	40.1
WME-X-050521	500	500	210	1.25	1.50	1	0,920	48.0
WME-X-050503	500	500	300	1.25	1.50	1	1,100	55.4
WME-X-060421	600	400	210	1.25	1.50	1	0,900	46.7
WME-X-060621	600	600	210	1.50	1.50	1	1,224	64.1
WME-X-060625	600	600	250	1.50	1.50	1	1,320	68.0
WME-X-060603	600	600	300	1.50	1.50	1	1,440	72.8
WME-X-060604	600	600	400	1.50	1.50	1	1,680	82.4
WME-X-060803	600	800	300	1.50	1.50	1	1,800	92.2
WME-X-070503	700	500	300	1.50	1.50	1	1,420	71.6
WME-X-080625	800	600	250	1.50	2.00	1	1,660	85.9
WME-X-080603	800	600	300	1.50	2.00	1	1,800	91.6
WME-X-080803	800	800	300	1.50	2.00	1	2,240	115.7
WME-X-100803	1000	800	300	1.50	2.00	1	2,680	139.7
WME-X-120803	1200	800	300	1.50	2.00	1	3,120	163.8
WME-X-120804	1200	800	400	1.50	2.00	1	3,520	179.9
WME-X-201003	1000	1000	300	1.50	2.00	1	3,200	168.6
WME-X-221003	1200	1000	300	1.50	2.00	1	3,720	197.4

inTEG WME COMPACT ENCLOSURES OUTDOOR VERSION – MEASURED WITH HEAT INSIDE ENCLOSURE $\Delta T = 15 K$

Code	Rack dimensions (mm)			Thickness of the material (mm)		Quantity	Total area of the enclosure (m ²)	Total power dissipation (W)
	Height	Width	Depth	Body	Door			
WME-O-030215	300	200	155	1.25	1.50	1	0,275	14.0
WME-O-030315	300	300	155	1.25	1.50	1	0,366	19.0
WME-O-030321	300	300	210	1.25	1.50	1	0,432	21.8
WME-O-030415	300	400	155	1.25	1.50	1	0,457	24.1
WME-O-030421	300	400	210	1.25	1.50	1	0,534	27.3
WME-O-040315	400	300	155	1.25	1.50	1	0,457	24.1
WME-O-040321	400	300	210	1.25	1.50	1	0,534	27.3
WME-O-040421	400	400	210	1.25	1.50	1	0,656	34.1
WME-O-040621	400	600	210	1.25	1.50	1	0,900	47.6
WME-O-050421	500	400	210	1.25	1.50	1	0,778	40.8
WME-O-050521	500	500	210	1.25	1.50	1	0,920	48.8
WME-O-050503	500	500	300	1.25	1.50	1	1,100	56.4
WME-O-060421	600	400	210	1.25	1.50	1	0,900	47.6
WME-O-060403	600	400	300	1.50	1.50	1	1,080	54.5
WME-O-060621	600	600	210	1.50	1.50	1	1,224	65.4
WME-O-060603	600	600	300	1.50	1.50	1	1,440	74.3
WME-O-060604	600	600	400	1.50	1.50	1	1,680	84.2
WME-O-060803	600	800	300	1.50	1.50	1	1,800	94.1
WME-O-070503	700	500	300	1.50	1.50	1	1,420	73.1
WME-O-080625	800	600	250	1.50	2.00	1	1,660	87.8
WME-O-080603	800	600	300	1.50	2.00	1	1,800	93.6
WME-O-080604	800	600	400	1.50	2.00	1	2,080	105.2
WME-O-080803	800	800	300	1.50	2.00	1	2,240	118.2
WME-O-100603	1000	600	300	1.50	2.00	1	2,160	113.3
WME-O-100604	1000	600	400	1.50	2.00	1	2,480	126.5
WME-O-100804	1000	800	400	1.50	2.00	1	3,040	157.6
WME-O-120603	1200	600	300	1.50	2.00	1	2,520	133.0
WME-O-120804	1200	800	400	1.50	2.00	1	3,520	183.9

SAFETY WARNING SIGNS

DANGER: ELECTRIC SHOCK RISK



- Material: Oracal 640 self-adhesive foil, easily attachable to smooth surfaces
- Print: UV LED technology

Code	Dimensions (mm)		Package
	H	W	
ID-OS-H1007	105	74	1 set
ID-OS-H0705	74	52	1 set
ID-OS-H0309	30	90	1 set

1 set = 5 pcs

DO NOT EXTINGUISH WITH WATER OR FOAM



- Material: Oracal 640 self-adhesive foil, easily attachable to smooth surfaces
- Print: UV LED technology

Code	Dimensions (mm)		Package
	H	W	
ID-OS-F1007	105	74	1 set
ID-OS-F0705	74	52	1 set
ID-OS-F0309	30	90	1 set

1 set = 5 pcs

SWITCH OFF IN CASE OF EMERGENCY

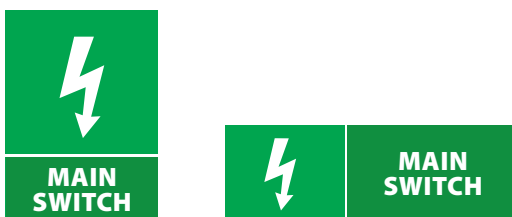


- Material: Oracal 640 self-adhesive foil, easily attachable to smooth surfaces
- Print: UV LED technology

Code	Dimensions (mm)		Package
	H	W	
ID-OS-G1007	105	74	1 set
ID-OS-G0705	74	52	1 set
ID-OS-G0309	30	90	1 set

1 set = 5 pcs

MAIN SWITCH



- Material: Oracal 640 self-adhesive foil, easily attachable to smooth surfaces
- Print: UV LED technology

Code	Dimensions (mm)		Package
	H	W	
ID-OS-E1007	105	74	1 set
ID-OS-E0705	74	52	1 set
ID-OS-E0309	30	90	1 set

1 set = 5 pcs

MULTIPLE MESSAGES – DANGER ELECTRIC SHOCK RISK; DO NOT EXTINGUISH WITH WATER OR FOAM



**DANGER:
ELECTRIC
SHOCK RISK**



**DO NOT
EXTINGUISH WITH
WATER OR FOAM**

- Material: Oracal 640 self-adhesive foil, easily attachable to smooth surfaces
- Print: UV LED technology

Code	Dimensions (mm)		Package
	H	W	
ID-OS-B0710	74	105	1 set

1 set = 5 pcs

MULTIPLE MESSAGES – MAIN SWITCH, SWITCH OFF IN CASE OF EMERGENCY



**MAIN
SWITCH**



**SWITCH OFF
IN CASE
OF EMERGENCY**

- Material: Oracal 640 self-adhesive foil, easily attachable to smooth surfaces
- Print: UV LED technology

Code	Dimensions (mm)		Package
	H	W	
ID-OS-C0710	74	105	1 set

1 set = 5 pieces

MULTIPLE MESSAGES (4)



**DANGER:
ELECTRIC
SHOCK RISK**



**DO NOT
EXTINGUISH WITH
WATER OR FOAM**



**MAIN
SWITCH**



**SWITCH OFF
IN CASE
OF EMERGENCY**

- Material: Oracal 640 self-adhesive foil, easily attachable to smooth surfaces
- Print: UV LED technology

Code	Dimensions (mm)		Package
	H	W	
ID-OS-D1410	148	105	1 set
ID-OS-D1007	105	74	1 set

1 set = 5 pieces

DANGER



- Material: Oracal 640 self-adhesive foil, easily attachable to smooth surfaces
- Print: UV LED technology

Code	Dimensions (mm)		Package
	H	W	
ID-OS-A0809	80	90	1 set
ID-OS-A0606	60	67.5	1 set

1 set = 5 pieces



Labelling enclosures, your logo and other sticker dimensions available on request.

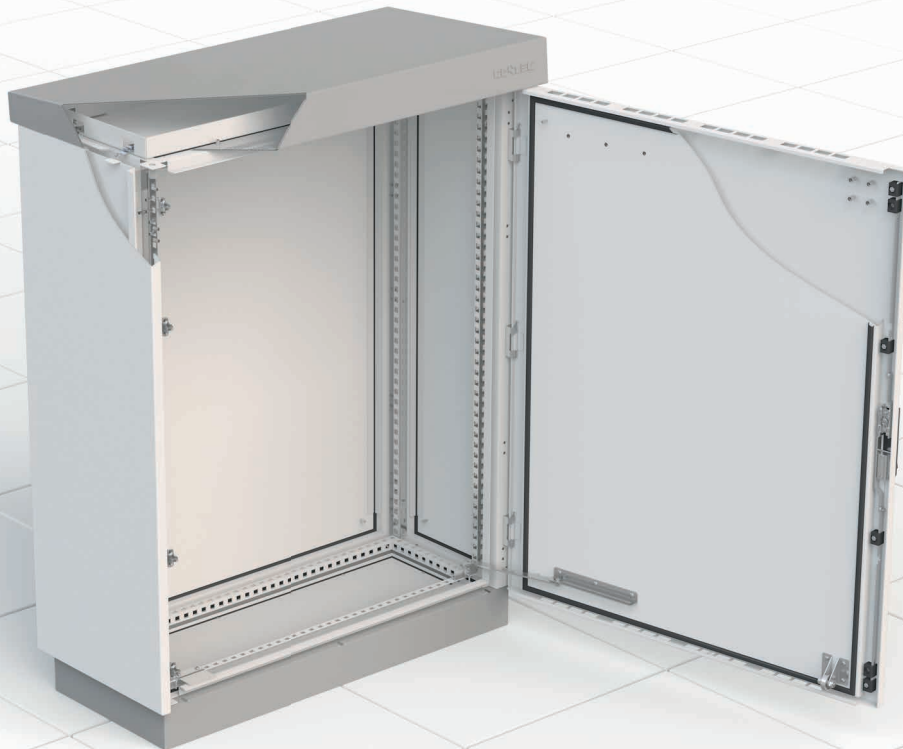
Index

CODE:	PAGE:	CODE:	PAGE:	CODE:	PAGE:	CODE:	PAGE:
FSE-181004	10, 56, 65	ID-F-H12	14	ID-F-RC12	15	ID-W-CE3	46
FSE-181005	10, 56, 65	ID-F-H18	14	ID-F-RC10	15	ID-W-CE4/3	46
FSE-181006	10, 56, 65	ID-F-H10	14	ID-F-RC4	15	ID-W-CE4/4	46
FSE-180405	9, 56, 65	ID-F-H22	14	ID-F-RC6	15	ID-W-CE4/4,5	46
FSE-180406	9, 56, 65	ID-F-H20	14	ID-F-RC8	15	ID-W-CE4	46
FSE-180604	9, 56, 65	ID-F-H4	14	ID-F-RCU12	15	ID-W-CE4/5	46
FSE-180605	9, 56, 65	ID-F-H5	14	ID-F-RCU10	15	ID-W-CE4/5,5	46
FSE-180606	9, 56, 65	ID-F-H6	14	ID-F-RCU4	15	ID-W-CE4/6	46
FSE-180804	9, 56, 65	ID-F-H8	14	ID-F-RCU6	15	ID-W-CE5	46
FSE-180805	9, 56, 65	ID-F-HH12	14	ID-F-RCU8	15	ID-W-CE6	46
FSE-180806	9, 56, 65	ID-F-HH10	14	ID-F-REB	13	ID-W-CE7	46
FSE-221006	12, 57, 65	ID-F-HH4	14	ID-F-ROW	9-13	ID-W-CE8	46
FSE-220406	12, 57, 65	ID-F-HH5	14	ID-F-S1804	9-10, 13	ID-W-CE9	46
FSE-220606	12, 57, 65	ID-F-HH6	14	ID-F-S1805	9-10, 13	ID-W-CEP	46
FSE-220608	12, 57, 65	ID-F-HH8	14	ID-F-S1806	9-10, 13	ID-W-CG01A	45
FSE-220806	12, 57, 65	ID-F-INLK1	20	ID-F-S2206	12-13	ID-W-CG01B	45
FSE-220808	12, 57, 65	ID-F-INLK3	20	ID-F-S2208	12-13	ID-W-CG01C	45
FSE-281204	10, 56, 65	ID-F-INLKE1	20	ID-F-S2004	10-11, 13	ID-W-CG01D	45
FSE-281205	10, 56, 65	ID-F-INS7	20	ID-F-S2005	10-11, 13	ID-W-CG01E	45
FSE-281206	10, 56, 65	ID-F-INS8	20	ID-F-S2006	10-11, 13	ID-W-CG01F	45
FSE-281004	10, 56, 65	ID-F-INSS	20	ID-F-S2008	10-11, 13	ID-W-CG02B	46
FSE-280805	9, 56, 65	ID-F-INSSA	20	ID-F-SBP	19	ID-W-CG02C	46
FSE-280806	10, 56, 65	ID-F-INT7	20	ID-F-SP1812	18	ID-W-CG02D	46
FSE-201004	11, 56, 65	ID-F-INT8	20	ID-F-SP1810	18	ID-W-CG02E	46
FSE-201005	11, 56, 65	ID-F-KIT55	18	ID-F-SP1804	18	ID-W-CG02F	46
FSE-201006	11, 56, 65	ID-F-L14SKR-CZ	21	ID-F-SP1806	18	ID-W-CG03B	45
FSE-201008	11, 56, 65	ID-F-L14SKR-SCH	21	ID-F-SP1808	18	ID-W-CG03C	45
FSE-200405	10, 56, 65	ID-F-L18SKR-CZ	21	ID-F-SP2212	18	ID-W-CG03D	45
FSE-200406	10, 56, 65	ID-F-L18SKR-SCH	21	ID-F-SP2210	18	ID-W-CG03E	45
FSE-200604	10, 56, 65	ID-F-L	21	ID-F-SP2206	18	ID-W-CG03F	45
FSE-200605	10, 56, 65	ID-F-LAB-14	21	ID-F-SP2208	18	ID-W-CG04B	46
FSE-200606	10, 56, 65	ID-F-LAB-18	21	ID-F-SP2012	18	ID-W-CG04C	46
FSE-200608	10, 56, 65	ID-F-LAC166STG	21	ID-F-SP2010	18	ID-W-CG04D	46
FSE-200804	10, 56, 65	ID-F-LBP	19	ID-F-SP2006	18	ID-W-CG04E	46
FSE-200805	11, 56, 65	ID-F-LL30	21	ID-F-SP2008	18	ID-W-CG04F	46
FSE-200806	11, 56, 65	ID-F-LN30	21	ID-F-UB06	16	ID-W-CG05B	46
FSE-200808	11, 56, 65	ID-F-LV-12	21	ID-F-UB08	16	ID-W-CG05C	46
FSE-321206	12, 57, 65	ID-F-LV-06	21	ID-F-V186	16	ID-W-CG05D	46
FSE-321208	12, 57, 65	ID-F-MMP18	13	ID-F-V188	16	ID-W-CG05E	46
FSE-301204	11, 57, 65	ID-F-MMP22	13	ID-F-V226	16	ID-W-CG05F	46
FSE-301205	11, 57, 65	ID-F-MMP20	13	ID-F-V228	16	ID-W-CNM6	21
FSE-301206	11, 57, 65	ID-F-MP12	17	ID-F-V206	16	ID-W-DC	42
FSE-301208	11, 57, 65	ID-F-MP10	17	ID-F-V208	16	ID-W-DS	42
FSE-301004	11, 56, 65	ID-F-MP102	17	ID-F-VD10	14	ID-W-EK	45
FSE-301005	11, 56, 65	ID-F-MP04	17	ID-F-VD4	14	ID-W-EW68	45
FSE-301006	11, 56, 65	ID-F-MP06	17	ID-F-VD5	14	ID-W-EW8816	45
ID-EO-DD	43	ID-F-MP08	17	ID-F-VD6	14	ID-W-EW88	45
ID-EO-PC	44	ID-F-NH12	14	ID-F-VD8	14	ID-W-H12	29-30, 33, 37-38
ID-F-AKI	13	ID-F-NH18	14	ID-OS-A0606	70	ID-W-H14	30, 38
ID-F-CDD10	18	ID-F-NH10	14	ID-OS-A0809	70	ID-W-H10	28-29, 33, 37-38
ID-F-CDD102	18	ID-F-NH22	14	ID-OS-B0710	70	ID-W-H4	26, 38
ID-F-CDD4	18	ID-F-NH20	14	ID-OS-C0710	70	ID-W-H5	26, 32, 35, 38
ID-F-CDD6	18	ID-F-NH4	14	ID-OS-D1410	70	ID-W-H6	27, 29, 32, 36, 38
ID-F-CDD8	18	ID-F-NH5	14	ID-OS-D1007	70	ID-W-H7	28, 33, 36, 38
ID-F-CG112	17	ID-F-NH6	14	ID-OS-E1007	69	ID-W-H8	28-29, 33, 36, 38
ID-F-CG110	17	ID-F-NH8	14	ID-OS-E0309	69	ID-W-ID126	29, 37, 39
ID-F-CG104	17	ID-F-PF12	10-13	ID-OS-E0705	69	ID-W-ID128	29, 33, 37, 39
ID-F-CG106	17	ID-F-PF1202	10-13	ID-OS-F1007	69	ID-W-ID106	28, 37, 39
ID-F-CG108	17	ID-F-PF10	10-13	ID-OS-F0309	69	ID-W-ID108	28, 33, 37, 39
ID-F-CG212	17	ID-F-PF1002	10-13	ID-OS-F0705	69	ID-W-ID54	26, 39
ID-F-CG210	17	ID-F-PF04	9-10, 12-13	ID-OS-G1007	69	ID-W-ID55	26, 32, 35, 39
ID-F-CG204	17	ID-F-PF0402	10, 12-13	ID-OS-G0309	69	ID-W-ID64	27, 36, 39
ID-F-CG206	17	ID-F-PF06	9-10, 12-13	ID-OS-G0705	69	ID-W-ID65	27, 39
ID-F-CG208	17	ID-F-PF0602	10, 12-13	ID-OS-H1007	69	ID-W-ID66	27, 32, 36, 39
ID-F-CK	21	ID-F-PF08	9-13	ID-OS-H0309	69	ID-W-ID75	28, 33, 36, 39
ID-F-DC	17	ID-F-PF0802	10-13	ID-OS-H0705	69	ID-W-ID86	28, 33, 36, 39
ID-F-DS	17	ID-F-PMP1204	20	ID-PO-A4	17, 43	ID-W-ID88	28, 33, 36, 39
ID-F-DW1804	19	ID-F-PMP1004	20	ID-W-AMB	39	ID-W-IND3	40
ID-F-DW1805	19	ID-F-PMP0604	20	ID-W-CE11	46	ID-W-INLK1	40
ID-F-DW1806	19	ID-F-PMP0605	20	ID-W-CE12	46	ID-W-INLK2	40
ID-F-DW2206	19	ID-F-PMP0804	20	ID-W-CE13	46	ID-W-INLK3	40
ID-F-DW2208	19	ID-F-PMP0806	20	ID-W-CE14	46	ID-W-INLK	40
ID-F-DW2004	19	ID-F-PS04	9-11, 13	ID-W-CE10	46	ID-W-INLKE1	40
ID-F-DW2005	19	ID-F-PS0402	10-11, 13	ID-W-CE2/3	46	ID-W-INS6	40
ID-F-DW2006	19	ID-F-PS05	9-11, 13	ID-W-CE2/4	46	ID-W-INS7	40
ID-F-DW2008	19	ID-F-PS0502	10-11, 13	ID-W-CE2/5	46	ID-W-INS8	40
ID-F-EK1	20	ID-F-PS06	9-13	ID-W-CE2/5,5	46	ID-W-INSS	40
ID-F-EK2	20	ID-F-PS0602	10-13	ID-W-CE2/6	46	ID-W-INT7	40
ID-F-EK3	20	ID-F-PS08	10-13	ID-W-CE2/6,5	46	ID-W-INT8	40
ID-F-EK4	20	ID-F-PS0802	10-13	ID-W-CE2/7	46	ID-W-INT9	40

CODE:	PAGE:	CODE:	PAGE:	CODE:	PAGE:	CODE:	PAGE:
ID-W-L	43	ID-W-TD106	40	WME-G-100603	28, 67	WME-050321	26, 58, 66
ID-W-MP2	34, 42	ID-W-TD108	40	WME-G-100604	28, 67	WME-050421	26, 58, 66
ID-W-MP25	42	ID-W-TD43	40	WME-G-100803	28, 67	WME-050425	26, 58, 66
ID-W-MP3	34-35, 42	ID-W-TD44	40	WME-G-100804	28, 67	WME-050521	26, 58, 66
ID-W-MP4	34-36, 42	ID-W-TD54	40	WME-G-221203	30, 67	WME-050503	26, 58, 66
ID-W-MP5	35-36, 42	ID-W-TD55	40	WME-G-221204	30, 67	WME-060421	27, 58, 66
ID-W-MP6	35-37, 42	ID-W-TD64	40	WME-G-221003	30, 67	WME-060425	27, 58, 66
ID-W-PF120	29-30, 41	ID-W-TD65	40	WME-G-221004	30, 67	WME-060403	27, 58, 66
ID-W-PF120G	41	ID-W-TD66	40	WME-G-241003	30, 67	WME-060525	27, 58, 66
ID-W-PF100	29-30, 41	ID-W-TD75	40	WME-G-201203	29, 67	WME-060621	27, 58, 66
ID-W-PF100G	41	ID-W-TD86	40	WME-G-201204	29, 67	WME-060625	27, 58, 66
ID-W-PF60	27-29, 41	ID-W-TD88	40	WME-G-201003	29, 67	WME-060603	27, 58, 66
ID-W-PF60G	41	ID-W-U12	27, 29, 32, 36, 38	WME-G-201004	29, 67	WME-060604	27, 58, 66
ID-W-PF80	27-29, 41	ID-W-U17	28, 33, 36, 38	WME-G-032515	25, 67	WME-060825	27, 58, 66
ID-W-PF80G	41	ID-W-U21	28, 33, 37-38	WME-G-030315	25, 67	WME-060803	27, 58, 66
ID-W-PS30	27-30, 41	ID-W-U25	29, 33, 37-38	WME-G-030321	25, 67	WME-070521	28, 59, 66
ID-W-PS30G	41	ID-W-U8	26, 38	WME-G-030415	25, 67	WME-070503	28, 59, 66
ID-W-PS40	27-30, 41	ID-W-UB	27-30, 32-33, 35-38	WME-G-030421	25, 67	WME-080625	28, 59, 66
ID-W-PS40G	41	ID-W-VD3	26, 38	WME-G-040315	26, 67	WME-080603	28, 59, 66
ID-W-R2015	34, 41	ID-W-VD4	26-27, 32, 35-36, 38	WME-G-040321	26, 67	WME-080604	28, 59, 66
ID-W-R3015	34-35, 41	ID-W-VD5	26-28, 32-33, 35-36, 38	WME-G-040421	26, 67	WME-080803	28, 59, 66
ID-W-R3020	34-35, 41	ID-W-VD6	27-29, 32-33, 36-38	WME-G-040621	26, 67	WME-080804	28, 59, 66
ID-W-R4015	34, 41	ID-W-VD8	27-29, 32-33, 36-38	WME-G-040625	26, 67	WME-X-120803	33, 62, 68
ID-W-R4020	34-36, 41	ID-W-WB	40	WME-G-050321	26, 67	WME-X-120804	33, 62, 68
ID-W-R4030	36, 41	ID-W-WBZN	40	WME-G-050421	26, 67	WME-X-100803	33, 62, 68
ID-W-R5020	35, 41	ORO-M12N	44	WME-G-050425	26, 67	WME-X-221003	33, 62, 68
ID-W-R5030	35-36, 41	ORO-M16N	44	WME-G-050521	26, 67	WME-X-201003	33, 62, 68
ID-W-R6025	36, 41	ORO-M25N	44	WME-G-050503	26, 67	WME-X-030215	31, 61, 68
ID-W-R6020	35-36, 41	ORO-M20N	44	WME-G-060421	27, 67	WME-X-030315	31, 61, 68
ID-W-R6030	36-37, 41	ORO-M32N	44	WME-G-060425	27, 67	WME-X-030321	31, 61, 68
ID-W-R6040	36-37, 41	ORO-PG11N	44	WME-G-060403	27, 67	WME-X-030415	31, 61, 68
ID-W-R8030	36, 41	ORO-PG13N	44	WME-G-060525	27, 67	WME-X-030421	31, 61, 68
ID-W-R8040	37, 41	ORO-PG16N	44	WME-G-060621	27, 67	WME-X-040315	32, 61, 68
ID-W-ROW4030	45	ORO-PG21N	44	WME-G-060625	27, 67	WME-X-040321	32, 61, 68
ID-W-ROW4040	45	ORO-PG29N	44	WME-G-060603	27, 67	WME-X-040421	32, 61, 68
ID-W-ROW6025	45	ORO-PG36N	44	WME-G-060604	27, 67	WME-X-040621	32, 61, 68
ID-W-ROW6030	45	ORO-PG42N	44	WME-G-060825	27, 67	WME-X-050421	32, 61, 68
ID-W-ROW6040	45	ORO-PG48N	44	WME-G-060803	27, 67	WME-X-050521	32, 61, 68
ID-W-ROW7025	45	ORO-PG7N	44	WME-G-070521	28, 67	WME-X-050503	32, 61, 68
ID-W-ROW7030	45	ORO-PG9N	44	WME-G-070503	28, 67	WME-X-060421	32, 61, 68
ID-W-ROW7040	45	ORO-ZM12N	44	WME-G-080625	28, 67	WME-X-060621	32, 61, 68
ID-W-SMS6x16	21	ORO-ZM16N	44	WME-G-080603	28, 67	WME-X-060625	32, 61, 68
ID-W-SP1212	39	ORO-ZM25N	44	WME-G-080604	28, 67	WME-X-060603	32, 61, 68
ID-W-SP1210	39	ORO-ZM20N	44	WME-G-080803	28, 67	WME-X-060604	32, 61, 68
ID-W-SP1260	39	ORO-ZM32N	44	WME-G-080804	28, 67	WME-X-060803	32, 61, 68
ID-W-SP1280	39	ORO-ZPG11N	44	WME-O-120603	37, 64, 68	WME-X-070503	33, 61, 68
ID-W-SP1410	39	ORO-ZPG13N	44	WME-O-120804	37, 64, 68	WME-X-080625	33, 61, 68
ID-W-SP1012	39	ORO-ZPG16N	44	WME-O-100603	37, 64, 68	WME-X-080603	33, 61, 68
ID-W-SP1010	39	ORO-ZPG21N	44	WME-O-100604	37, 64, 68	WME-X-080803	33, 61, 68
ID-W-SP1060	39	ORO-ZPG29N	44	WME-O-100804	37, 64, 68		
ID-W-SP1080	39	ORO-ZPG36N	44	WME-O-030215	34, 63, 68		
ID-W-SP3025	39	ORO-ZPG42N	44	WME-O-030315	34, 63, 68		
ID-W-SP3020	39	ORO-ZPG48N	44	WME-O-030321	34, 63, 68		
ID-W-SP3030	39	ORO-ZPG7N	44	WME-O-030415	34, 63, 68		
ID-W-SP3040	39	ORO-ZPG9N	44	WME-O-030421	34, 63, 68		
ID-W-SP4030	39	WME-120603	29, 59, 66	WME-O-040315	35, 63, 68		
ID-W-SP4040	39	WME-120604	29, 59, 66	WME-O-040321	35, 63, 68		
ID-W-SP4060	39	WME-120803	29, 59, 66	WME-O-040421	35, 63, 68		
ID-W-SP5030	39	WME-120804	29, 59, 66	WME-O-040621	35, 63, 68		
ID-W-SP5040	39	WME-160803	29, 60, 66	WME-O-050421	35, 63, 68		
ID-W-SP5050	39	WME-181203	29, 60, 66	WME-O-050521	35, 63, 68		
ID-W-SP6040	39	WME-181003	29, 60, 66	WME-O-050503	35, 63, 68		
ID-W-SP6050	39	WME-100625	28, 59, 66	WME-O-060421	36, 63, 68		
ID-W-SP6060	39	WME-100603	28, 59, 66	WME-O-060403	36, 63, 68		
ID-W-SP6080	39	WME-100604	28, 59, 66	WME-O-060621	36, 63, 68		
ID-W-SP7050	39	WME-100803	28, 59, 66	WME-O-060603	36, 63, 68		
ID-W-SP8012	39	WME-100804	28, 59, 66	WME-O-060604	36, 63, 68		
ID-W-SP8010	39	WME-221203	30, 60, 66	WME-O-060803	36, 63, 68		
ID-W-SP8060	39	WME-221204	30, 60, 66	WME-O-070503	36, 63, 68		
ID-W-SP8080	39	WME-221003	30, 60, 66	WME-O-080625	36, 63, 68		
ID-W-SPF120	41	WME-221004	30, 60, 66	WME-O-080603	36, 63, 68		
ID-W-SPF120G	41	WME-241003	30, 60, 66	WME-O-080604	36, 63, 68		
ID-W-SPF100	33, 41	WME-201203	29, 60, 66	WME-O-080803	36, 63, 68		
ID-W-SPF100G	41	WME-201204	29, 60, 66	WME-032515	25, 58, 66		
ID-W-SPF60	32-33, 36-37, 41	WME-201003	29, 60, 66	WME-030215	25, 58, 66		
ID-W-SPF60G	41	WME-201004	29, 60, 66	WME-030315	25, 58, 66		
ID-W-SPF80	32-33, 36-37, 41	WME-G-120603	29, 67	WME-030321	25, 58, 66		
ID-W-SPF80G	41	WME-G-120604	29, 67	WME-030415	25, 58, 66		
ID-W-SPS30	32-33, 36-37, 41	WME-G-120803	29, 67	WME-030421	25, 58, 66		
ID-W-SPS30G	41	WME-G-120804	29, 67	WME-040315	26, 58, 66		
ID-W-SPS40	33, 36-37, 41	WME-G-160803	29, 67	WME-040321	26, 58, 66		
ID-W-SPS40G	41	WME-G-181203	29, 67	WME-040421	26, 58, 66		
ID-W-TD126	40	WME-G-181003	29, 67	WME-040621	26, 58, 66		
ID-W-TD128	40	WME-G-100625	28, 67	WME-040625	26, 58, 66		

outTEG outdoor enclosures

Don't make any compromises! Take advantage outTEG outdoor enclosures range. Thanks to its compact design, practical design solution and air conditioning system, outTEG meets the high standards customers are used to for use in extreme outdoor conditions.



For more information, contact our sales or technical team at www.conteg.com/contacts or use our online configurator at www.conteg.com/configurators



www.conteg.com

CONTEG, spol. s r.o.

Headquarters:

Na Vítězné pláni 1719/4
140 00 Prague 4
Czech republic
Tel.: +420 261 219 182
integ@conteg.cz
www.conteg.com

Production plant:

K Silu 2179
393 01 Pelhřimov
Czech republic
Tel.: +420 565 300 356

Local Branches/Offices:

Austria / Germany / Switzerland:	+420 261 219 182
Benelux:	+31 76 5420 709
Southeastern Europe:	+49 172 8484 346
Finland:	+358 50 414 1257
France / Italy / Maghreb:	+33 1 60 04 55 90
Middle East / Saudi Arabia:	+966 54 000 2341
Russia/CIS:	+7 495 967 3840

Although this brochure was prepared, compiled and checked with the utmost care, CONTEG, spol. s r.o. can not assume any responsibility for any inaccuracies or omissions in this publication. As a result of constant development and progress, CONTEG, spol. s r.o. also reserves the right to change the details and technical specifications of the products listed in this brochure. Such changes or press errors can not give rise to any claim for compensation.

Your supplier