



Fusion Series carts and stands are loaded with time-saving features for easy display installation. Tool-free adjustment options quickly deliver precise screen placement for single screen and multi-display solutions. Customize your installation with a full line of supporting accessories.

**ARE YOU A CHIEF CERTIFIED PARTNER?**

Register at [milestone.com/certification](https://milestone.com/certification)

[milestone.com](https://milestone.com)

# SINGLE DISPLAY CARTS AND STANDS

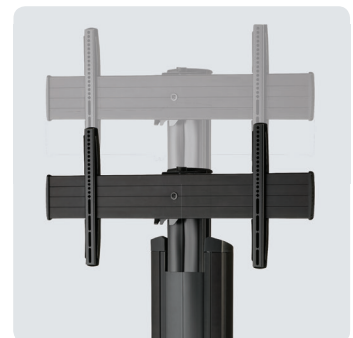
Chief's Fusion® Series single-display carts and stands provide users a great looking portable AV solution packed with time-saving features.

## FEATURES

- Sleek design aesthetics to provide a professional look that fits into any environment
- Turn knob allows a single user to raise and lower the screen by hand or power drill
- Flexible cable covers allow access at any point along the column while concealing cables for a clean installation (XPAU covers can be removed completely)
- +5/-5 degrees of tilt and effortless display adjustment
- Tool-free latching flags allow for additional padlock security
- Carts include smooth rolling and lockable castors for easy positioning
- XPAU includes internal storage for rack mountable and non-rack mountable components, and hardware to vertically mount 2RUs of AV gear  
*Inside dimension HxWxD*  
*38.0 x 18.4 x 4.3" (96.5 x 46.7 x 10.9 cm)*
- Black or silver finish



Tool-Free Latching Flags



Easy Height Adjustment

**MPAU**

Medium Flat Panel Cart

**LFAU**

Large Flat Panel Floor Stand

**XPAU**

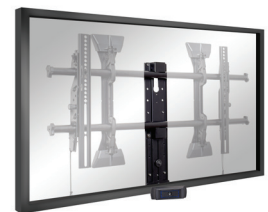
XL Flat Panel Cart

## FUSION® CART & STAND SOLUTIONS

Model	Recommended Screen Size	Tilt	Height Adjustment*	Maximum Mounting Patterns (WxH)	Weight Capacity
XPAU	55 - 100" +	NA	48 - 65" (1.2 - 1.7 m)	800 x 400 mm	300 lbs (136 kg)
LPAU	40 - 80"	±5°	50 - 70" (1.2 - 1.8 m)	800 x 400 mm	200 lbs (90.7 kg)
MPAU	30 - 55"	±5°	50 - 70" (1.2 - 1.8 m)	600 x 400 mm	125 lbs (56.7 kg)
LFAU	40 - 80"	±5°	44.5 - 64.5" (1.1 - 1.6 m)	800 x 400 mm	200 lbs (90.7 kg)
MFAU	30 - 55"	±5°	44.5 - 64.5" (1.1 - 1.6 m)	600 x 400 mm	125 lbs (56.7 kg)

\* Distance from floor to center of display

## FUSION ACCESSORIES FOR SINGLE DISPLAY CARTS & STANDS ONLY

**FCA612**

Large Accessory Shelf

**FCA650/FCA651**

CPU Holders

**FCA623**

Dual Monitor Accessory

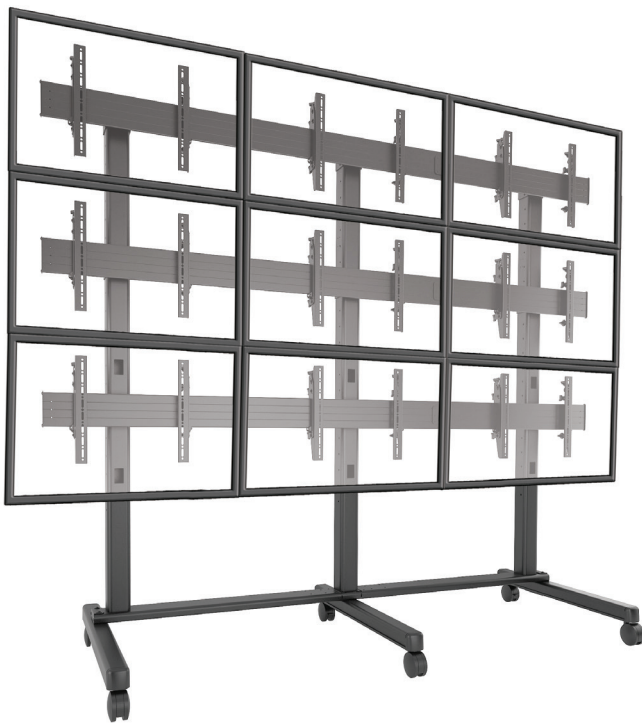
**FCA800V/FCA810V**

ViewShare Video Conferencing Kits\*

\* Additional kit options available on [milestone.com](http://milestone.com).

# FREESTANDING VIDEO WALLS

Chief's Fusion® Series freestanding video walls provide a fresh solution for showcasing displays anywhere you want them. The LVM mounts make it possible to construct video walls in prominent locations for temporary situations. LBM mounts are bolt-down solutions for permanent video wall installations. Combine multiple mounts to achieve video walls up to three displays high and any length.



## LVM3x3U

Freestanding 3x3 Video Wall Cart

## FEATURES

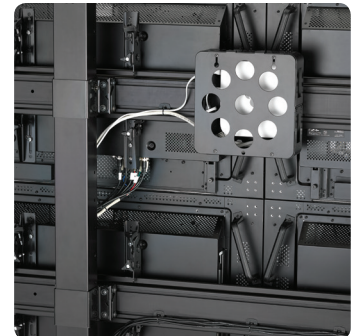
- Independent micro adjustments for height and plumb to easily align displays without tools
- Infinite vertical and lateral adjustments allow for tight display rows and columns
- Integrated cable management for a clean installation
- Landscape and portrait available in most configurations
- Black finish
- Carts include smooth rolling and lockable castors for easy positioning



Independent Tool-Free  
Micro-Adjustment



Tool-Free Latching Flags



Complete Line of Storage  
and Power Accessories



**LVM3x1UP** (portrait)  
Freestanding 3x1 Video Wall Cart

**XBM1UP** (portrait)  
XL Bolt-Down Stand

**LBM3x2U**  
Bolt-Down 3x2 Video Wall Stand

## FUSION® FREESTANDING VIDEO WALLS

Model	Recommended Screen Size*	Orientation	Base	Weight Capacity (per screen)	Center of Display*
XBM1U	42 - 80"	Landscape	Bolt-down	250 lbs (113.4 kg)	16.4" (416 mm) - 82.4" (2092 mm)
XBM1UP	42 - 80"	Portrait	Bolt-down	250 lbs (113.4 kg)	16.4" (416 mm) - 82.4" (2092 mm)
LBM1x2U	42 - 80"	Landscape	Bolt-down	125 lbs (56.7 kg)	16.4" (416 mm) - 64.4" (1636 mm)
LBM1x2UP	42 - 80"	Portrait	Bolt-down	125 lbs (56.7 kg)	16.4" (416 mm) - 82.4" (2092 mm)
LVM2x2U	42 - 50"	Landscape	Cart	125 lbs (56.7 kg)	24" (609 mm) - 72" (1829 mm)
LVM2x2UP	42 - 50"	Portrait	Cart	100 lbs (45.4 kg)	24.47" (622 mm) - 90.5" (2297 mm)
LBM2x2U	42 - 50"	Landscape	Bolt-down	125 lbs (56.7 kg)	17.4" (441 mm) - 82.4" (2092 mm)
LBM2x2UP	42 - 50"	Portrait	Bolt-down	100 lbs (45.4 kg)	17.4" (441 mm) - 82.4" (2092 mm)
LVM3x1UP	42 - 46"	Portrait	Cart	125 lbs (56.7 kg)	24.47" (622 mm) - 72.5" (1841 mm)
LBM3x1UP	42 - 46"	Portrait	Bolt-down	125 lbs (56.7 kg)	17.4" (441 mm) - 64.4" (1635 mm)
LBM1x3U	42 - 65"	Landscape	Bolt-down	125 lbs (56.7 kg)	16.4" (416 mm) - 82.4" (2092 mm)
LVM3x2U	42 - 46"	Landscape	Cart	125 lbs (56.7 kg)	24" (609 mm) - 72" (1829 mm)
LVM3x2UP	42 - 46"	Portrait	Cart	100 lbs (45.4 kg)	17.4" (441 mm) - 82.4" (2092 mm)
LBM3x2U	42 - 46"	Landscape	Bolt-down	125 lbs (56.7 kg)	16.4" (416 mm) - 64.4" (1635 mm)
LBM3x2UP	42 - 46"	Portrait	Bolt-down	100 lbs (45.4 kg)	17.4" (441 mm) - 82.4" (2092 mm)
LVM3x3U	42 - 46"	Landscape	Cart	100 lbs (45.4 kg)	24" (609 mm) - 90" (2286 mm)
LBM3x3U	42 - 46"	Landscape	Bolt-down	100 lbs (45.4 kg)	16.4" (416 mm) - 82.4" (2092 mm)

\* Accomodate larger screen sizes by adding FCAX Extension Bracket Accessories

\* Minimum bottom row - Maximum top row

# EXTRA LARGE VIDEO CONFERENCING CART

The Fusion® Extra-Large Video Conferencing Cart helps integrators meet expanding demands for mobile video conferencing solutions.

## FEATURES

- A turn knob allows a single user to easily adjust the screen height
- Pre-installed front and rear rack rails in 11RU lengths support rack mountable equipment
- Vents at the bottom and up through the column provide passive thermal management airflow
- Removable side, rear and front panels for easy component access and cable management
- Includes 14" (356 mm) wide above or below component shelf (FCA501) and lockable front casters
- Ships fully assembled
- Can be customized for dual display applications with the dual monitor accessory (FCA623B)



**XVAU**  
XL Video Conference Cart

## FUSION VIDEO CONFERENCING CART

Model	Recommended Screen Size	Tilt	Maximum Mounting Patterns (WxH)	Weight Capacity (per screen)	Center of Display to Floor Range
XVAU	37 - 70"	±2.5°	800 x 400 mm	250 lbs (113 kg)	42" (1064 mm) - 50.4" (1280 mm)



# EXTRA LARGE VIDEO WALLS

Chief also offers the Fusion Extra Large Single Screen Cart, which provides a mobile solution for screens between 90" and 105" and up to 500 lbs (226.8 kg).



## XVM1x1U

Extra Large Single Screen Cart

## FEATURES

- Universal bracket design to match multiple displays
- Smooth rolling casters for effortless positioning (1 locking caster per leg)
- Available leveling feet (FCA776) for more permanent installations\*



*\* Also compatible with single and multi-display Fusion freestanding carts.*



# ACCESSORIES

All of the Fusion cart and stand solutions can be customized with a host of available accessories - many of which work across the entire Fusion product line: freestanding, ceiling and wall mounts. Customize projects to meet your needs with shelves, speaker adapters, CPU holders, storage, power management and more. Save on inventory space by stocking one accessory that works with multiple products.

## FUSION ACCESSORIES FOR ALL CARTS AND STANDS



**FCA820/821\***  
Center Camera Shelves



**FCA800/801\***  
Above/Below Shelves  
For Large Displays



**FCA810/811\***  
Above/Below Shelves  
For XL Displays



**FCA510/FCA515\***  
Small and Medium Storage  
Accessories for PC



**FCA802/812**  
Component Shelves for  
Large and XL Displays



**FCA520\***  
Universal  
Clamp Kit



**FCACLIPS\***  
Quick Tie Cable  
Clips (10 pk)



**FCA830/840\***  
Center Channel  
Speaker Adapters



**FCA831/841\***  
Side Speaker Adapters

## FUSION ACCESSORIES FOR FREESTANDING VIDEO WALLS ONLY



**FCA2x1U/FCA3x1U**  
Video Wall Adapter



**FCAX\***  
Video Wall  
Extension Brackets



**FCABX18/FCABX36**  
LBM Video Wall  
Height Extension†

\*Also works with ceiling mounted video wall solutions \*Works across Fusion fixed and tilt wall, freestanding and ceiling mounts

†Designed for use with LBM bolt-down video walls only. Please see [milestone.com](http://milestone.com) for specific compatibility information.

NOTE: FCA776 Leveling Feet for carts also available. See previous page.



A BRAND OF MILESTONE AV TECHNOLOGIES | [www.milestone.com](http://www.milestone.com)

USA P 866.977.3901 E [chief@chiefmfg.com](mailto:chief@chiefmfg.com)  
 CANADA P 877.345.4329 E [canadainfo@milestone.com](mailto:canadainfo@milestone.com)  
 EMEA P +31 495 580 840 E [emea.sales@milestone.com](mailto:emea.sales@milestone.com)  
 APAC P +852 2145 4099 E [asia.chief@milestone.com](mailto:asia.chief@milestone.com)

In British Columbia, Milestone AV Technologies ULC carries on business as MAVT Milestone AV Technologies ULC.  
 ©2015 Milestone AV Technologies. 130023H 10/15 Chief is a registered trademark of Milestone AV Technologies. All other brand names or marks are used for identification purposes and are trademarks of their respective owners. All patents are protected under existing designations. Other patents pending.



Milestone AV Technologies is home of Chief, Da-Lite, Sanus and Projecta. Across these brands, Milestone produces a wide range of innovative audiovisual solutions.